

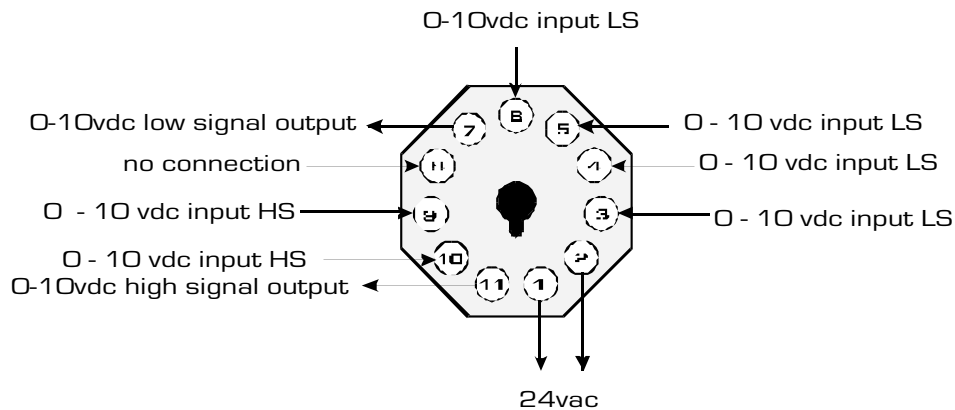


LSS / HSS

specifications:

input control signals:	0-10vdc (up to 4 signal max)
output:	0-10 vdc low signal
output impedance:	10K ohms
base:	11 pin

connections:



	terminals
1	common
2	24vac supply
3	0-10vdc input LS
4	0-10vdc input LS
5	0-10vdc input LS
6	0-10vdc input LS
7	0-10vdc low signal output
8	no connection
9	0-10vdc input HS
10	0-10vdc input HS
11	0-10vdc high signal output

