

### Model

**HRC20**

### Description

The HRC20 is a wall mounted humidistat capable of monitoring and controlling relative humidity for applications using a room distribution system. Its primary function is to act as a room sensor for On/Off humidifiers.

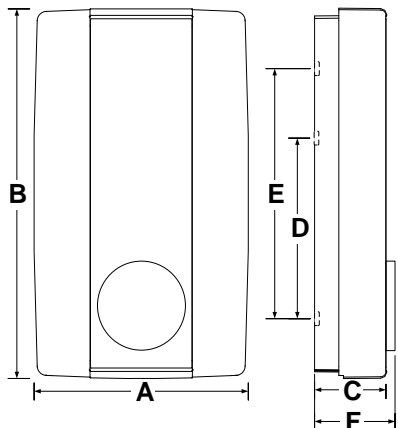
### Features

- On-board setpoint adjustment (10 to 60%RH)
- Built-in humidity sensor
- Plastic cover for wall mount installation
- 24Vac or 24Vdc
- 1 dry contact output (normally open)



**HRC20**

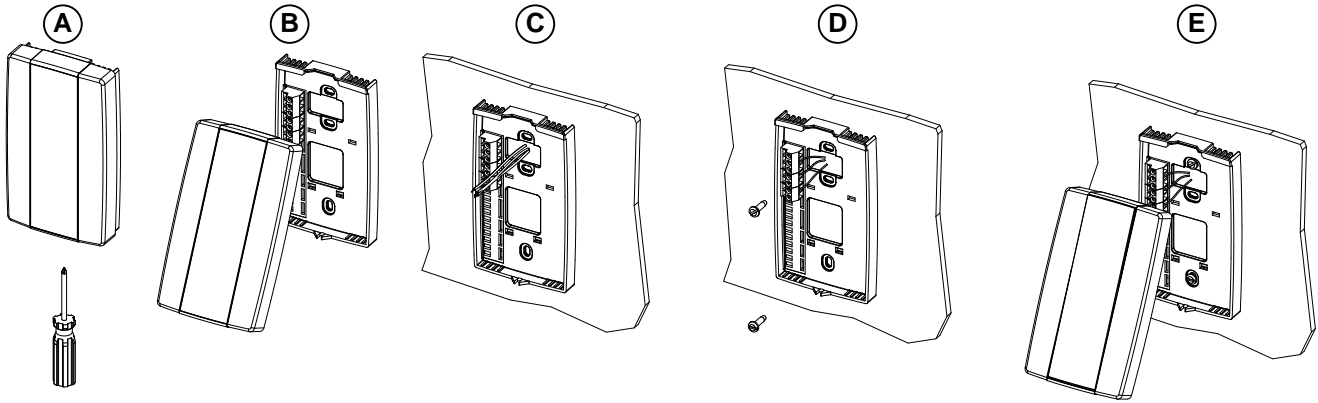
### Technical Specifications

| Specifications  | HRC20   |
|---|---|
| Power supply  | 24 Vac or Vdc $\pm 10\%$  |
| Power consumption   | 1 VA  |
| Electrical connection   | 0.8 mm <sup>2</sup> [18 AWG] minimum  |
| Humidity sensor precision   | $\pm 3\%$ at 40 %RH and 23°C [73°F]   |
| Setpoint range  | 10 to 60 %RH  |
| Operating temperature   | 32°F to 104°F [0°C to 40°C]   |
| Storage temperature   | 14°F to 122°F [-10°C to +50°C]  |
| Relative humidity   | 0 to 95 %RH   |
| Enclosure protection  | IP 30 (EN 60529)  |
| Weight  | 0.13 lb [60 g]  |
| Dimensions<br>A = 2.85" (72mm)<br>B = 4.85" (123mm)<br>C = 1.00" (25mm)<br>D = 2.36" (60mm)<br>E = 3.27" (83mm)<br>F = 1.02" (26mm) |  |

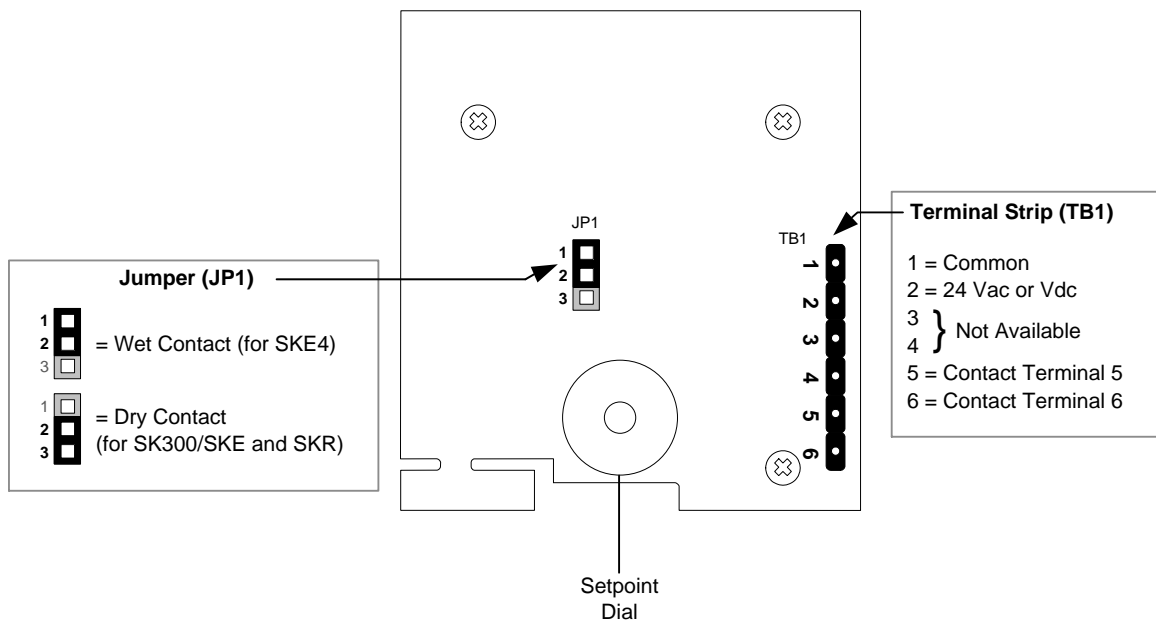
### Mounting Instructions

**⚠ CAUTION: Remove power to avoid a risk of malfunction.**

- Remove the captive screw that's holding the base and the front cover of the unit together.
- Lift the front cover of the unit to separate it from the base.
- Pull all wires through the holes in the base.
- Secure the base to the wall using wall anchors and screws (supplied). Make the appropriate connections.
- Mount the front cover on the base and secure using the screw.



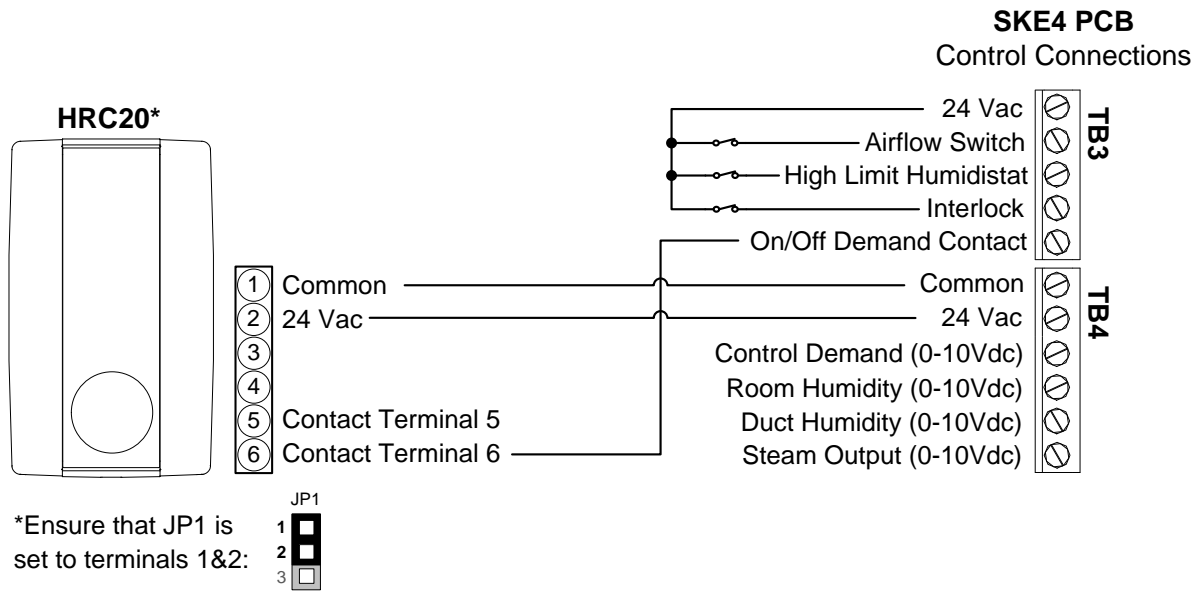
### PCB Overview



## Wiring Diagrams

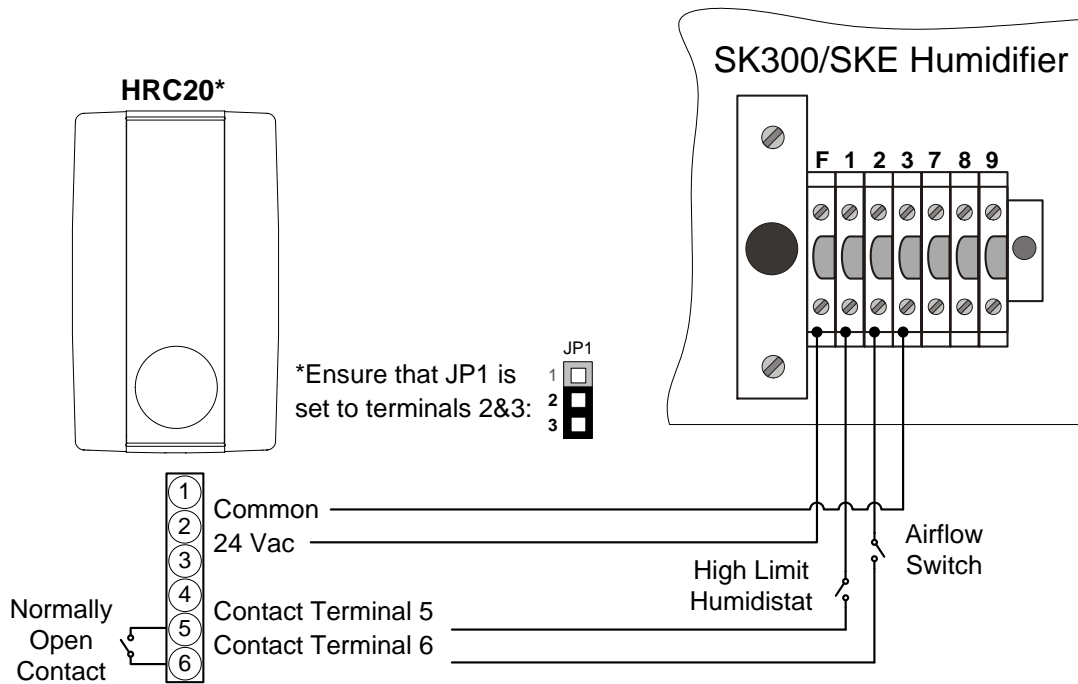
### On/Off SKE4 Humidifier

#### Standard Field Wiring



### On/Off SK300/SKE Humidifier

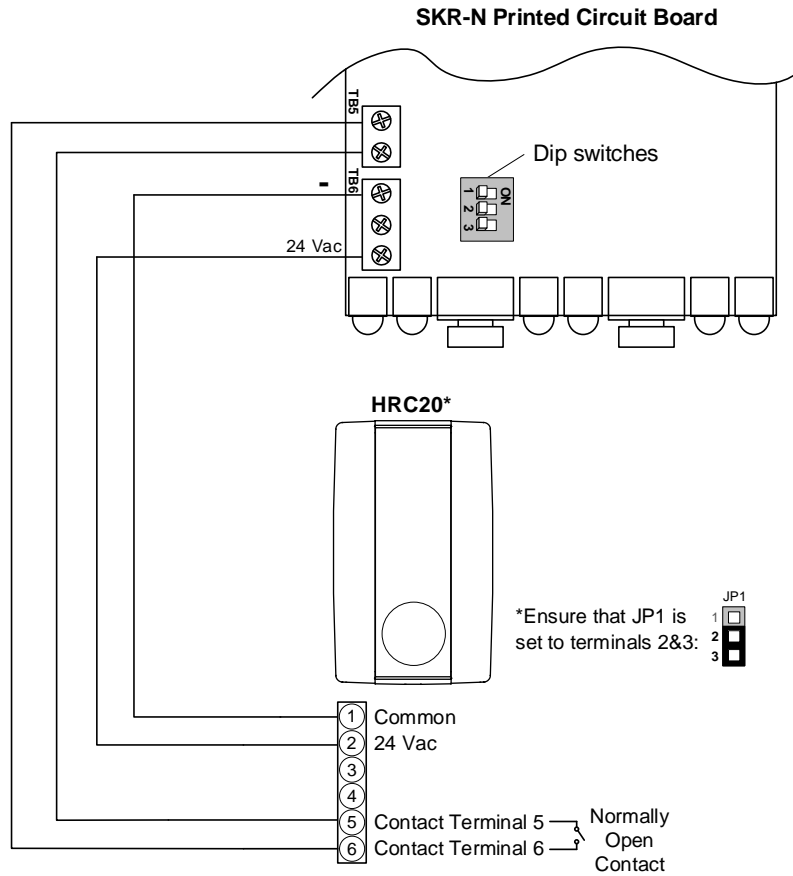
#### Standard Field Wiring





### On/Off SKR Humidifier - Kit N (North America)

#### Standard Field Wiring



### On/Off SKR Humidifier - Kit N (Europe)

#### Standard Field Wiring

