

Model

SHS20

Description

The SHS20 is a wall mounted high limit humidistat capable of monitoring and controlling relative humidity for applications using a room distribution system. Its primary function is to act as an On/Off high limit protection for humidifiers equipped with a space distribution unit (SDU).

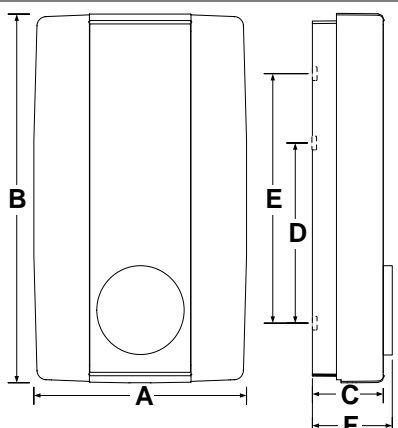
Features

- On/Off high limit humidistat with on-board setpoint adjustment (20 to 90%RH)
- Built-in humidity sensor
- Plastic cover for wall mount installation
- 24Vac or 24Vdc
- 1 dry contact output (normally open)



SHS20

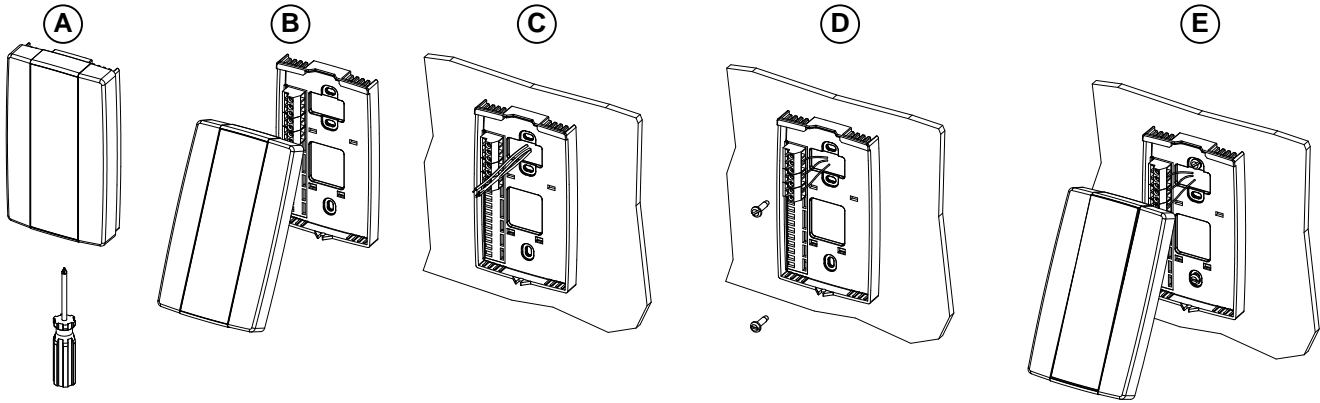
Technical Specifications

Specifications	SHS20
Power supply	24 Vac or Vdc $\pm 10\%$
Power consumption	1 VA
Electrical connection	0.8 mm ² [18 AWG] minimum
Humidity sensor precision	$\pm 3\%$ at 40 %RH and 23°C [73°F]
High limit setpoint range	20 to 90 %RH
Operating temperature	32°F to 104°F [0°C to 40°C]
Storage temperature	14°F to 122°F [-10°C to +50°C]
Relative humidity	0 to 95 %RH
Enclosure protection	IP 30 (EN 60529)
Weight	0.13 lb [60 g]
Dimensions A = 2.85" (72mm) B = 4.85" (123mm) C = 1.00" (25mm) D = 2.36" (60mm) E = 3.27" (83mm) F = 1.02" (26mm)	

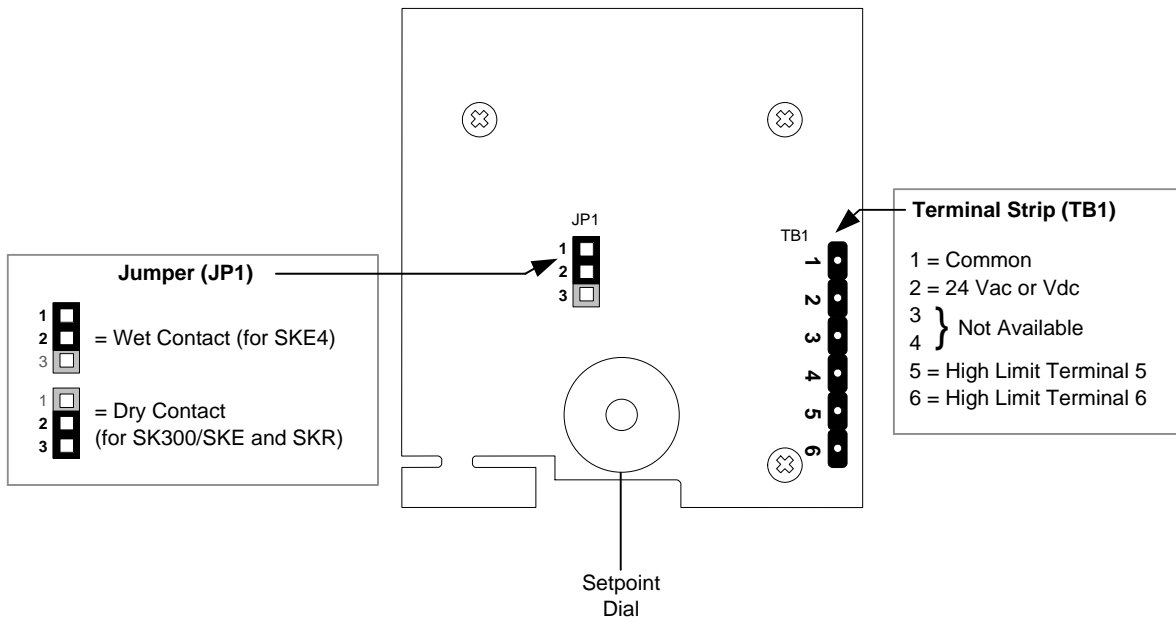
Mounting Instructions

CAUTION: Remove power to avoid a risk of malfunction.

- Remove the captive screw that's holding the base and the front cover of the unit together.
- Lift the front cover of the unit to separate it from the base.
- Pull all wires through the holes in the base.
- Secure the base to the wall using wall anchors and screws (supplied). Make the appropriate connections.
- Mount the front cover on the base and secure using the screw.



PCB Overview

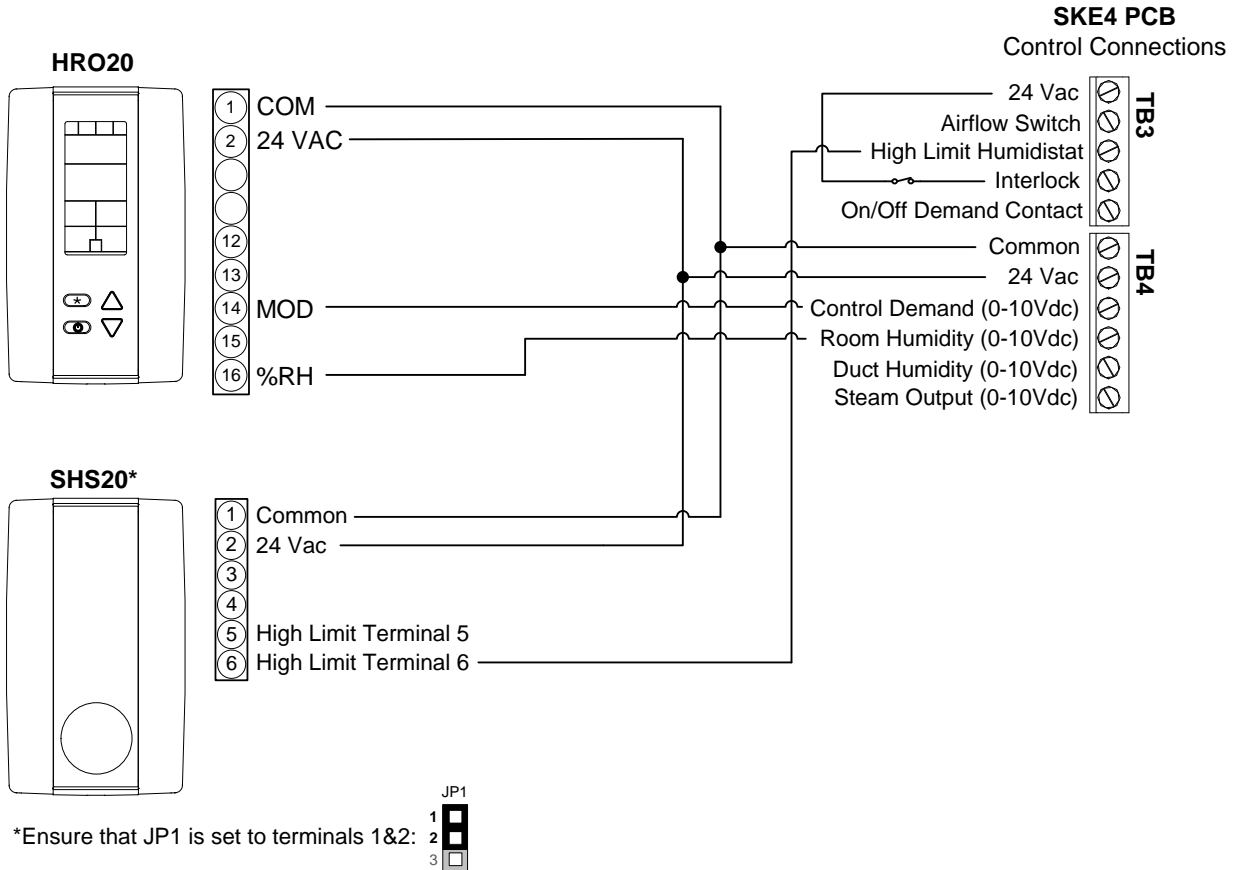


Wiring Diagrams

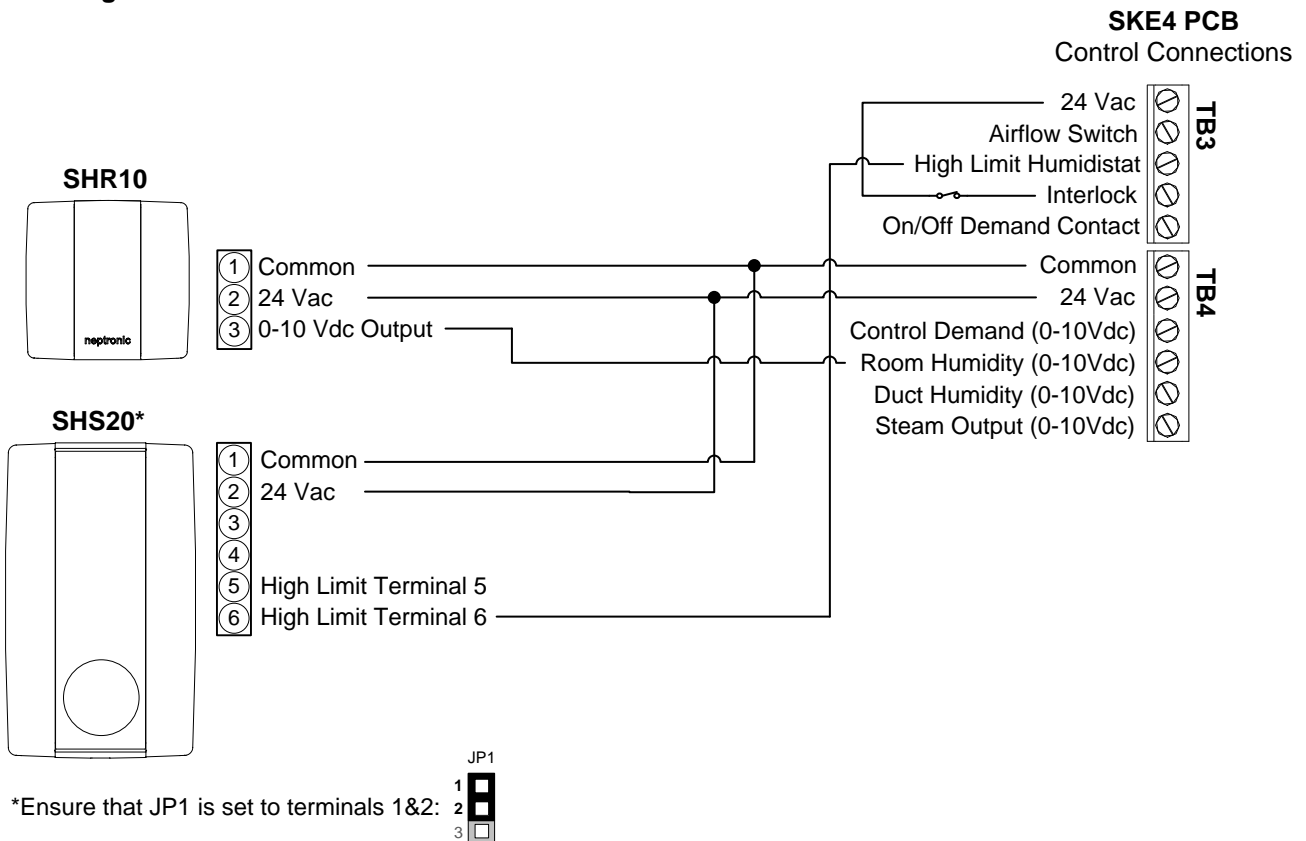
SKE4 Humidifier

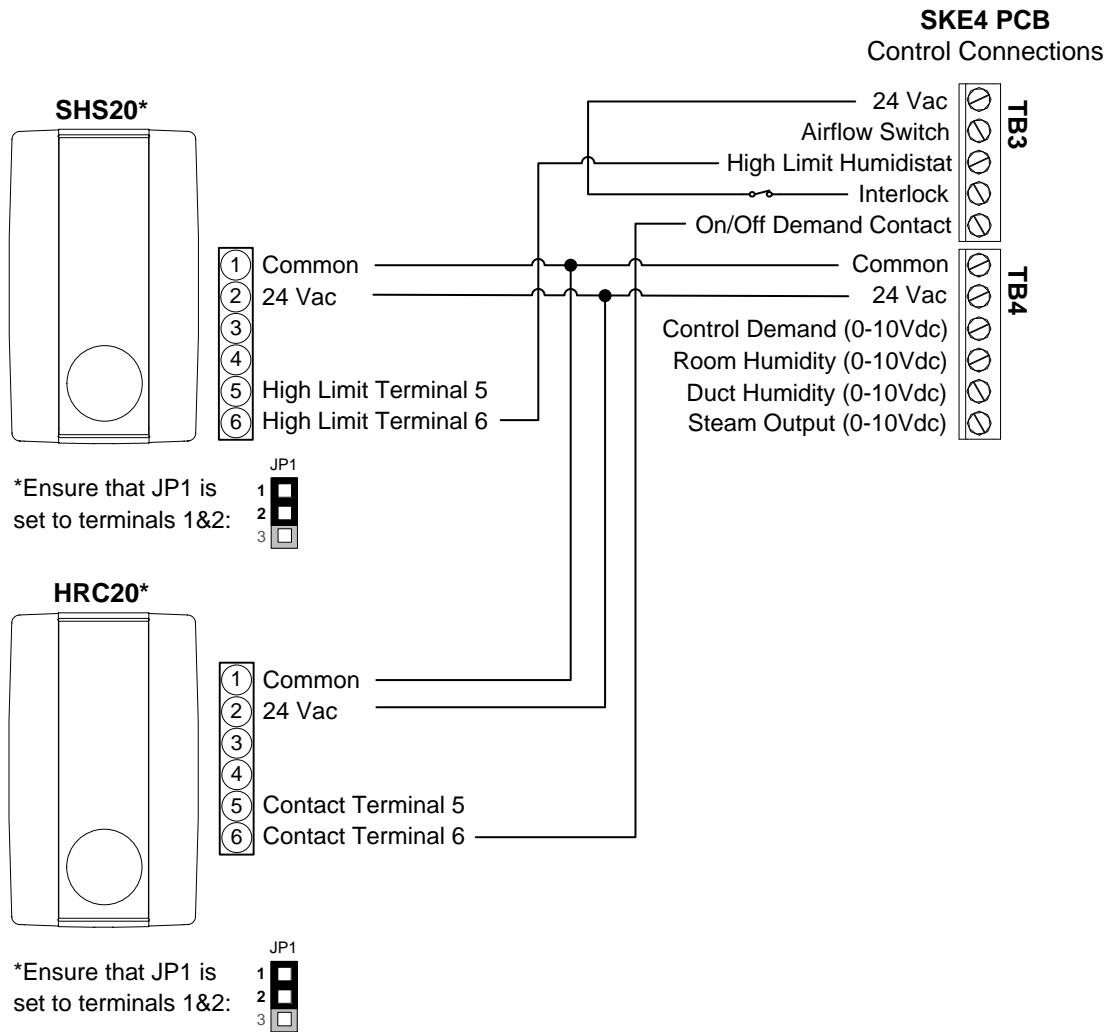
Modulating SKE4 Humidifier

Field Wiring with HRO20



Field Wiring with SHR10

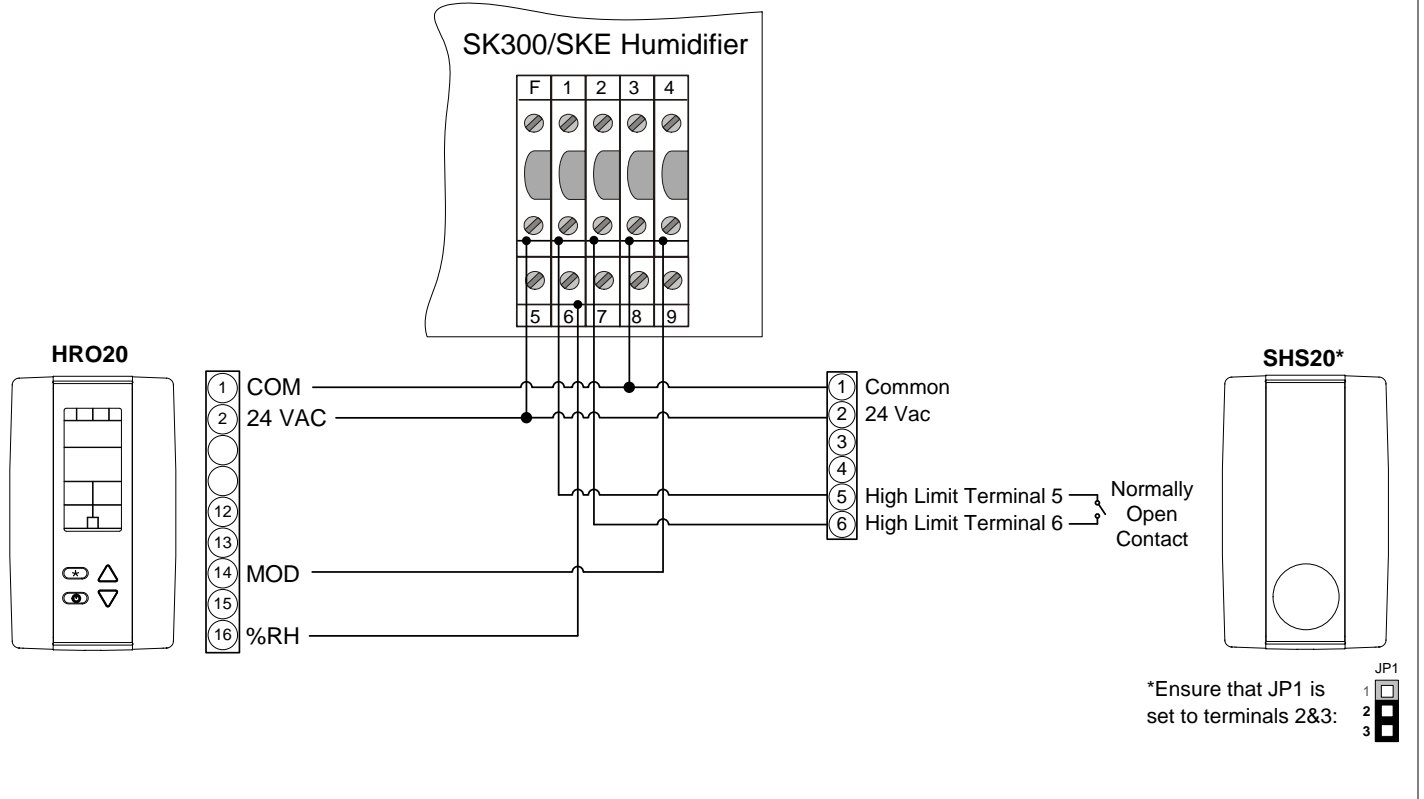


On/Off SKE4 Humidifier
Field Wiring with HRC20


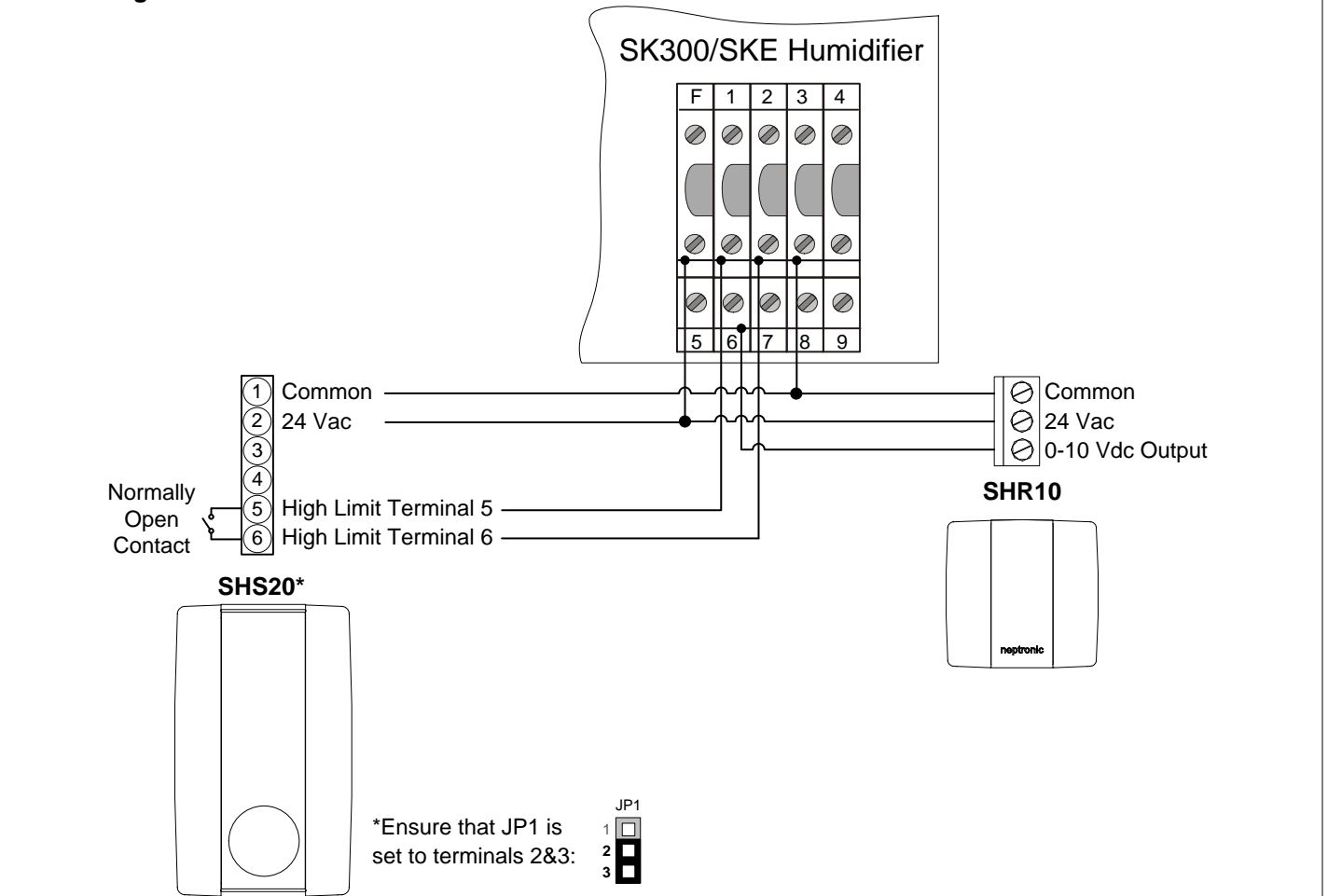
SK300/SKE Humidifier

Modulating SK300/SKE Humidifier (Standard)

Field Wiring with HRO20

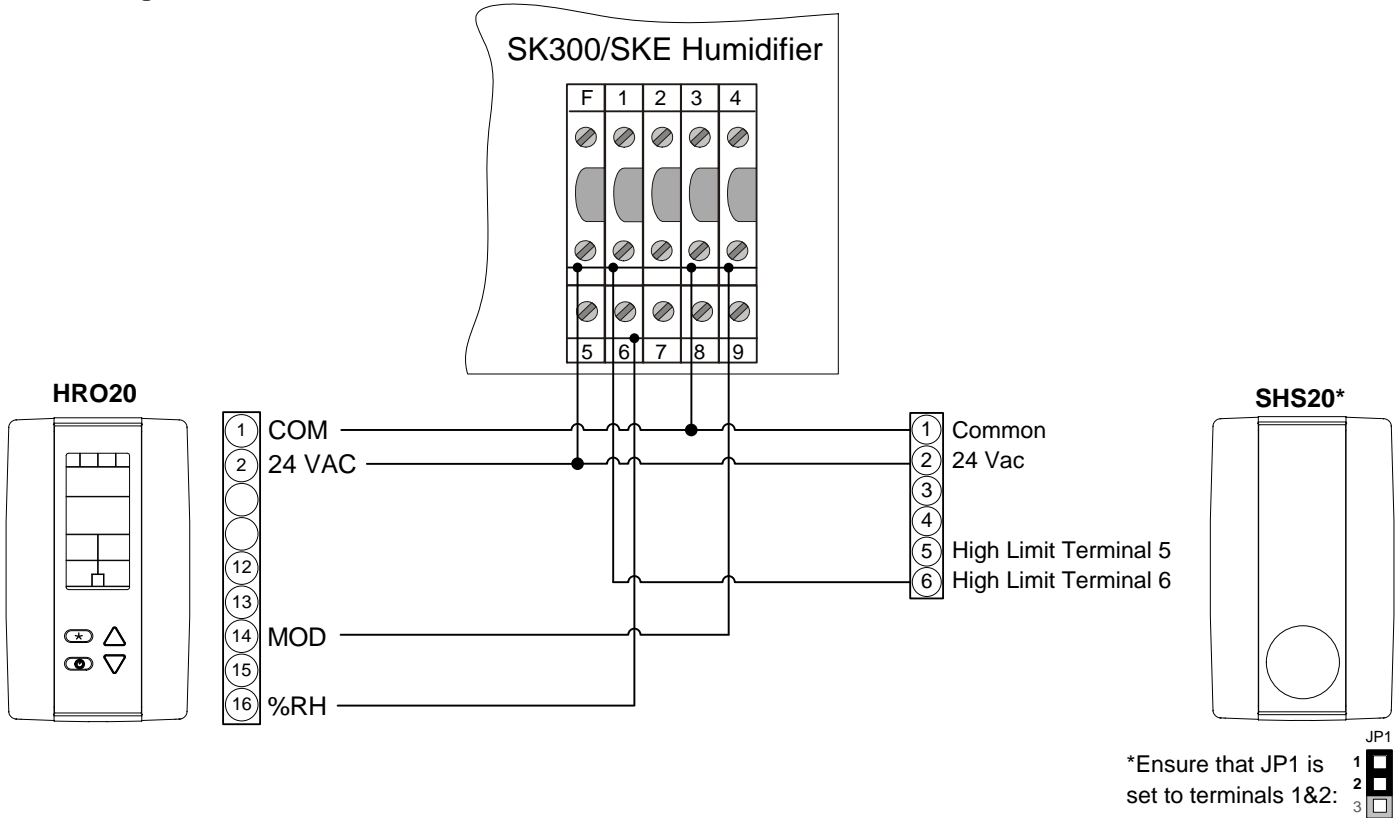


Field Wiring with SHR10

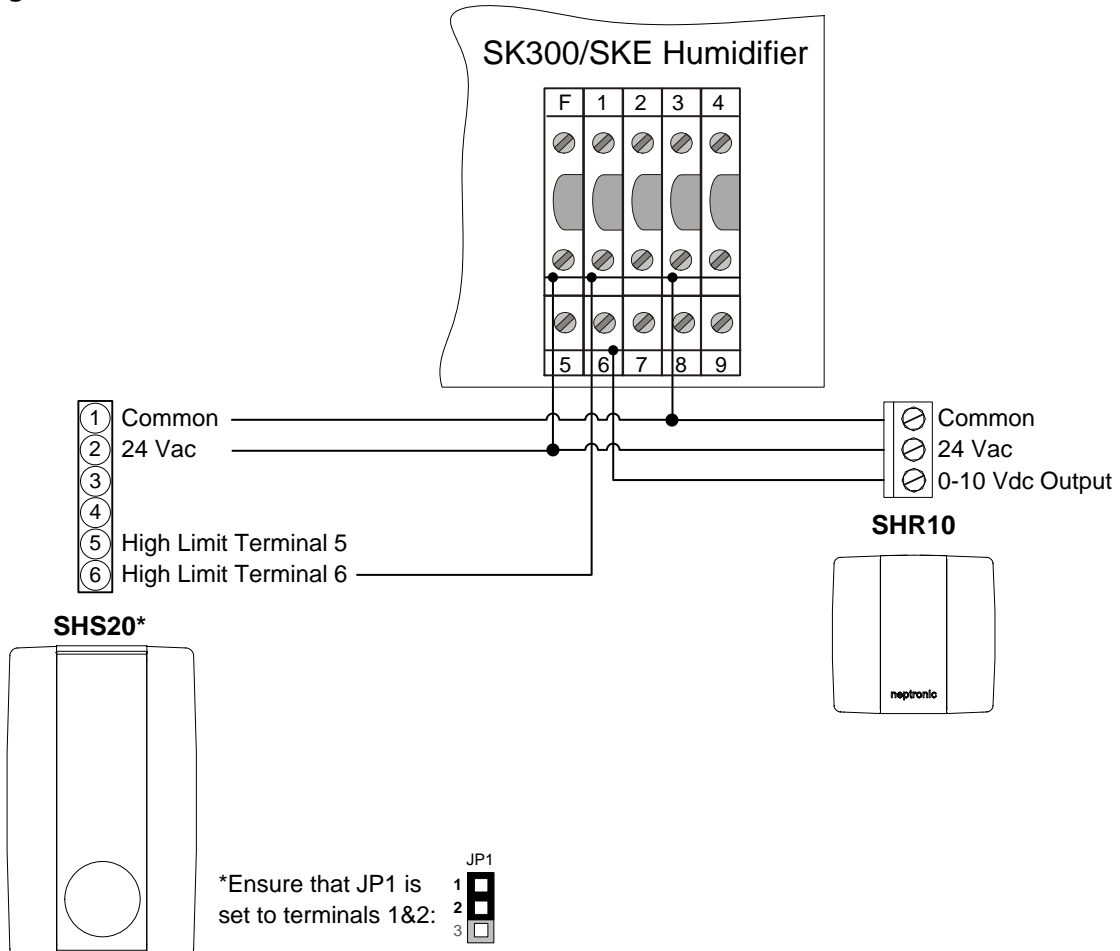


Modulating SK300/SKE Humidifier (BACnet)

Field Wiring with HRO20



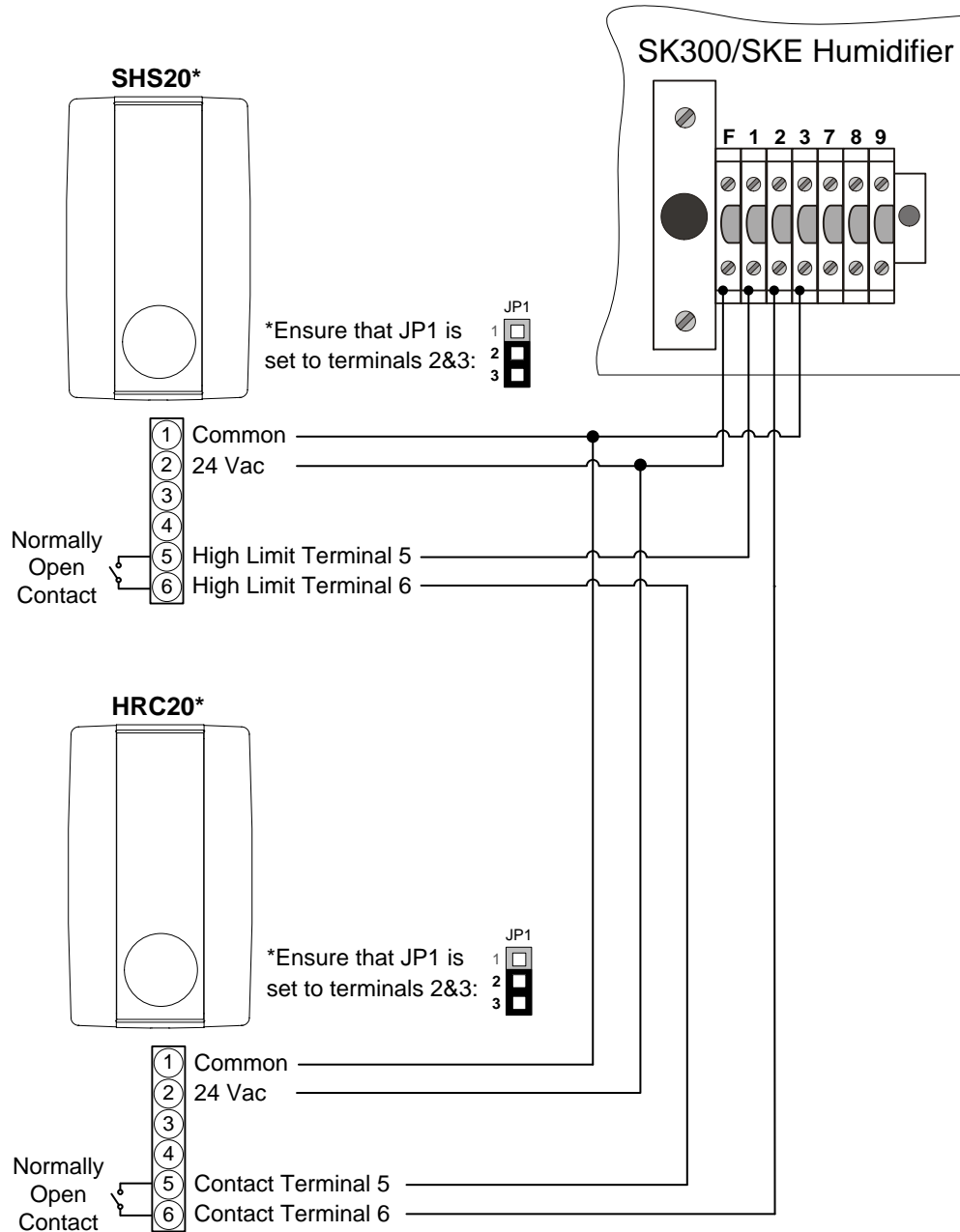
Field Wiring with SHR10





On/Off SK300/SKE Humidifier

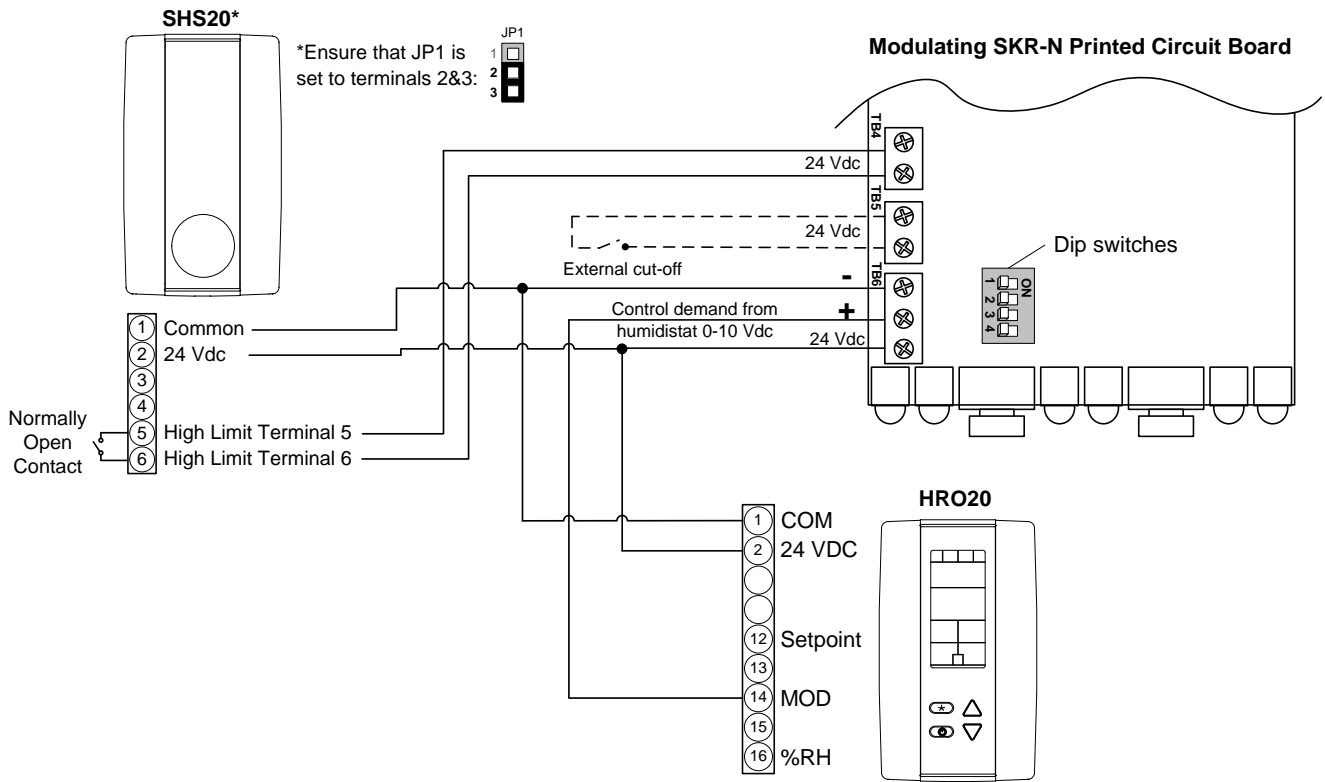
Field Wiring with HRC20



SKR Humidifier

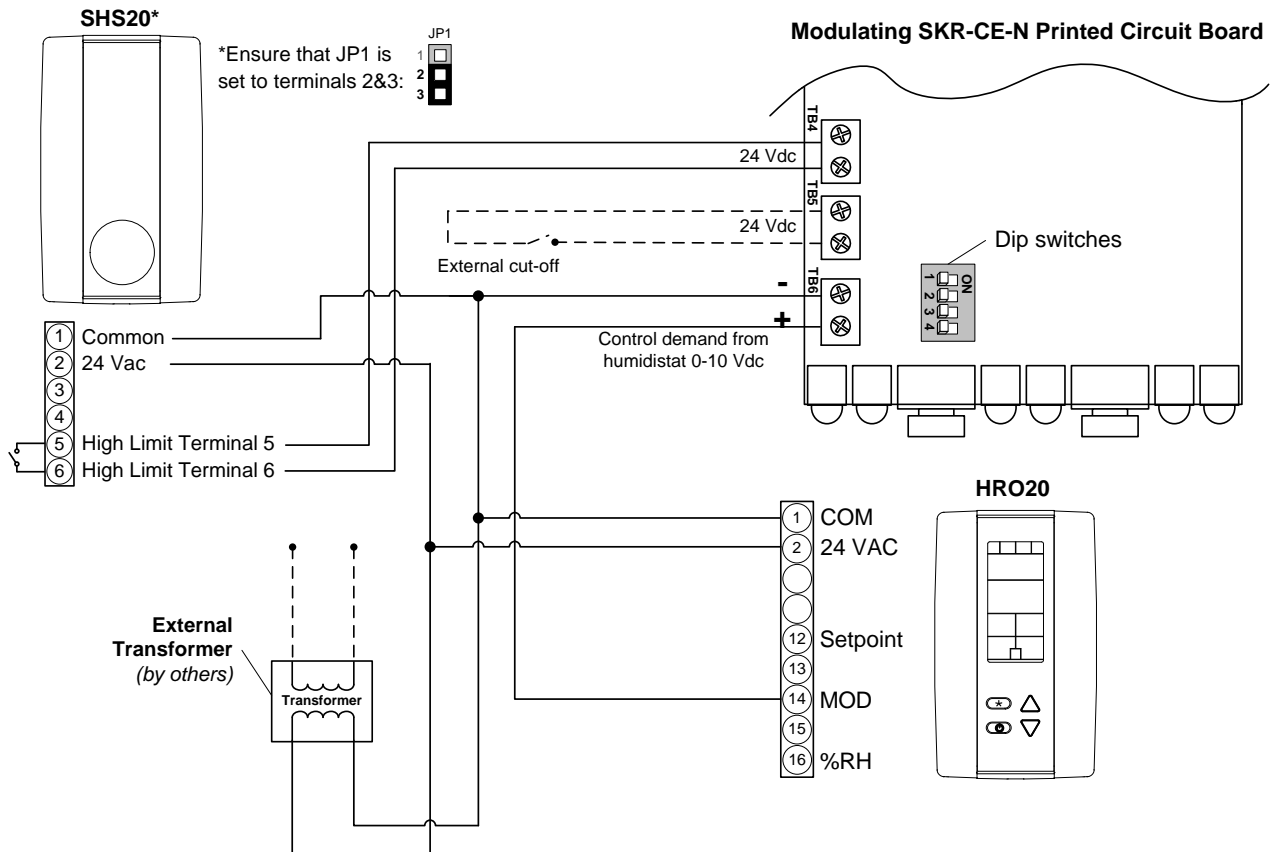
Modulating SKR Humidifier - Kit N (North America)

Field Wiring with HRO20



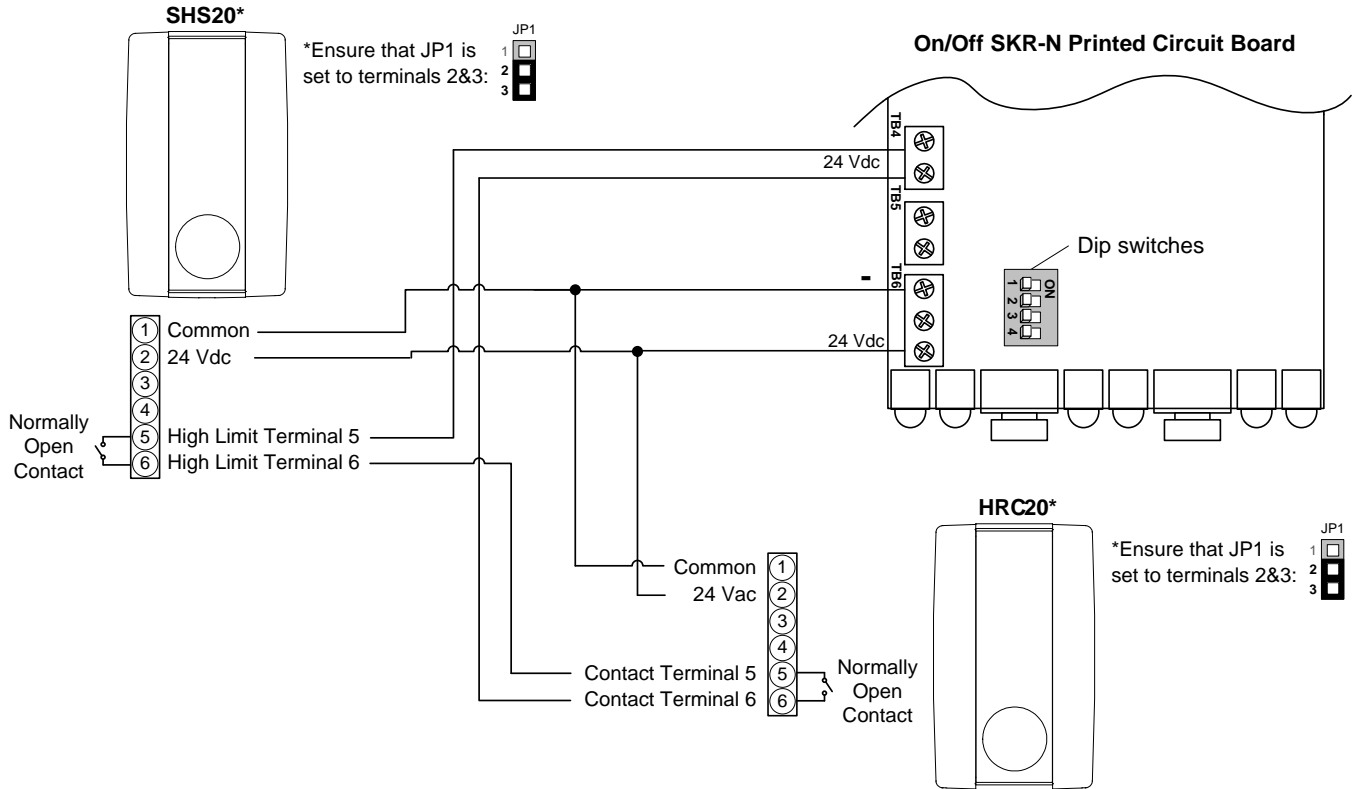
Modulating SKR Humidifier - Kit N (Europe)

Field Wiring with HRO20



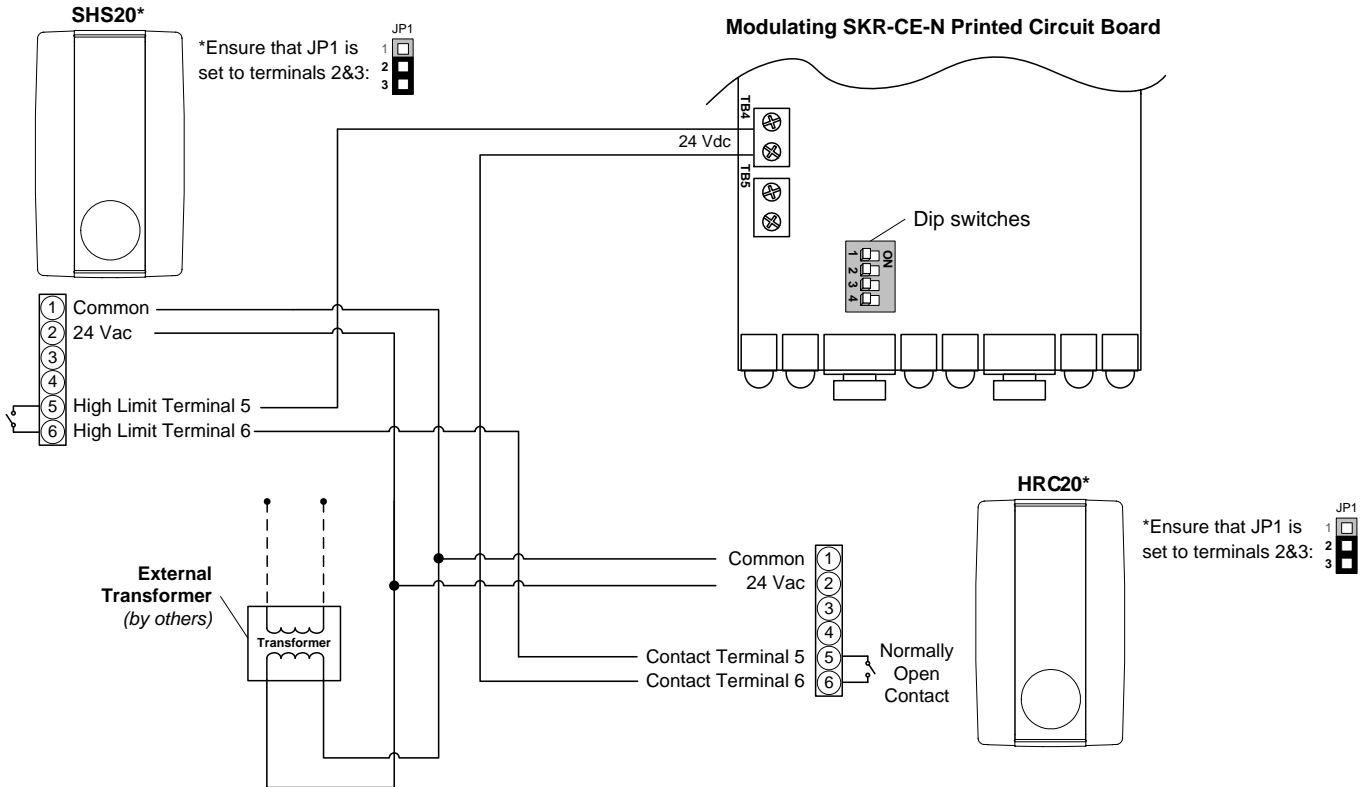
On/Off SKR Humidifier - Kit N (North America)

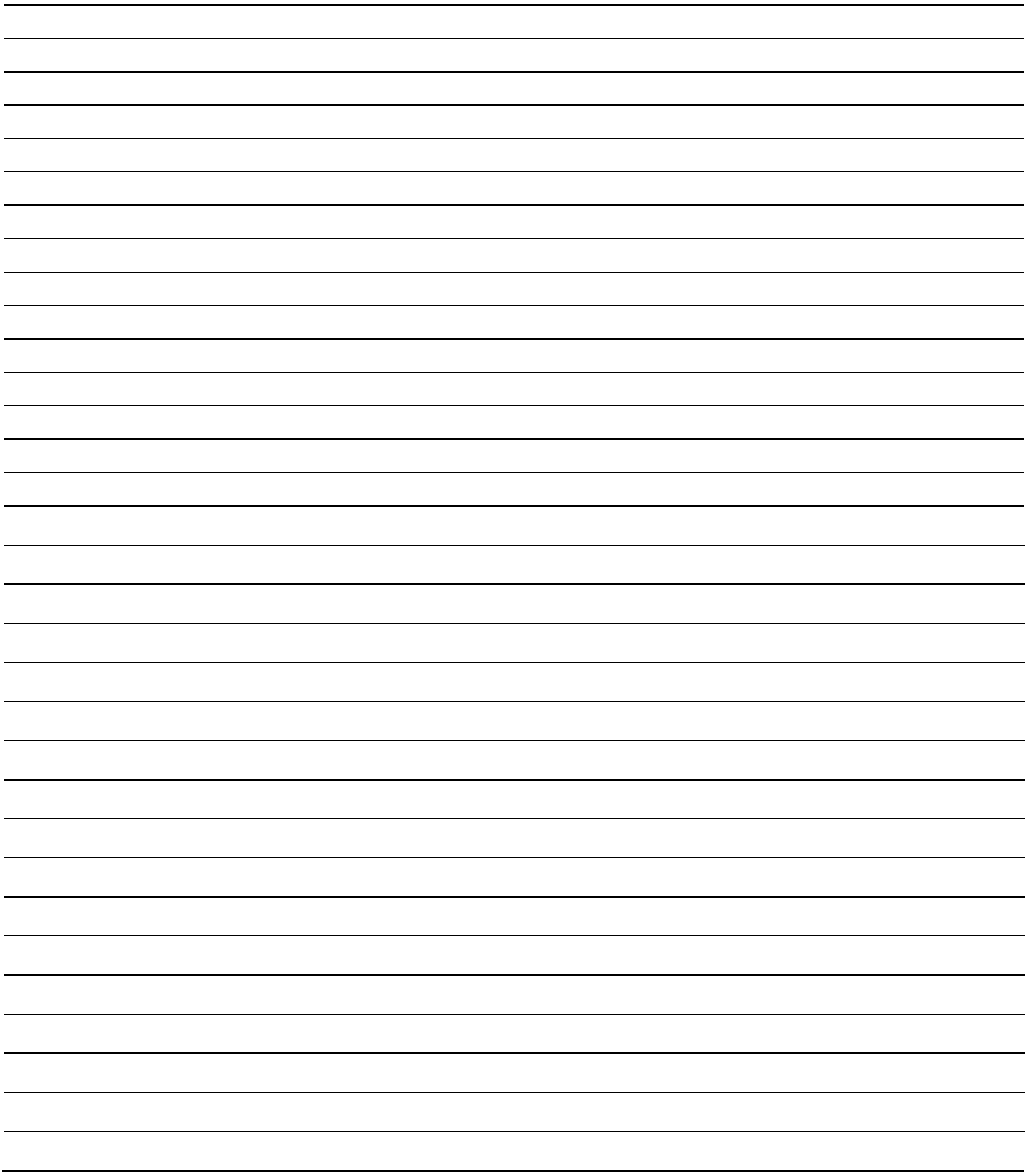
Field Wiring with HRC20



On/Off SKR Humidifier - Kit N (Europe)

Field Wiring with HRC20







Recycling at end of life: please return this product to your Neptronic local distributor for recycling. If you need to find the nearest Neptronic authorized distributor, please consult www.neptronic.com.



neptronic[®]

400 Lebeau Blvd, Montreal, Qc, H4N 1R6, Canada

www.neptronic.com

Toll free in North America: 1-800-361-2308

Tel.: (514) 333-1433

Fax: (514) 333-3163

Customer service fax: (514) 333-1091

Monday to Friday: 8:00am to 5:00pm (Eastern time)