



SHR10

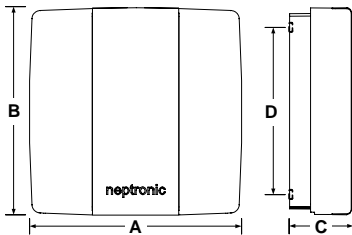


Feature:

- Humidity sensor
- Plastic cover for wall mount installation
- Can be installed in association with Neptronic® room (HRO20) humidistat or directly to the Neptronic® SK300 / SKE Series Steam humidifier (prg. rev. 3.3).

Technical Data	SHR10
Power supply	24 VAC or VDC +/-10%
Power consumption	1 VA
Electrical connection	18 AWG minimum
Actual humidity output	0-10 VDC (0-100% R.H.)
Sensor precision	+/- 3% or better at 40% R.H. and 73°F [23° C]
Operating temperature	32°F to 104°F [0° C to 40° C]
Storage temperature	14°F to 122°F [-10° C to +50° C]
Relative Humidity	0 to 95 % R.H.
Weight	0.13lb [60g]

Dimensions



Dimension	Inches	Metric (mm)
A	3.00	78
B	3.00	78
C	1.00	24
D	2.36	60

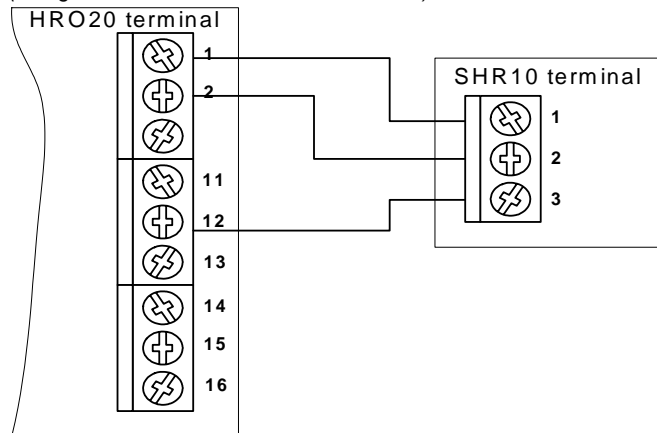
Description of terminal

- ① Common
- ② 24 Vac or Vdc
- ③ 0-10 Vdc output (0-100%RH)
- ④ 0-10 Vdc output (0-100°C)

Wiring Diagrams

Connection to HRO20

(Along with SK300 or SKE series Humidifier)



NOTE: When using the HRO20 with a remote sensor, the remote set point feature will be disabled on the HRO20.

Connection to SK300 / SKE

