

### Models

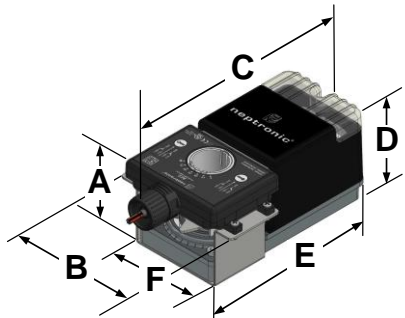
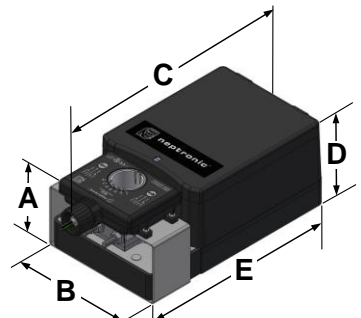
**AC2-B:** Auxiliary switches for C, D, B and S actuators.

**AC2-T:** Auxiliary switches for L, T and R actuators.

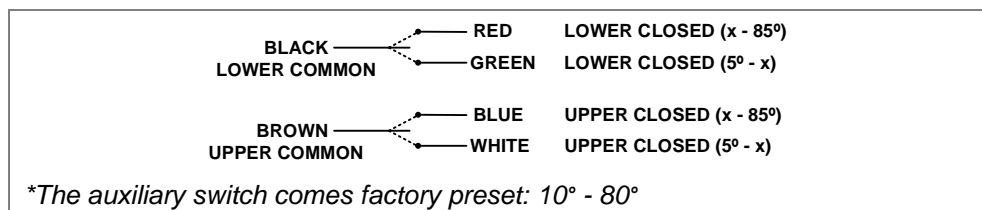


AC2 Series

### Technical Specifications

Description	AC2-B	AC2-T
Actuator Compatibility	Neptronic C, D, B and S series actuators	Neptronic L, T and R series actuators
Power Supply	125VAC, 5A Resistive or 250VAC, 3A Resistive	
Cable	6/18" FT1 appliance cable (18AWG) with 1/2" conduit connector	
Electrical Connection	18 AWG [0.82mm <sup>2</sup> ], 39.5" (1m) long	
Purpose and Action of Control	Type 1 operating control	
Construction of Control	Independently mounted, accessory	
Pollution Degree	2	
Impulse Voltage	4000V	
Dimensions with AC2-B:		
A = 3.0"   76 mm B = 4.5"   114 mm C = 8.0"   203 mm D = 3.2"   81 mm E = 6.5"   165 mm F = 3.6"   91 mm		
Dimensions with AC2-T:		
A = 3.7"   94 mm B = 5.3"   135 mm C = 10.7"   272 mm D = 3.6 or 3.8"   91 mm or 97 mm E = 9.1"   231 mm		

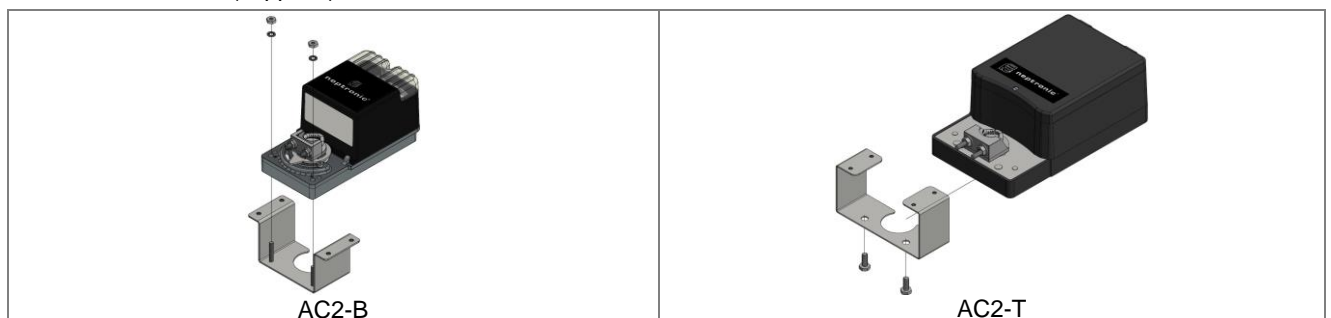
### Wiring Diagram



### Mounting Instructions

1. **For AC2-B:** Screw the actuator onto the bracket using the two nuts (supplied).

**For AC2-T:** Slide the bracket onto the actuator and secure it by inserting the two bolts from the bottom into the threaded holes of the actuator (supplied).



- Using the four screws (supplied), secure the auxiliary switch onto the bracket. Ensure that the actuator adaptor is properly aligned with the auxiliary adaptor.



### Actuator Positioning

- Using a flathead screwdriver, turn the left arrow on the auxiliary switch so that the arrowhead is aligned with the arrow on the wiring diagram.
- Turn the dial on the auxiliary switch to the desired position for the actuator lower contact.



- Using a flathead screwdriver, turn the right arrow on the auxiliary switch so that the arrowhead is aligned with the arrow on the wiring diagram.
- Turn the dial on the auxiliary switch to the desired position for the actuator upper contact.



Recycling at end of life: please return this product to your Neptronic local distributor for recycling. If you need to find the nearest Neptronic authorized distributor, please consult [www.neptronic.com](http://www.neptronic.com).