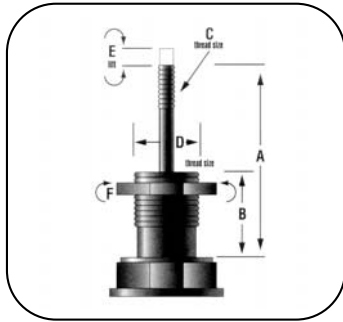
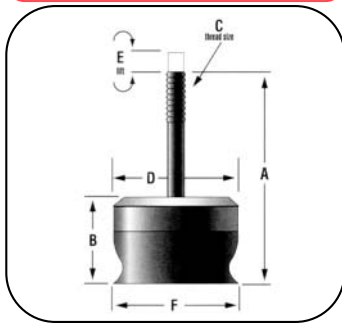


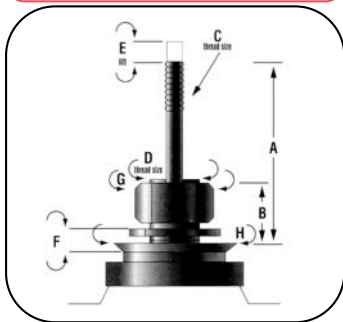
Drawing No. 1



Drawing No. 2



Drawing No. 3



Drawing No. 4



Please provide the following information so we may best match the linkage and actuator for your needs.



Drawing No.: _____

Manufacturer: _____

Model No.: _____

Valve Size: _____

Valve Body: _____

2 Way  or 3 Way 

Actuator: ON/OFF MODULATING

3 POINT FLOATING FAIL-SAFE

Torque Required: _____ (in. lbs.)

Quantity: _____

Notes: _____

DIMENSIONS: A = _____ B = _____

C = _____ D = _____

Number of Threads per inch (stem): _____

If "D" is threaded - thread size: _____

E = _____ F = _____

G = _____ H = _____

I = _____ J = _____

Please use a separate form for each valve if the information is different for valve size or manufacturer. Please fill out form completely. Redraw as Fig. 4 (Draw your own!) if necessary.



A = Height with stem DOWN B = Height of the neck

C = Stem diameter D = Valve Bonnet diameter

E = Height with stem UP F,G,H,I = Neck dimensions

Please provide the following dimensions so we may best match the linkage and actuator for your needs. Dimensions should be measured in inches and closest to 0.001 inch.

SECTION 1

Valve Size: _____
 Manufacturer: _____
 Model No.: _____
 Valve Style: _____
 2 Way  or 3 Way 
 ON/OFF 3 POINT FLOATING
 MODULATING
 Torque Required: _____ (in. lbs.)
 Quantity: _____

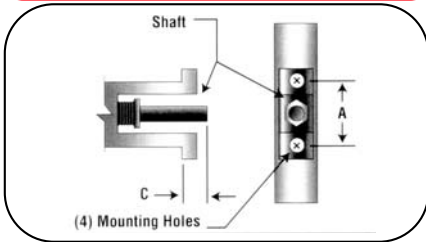
SECTION 2

Mounting Configuration: _____
Select Mounting Configuration from below 1B-1C.
 Dimensions:
A = _____ B = _____ C = _____
 Are mounting holes drilled and tapped?
 YES NO
 IF "YES" - Bolt Size: _____
 Threads/inch: _____
 IF "NO" - Hole Diameter: _____

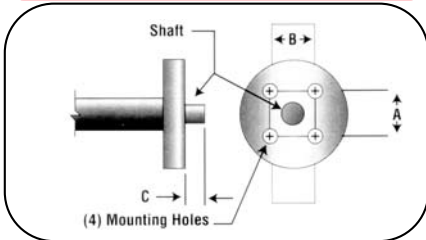
SECTION 3

Shaft Type: _____
Select Shaft Type from below. (2A-2E)
 Dimensions: **D = _____ E = _____**
 F = _____ G = _____ H = _____
 Dimension "F" (keywayed, flattened, pinned) is:
 PERPENDICULAR
 PARALLEL *to disc. (Check one)*
 Notes: _____

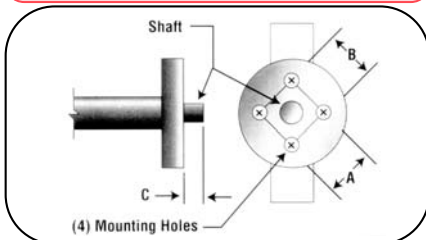
Mounting Configuration: 1A



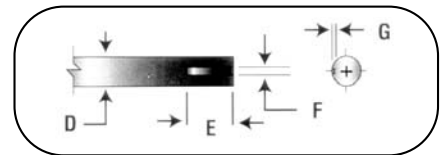
Mounting Configuration: 1B



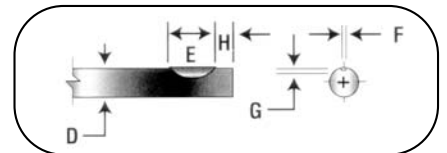
Mounting Configuration: 1C



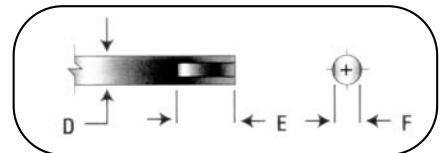
**Shaft Type: 2A
(KEYWAYED)**



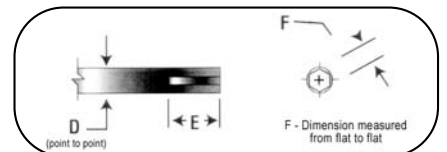
**Shaft Type: 2B
(WOODDRUFF KEY)**



**Shaft Type: 2C
(FLATTED)**



**Shaft Type: 2D
(HEXED)**



**Shaft Type: 2E
(PINNED)**

