



neptronic® Remote set point controller for SKR Installation instruction



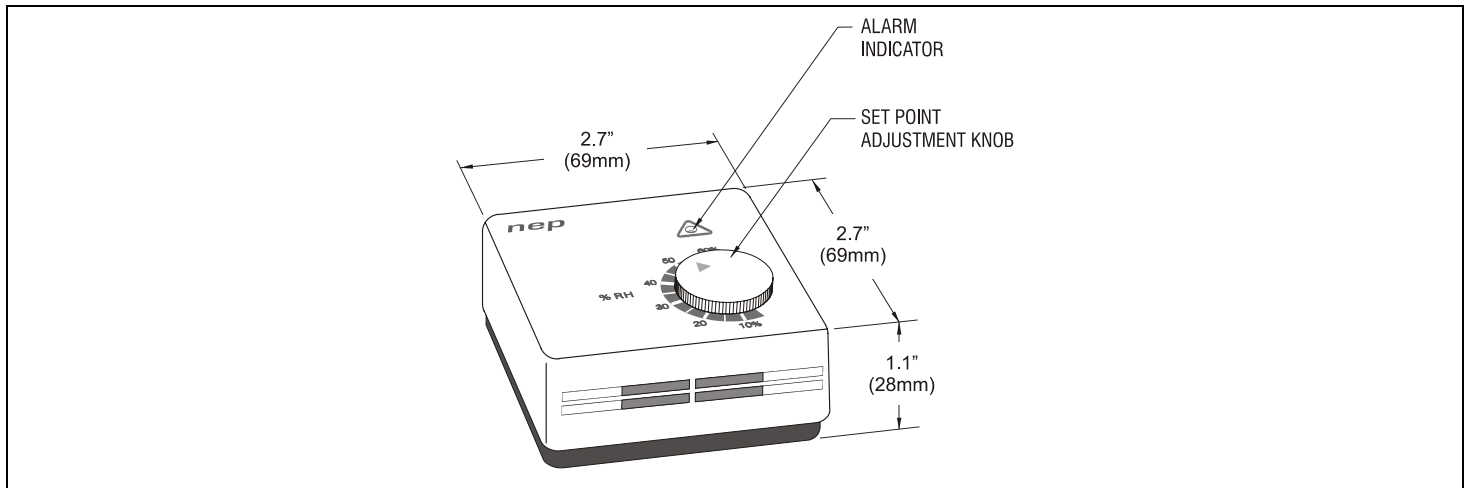
Feature:

- Remote set point controller
- Mounting plate for wall mount installation

SRR100

Technical Data	SRR100
Connection	Use the cables with jack connectors provided by Neptronic®
Operating temperature	32°F to 104°F [0° C to 40° C]
Storage temperature	14°F to 122°F [-10° C to +50° C]
Relative Humidity	0 to 95 % R.H.
Set point adjustment	0 to 70 % R.H.
Alarm Status	See SKR series Steam Humidifier Installation instructions & user manual section 16 – Type of alarm
Installation	Install the SRR100 on a wall.
Weight	0.13lb [60g]

Dimensions



Wiring Diagrams

Connection to HRD100 duct humidity controller

Connect the wall set point controller (SRR100) with a cable (included with the humidifier) to the phone jack connector on the HRD100 duct humidity controller.