



neptronic®

Gas Fired Humidifier

SKG4-N Series

Installation Instructions and User Manual



READ AND SAVE THESE INSTRUCTIONS



Intertek
4011008

Safety

What To Do If You Smell Gas!



Do not try to light any appliance.

Do not touch any electrical switch; do not use any telephone in your building.

Immediately call your gas supplier from an off-site telephone.

Follow the gas supplier's instructions.

If you cannot reach your gas supplier, call the fire brigade.

Gas

Before installation, check that the local distribution conditions, nature of gas and pressure, and the current state adjustment of the appliance are compatible.

Improper installation, adjustment, alteration, service, maintenance or use can cause carbon monoxide poisoning, explosion, fire, electrical shock or other conditions which may cause personal injury or property damage.



This appliance **MUST** be used only in sufficiently ventilated space. Consult instructions before installation and use of this appliance

Installation and service **MUST** be performed by a qualified gas installer, service agency, or the gas supplier.

Ensure that local regulations concerning the provision of gas installations are followed.

Electricity



All work concerned with electrical installation **MUST** only be performed by skilled and qualified technical personnel, such as an electrician or a technician with appropriate training. The customer is always responsible for ensuring the suitability of the technical personnel.

Ensure that the local regulations concerning the provision of electrical installations are followed.

Health and Safety

Neptronic has considered the aspects of the design of their humidification systems to reduce as much as possible the risk of Legionnaires' disease and other similar conditions, but it is important that users are also aware of their responsibilities under Health and Safety regulations in reducing the risk of legionellosis.

To prevent the growth of Legionella, users are required to:

- Avoid water temperature that favours the growth of Legionella 68-113°F (20-45°C).
- Avoid water stagnation.
- Clean and disinfect the humidification system in accordance to Health and Safety regulations and enclosed instructions.
- Have a competent person carry out a risk assessment of the water system supplying the humidifier, to ensure that the water supply is of an acceptable quality.

Correct Use

Neptronic systems and products are designed only for humidification use.

Any other application is not considered as usage for the intended purpose. The manufacturer cannot be made liable for any damage resulting from incorrect use.



Access

The SKG4 cabinet keys **MUST** never be left in the door locks, as this may cause unauthorized access to live electrical parts. Always store keys centrally with a nominated responsible person.

Water

Neptronic systems are designed to be used with tap, reverse osmosis or deionized water. On no account must any other fluids or chemicals be introduced into the system without first consulting Neptronic or its authorized distributor.

Water supply must not exceed the max pressure of 70 psig (480kPa) or pressure limits laid out in the specification and installation must comply with local regulations. Your attention is drawn to your responsibilities as outlined in the Health and Safety regulations. The control of Legionella bacteria in water systems and your SKG4 humidifier must be included in the risk assessment of the water system in your building as a whole. In particular, if the humidifier is turned off for prolonged periods, you must ensure that the unit is drained and that stagnation is avoided in pipe work supplying it.

A competent individual or organization must be appointed to carry out water tests. A wide range of different tests are available to identify the presence of microbes in water, including total viable count (TVC), temperature-range specific tests and identification of particular species types including Legionella. It is the responsibility of the person on whom the statutory responsibility falls to determine the type and frequency of this and all other controls and preventative measures outlined in this manual.

Foreword

Neptronic Company Overview

Founded in 1976, we're a private corporation that designs, manufactures and distributes products for the HVAC industry. Our product line includes intelligent controllers, electronic actuators, actuated valves, humidifiers and electric heaters.

Our products are designed and manufactured by over 250 dedicated employees in our 80,000 ft² (7,500 m²) state-of-the-art facility located in Montreal, Canada. Using a vertical integration model, our entire manufacturing chain is under one roof, from software and hardware development, to SMT circuit board assembly, to sheet metal fabrication, to product testing, ensuring that our products are engineered to last.

We currently hold several national and international patents and with our continued commitment to research and development, we provide innovative products and technologies for the ever-evolving challenges of the HVAC industry. Exporting over 70% of our sales, we have an exclusive distribution network around the globe that provides comprehensive solutions to our worldwide customers.

About the Manual

These installation and operation instructions have been developed to facilitate the installation of the SKG4 humidifier.

- The strict application of these instructions will ensure the conformity of your installation and operation as per the manufacturer's recommendations.
- The application of these instructions is one of the conditions for the application of the warranty.
- The application of these instructions does not ensure, at any time conformity to procedures, regulation or local codes, regarding electric installation and connection to local water supply.

This product has been declared to conform to the applicable Canadian and American safety standards and directives and bear the ETL (c) & (us) mark. The Certificate for ETL is available, upon request to the manufacturer.

2019[®]: All rights reserved. This document cannot be reproduced totally or partially by any means whether, electronic, mechanical, photocopy, recording or other, without prior written authorization of Neptronic.

Correct Use

Neptronic systems and its products are designed only for humidification use. Any other application is not considered appropriate for the intended purpose. The manufacturer cannot be made liable for any damage resulting from incorrect use.

General Warranty

This product is subject to the terms and conditions described at <http://www.neptronic.com/Sales-Conditions.aspx>.

Contents

Overview.....	6
Handling and Lifting	6
List of Accessories Supplied.....	7
Other Related Documents	7
Technical Specifications	7
Visual Overview	7
Standard Humidifier Unit.....	9
Position and Dimension of Connections	10
Option - Ducted Combustion Air Inlet Dimensions	11
Weather Proof Enclosure.....	12
Multiple Module Composition.....	13
Installation Overview	14
Installation Method Statement	14
Installation Steps.....	14
Stage 1 - Unit Positioning and Mounting	15
General Recommendations	15
Location.....	15
Positioning.....	15
Ambient Condition and Altitude	16
Minimum Clearances	16
Minimum Clearances - Weather Proof Enclosure	17
Weather Proof Enclosure Installation on Floor/Roof	18
Weather Proof Enclosure Installation on Roof Curb.....	18
Stage 2 - Steam Distribution Installation	19
Fundamental Design Concepts	19
Weather Proof Enclosure Steam Outlets.....	20
Steam Outlet Dimension and Quantity - Weather Proof Enclosure	20
Steam Dispersion General Recommendations	21
Selection of Steam Distribution Manifolds	21
S.A.M.E2 System.....	21
Positioning the S.A.M.E2	21
Steam Pipe Work to Duct Connections with S.A.M.E2.....	23
Multi-Steam System.....	24
Selection of Multi-Steam System	24
Steam Pipe Work to Duct Connections with Multi-Steam.....	25
Stage 3 - Gas Supply Connection	27
Gas Pipe Diameter.....	28
Gas Leak Test.....	28
Stage 4 - Water Supply Installation	29
Water Inlet Specifications	29
Water Supply Line Installation	29
Stage 5 - Water Drain Connection	30
Water Drain Specifications	30
Water Drain Installation.....	30



Pan Drain Connection on Weather Proof Enclosure 31

Weather Proof Enclosure Water Drain Valve..... 32

Stage 6 - Combustion Air Installation 33

 Combustion Air Specification - Natural Ventilation 34

 Natural Ventilation Installation 35

 Ducted Combustion Air 35

Stage 7 - Flue Gas Venting Connection..... 38

 Approved BH Vent Systems 38

 Flue Gas Venting Specification..... 39

 Flue Gas Terminal 39

 Minimum Spacing..... 40

Stage 8 - Electrical Supply and Installation 41

 Electrical Power Supply 41

Stage 9 - Electrical Control Connections..... 42

 Electrical Control Connections..... 42

 Safety Contact Connections 42

 Dry Contacts 42

 Humidifier Control 43

 Analog Signals 43

 Humidity Control by Humidistat (External Mode) 43

 Humidity Control by Humidifier (Internal Mode) 44

 Humidity Control by External Signal 45

 Network Communication..... 46

 Controls Placement (Steam Dispersed into a Duct or AHU) 47

Controller Configuration 48

 Control Panel Features 48

 Idle Screen..... 49

 Menu Access 49

 Menu Navigation and Configuration 50

 Menu - General 51

 Menu - User Settings 54

 Menu - Service 55

 Menu - Installation 56

 Menu - Integration 56

 List of Alarms 62

Start-up Procedure 64

 Initial Verification 64

 Start-Up..... 65

Service..... 66

 Cleaning the Humidifier..... 66

 Chamber Removal - Humidifier with OSHPD Preapproval (OSP) 68

 Inspecting the Humidifier Components..... 69

 Burner Assembly and Heat Exchanger Tube Maintenance..... 70

 Burner Maintenance..... 70

Troubleshooting..... 71

Overview

Handling and Lifting



Lifting or handling **MUST** be carried out by trained and qualified personnel. Ensure that the lifting operation has been properly planned, assessed for risk and that the equipment has been checked by a competent Health and Safety representative, and effective control measures are in place.

It is the customer's responsibility to ensure that the operators are trained in handling heavy goods and to enforce the relevant lifting regulations.

The SKG4 humidifier **MUST** be handled and lifted with care at all times and remain in its original packaging for as long as possible, prior to installation.

The SKG4 humidifier package may be carried using a forklift from the underside. Exercise caution before lifting to ensure that the load is balanced.

The optional weather proof enclosure is provided with four (4) lifting eyelets located at each corner on top of the enclosure.

Refer to the Dimensions and Weight table in the Standard Humidifier Unit section for system dry weights.

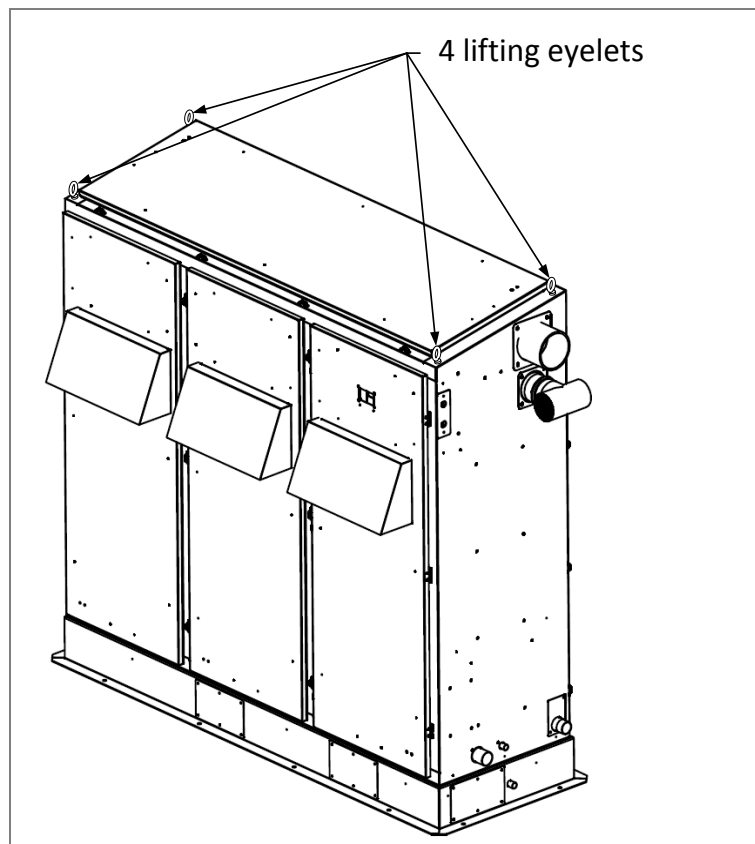


Illustration 1 - Lifting (Weather Proof Enclosure)

Unpacking

The SKG4 humidifier is shipped in a wooden crate. Ensure packing wooden crate and skid is removed prior to commissioning.

List of Accessories Supplied

The following accessories are supplied with the SKG4 humidifier:

- 2 sets of keys.
- 2 adjustable steam hose collars per module to connect on the steam output (standard enclosure).
- 2 adjustable steam hose collars per internal steam manifold (weather proof enclosure option).
- 1 Installation Instructions and User Manual.

Other Related Documents

- Wiring Diagram
- Combustion Field Adjustment Instructions
- BACnet Communication Module User Guide (for humidifiers with BACnet option)
- Modbus Communication Module User Guide (for humidifiers with Modbus option)

Technical Specifications

Table 1 - Technical Specifications

Model	No. of Modules	Steam Capacity (lb/h) [kg/h]	Input Capacity (btu/h) [kW]	Current at 120V (A)	Current at 208V (A)	Current at 240V (A)	No. of Outlets	Multi-Steam Header Diameter (in) [mm]
SKG4-N1101 N/P	1	110 [50]	165,000 [49]	6.0	3.5	3.0	1	3 [76]
SKG4-N1551 N/P	1	155 [70]	215,000 [63]	6.0	3.5	3.0	1	3 [76]
SKG4-N1801 N/P	1	180 [80]	240,000 [70]	6.0	3.5	3.0	1	3 [76]
SKG4-N2101 N/P	1	210 [95]	249,000 [73]	6.0	3.5	3.0	1	3 [76]
SKG4-N2652 N/P	2	265 [120]	380,000 [112]	9.0	5.2	4.5	2	4 [100]
SKG4-N3102 N/P	2	310 [140]	430,000 [126]	9.0	5.2	4.5	2	4 [100]
SKG4-N3502 N/P	2	350 [160]	464,000 [136]	9.0	5.2	4.5	2	4 [100]
SKG4-N4052 N/P	2	405 [185]	498,000 [146]	9.0	5.2	4.5	2	4 [100]
SKG4-N5053 N/P	3	505 [230]	704,000 [206]	12.0	7.0	6.0	3	5 [125]
SKG4-N5603 N/P	3	560 [255]	713,000 [209]	12.0	7.0	6.0	3	5 [125]
SKG4-N6103 N/P	3	610 [275]	747,000 [219]	12.0	7.0	6.0	3	5 [125]
SKG4-N7104 N/P	4	710 [320]	953,000 [279]	15.0	8.7	7.5	4	(2x) 4 [100]
SKG4-N7654 N/P	4	765 [345]	962,000 [282]	15.0	8.7	7.5	4	(2x) 4 [100]
SKG4-N8104 N/P	4	810 [370]	996,000 [292]	15.0	8.7	7.5	4	(2x) 4 [100]

Note 1: Maximum static duct pressure is 5" w.c. (1.25 kPa). For higher static duct pressures, consult Neptronic or its authorized distributor.

Note 2: Standard humidifier is designed for natural ventilation combustion air. "Ducted Combustion Air" option is available upon request. See Stage 6 of installation procedure for more details.

Note 3: See the Electrical Power Supply section on page 41 for current ratings for models with the weather proof enclosure.





Visual Overview

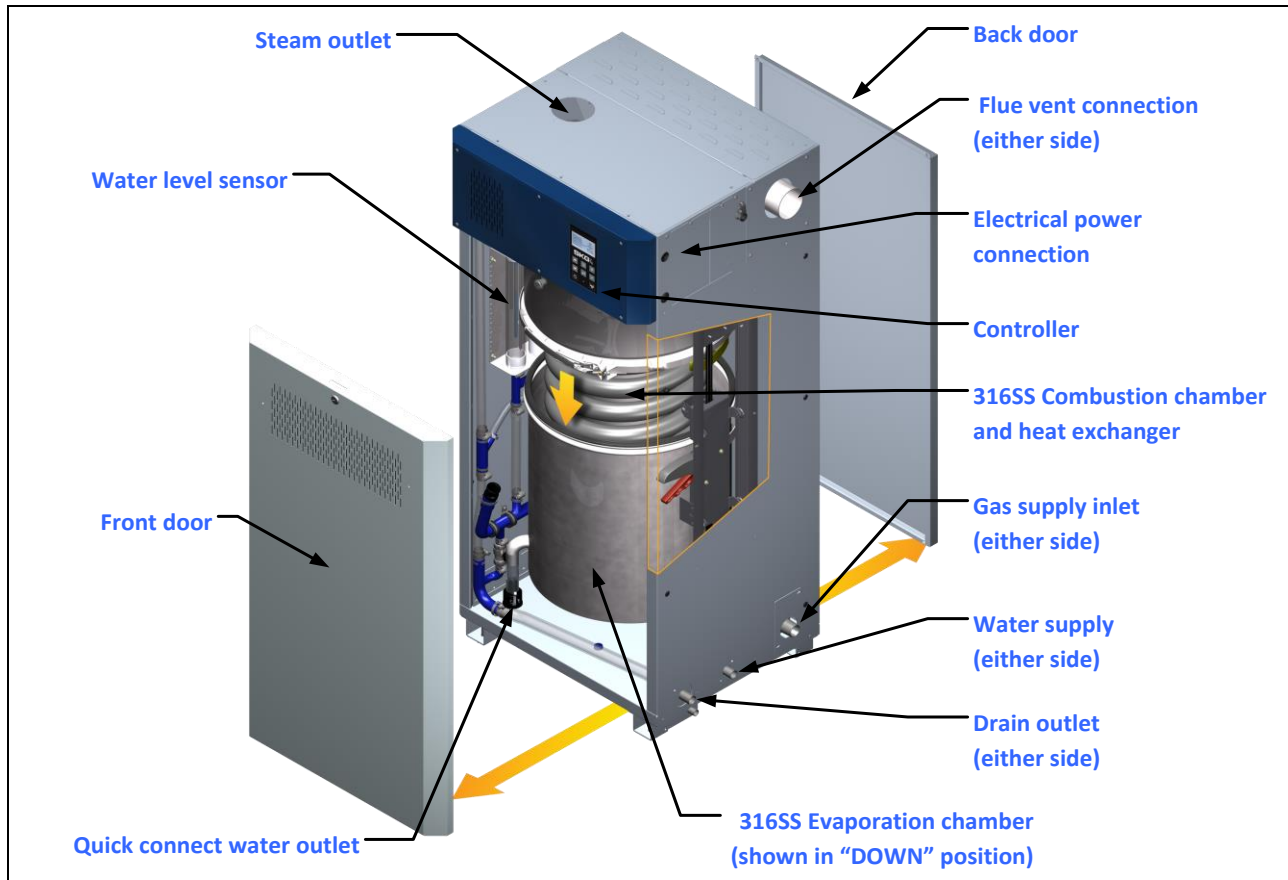


Illustration 2 - Humidifier Overview



Standard Humidifier Unit

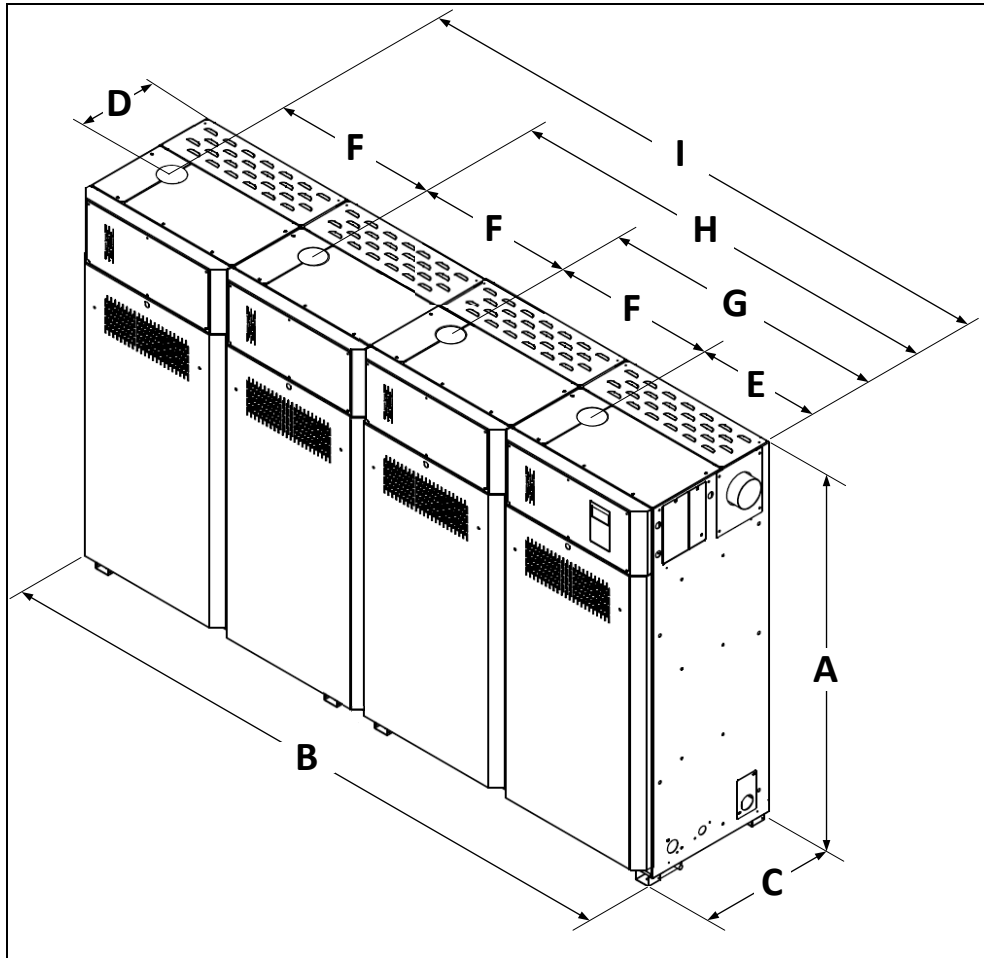


Illustration 3 - Standard Humidifier

Table 2 - Dimensions and Weight (Standard Humidifier)

Model	No. of Modules	Steam Outlet		Dimensions (in) [mm]									Weight (lb) [kg]	
		Qty	Dia. (in) [mm]	A	B	C	D	E	F	G	H	I	Empty	Full of Water
SKG4-N1101 N/P SKG4-N1551 N/P SKG4-N1801 N/P SKG4-N2101 N/P	1	1	Ø3 [76]	54 [1372]	24 [610]	22 [560]	11 [280]	19 [470]	-	-	-	-	320 [145]	441 [200]
SKG4-N2652 N/P SKG4-N3102 N/P SKG4-N3502 N/P SKG4-N4052 N/P	2	2	Ø3 [76]	54 [1372]	48 [1220]	22 [560]	11 [280]	19 [470]	24 [610]	43 [1080]	-	-	604 [274]	847 [384]
SKG4-N5053 N/P SKG4-N5603 N/P SKG4-N6103 N/P	3	3	Ø3 [76]	54 [1372]	72 [1830]	22 [560]	11 [280]	19 [470]	24 [610]	43 [1080]	67 [1690]	-	950 [431]	1322 [600]
SKG4-N7104 N/P SKG4-N7654 N/P SKG4-N8104 N/P	4	4	Ø3 [76]	54 [1372]	96 [2440]	22 [560]	11 [280]	19 [470]	24 [610]	43 [1080]	67 [1690]	91 [2300]	1270 [576]	1764 [800]

Position and Dimension of Connections

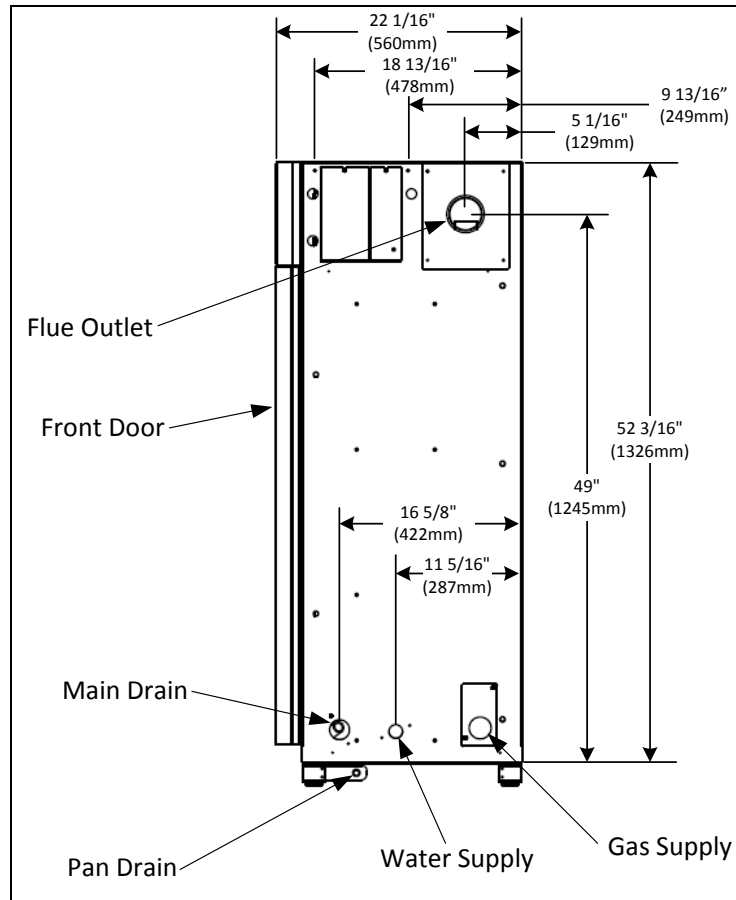


Illustration 4 - Position of Connections

Table 3 - Dimensions of Connections (Standard Humidifier)

Model	No. of Modules	Dimensions (in) [mm]				
		Drain Outlet Diameter	Pan Drain Diameter	Water Inlet Diameter	Gas Inlet Diameter	Flue Outlet Diameter
SKG4-N1101 N/P SKG4-N1551 N/P SKG4-N1801 N/P SKG4-N2101 N/P	1	Ø7/8 [22]	Ø5/8 [18]	Ø1/2 [15]	Ø1 [25]	Ø3 [76]
SKG4-N2652 N/P SKG4-N3102 N/P SKG4-N3502 N/P SKG4-N4052 N/P	2	Ø1 3/8 [36]	Ø5/8 [18]	Ø1/2 [15]	Ø1 [25]	Ø4 [100]
SKG4-N5053 N/P SKG4-N5603 N/P SKG4-N6103 N/P	3	Ø2 [50]	Ø5/8 [18]	Ø1/2 [15]	Ø1 1/2 [40]	Ø5 [125]
SKG4-N7104 N/P SKG4-N7654 N/P SKG4-N8104 N/P	4	Ø2 [50]	Ø5/8 [18]	Ø1/2 [15]	Ø1 1/2 [40]	Ø5 [125]



Note: Drain outlet, water supply inlet, gas supply inlet and flue outlet are located on the right hand side of the humidifier. Left hand side location of any of these outlets or inlets is available upon request.



Option - Ducted Combustion Air Inlet Dimensions

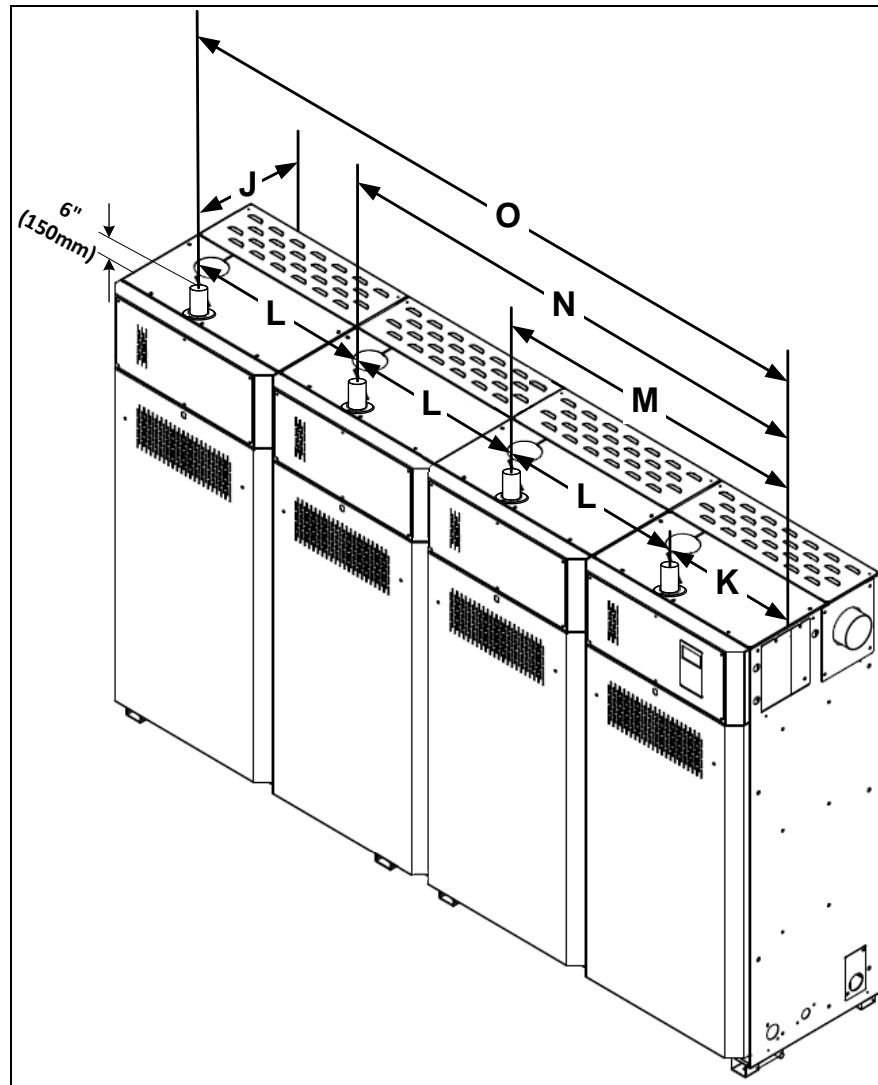


Illustration 5 - Ducted Combustion Air Inlet Dimensions

Table 4 - Dimensions and Weight (Ducted Combustion)

Model	No. of Modules	No. of Air Inlet(s)	Air Inlet Dia. (in)[mm]	Dimensions (in) [mm]					
				J	K	L	M	N	O
SKG4-N1101 N/P SKG4-N1551 N/P SKG4-N1801 N/P SKG4-N2101 N/P	1	1	Ø2 [51]	17.6 [448]	13.8 [352]	-	-	-	-
SKG4-N2652 N/P SKG4-N3102 N/P SKG4-N3502 N/P SKG4-N4052 N/P	2	2	Ø2 [51]	17.6 [448]	13.8 [352]	24 [609]	37.8 [962]	-	-
SKG4-N5053 N/P SKG4-N5603 N/P SKG4-N6103 N/P	3	3	Ø2 [51]	17.6 [448]	13.8 [352]	24 [609]	37.8 [962]	61.8 [1571]	-
SKG4-N7104 N/P SKG4-N7654 N/P SKG4-N8104 N/P	4	4	Ø2 [51]	17.6 [448]	13.8 [352]	24 [609]	37.8 [962]	61.8 [1571]	85.8 [2180]



Weather Proof Enclosure

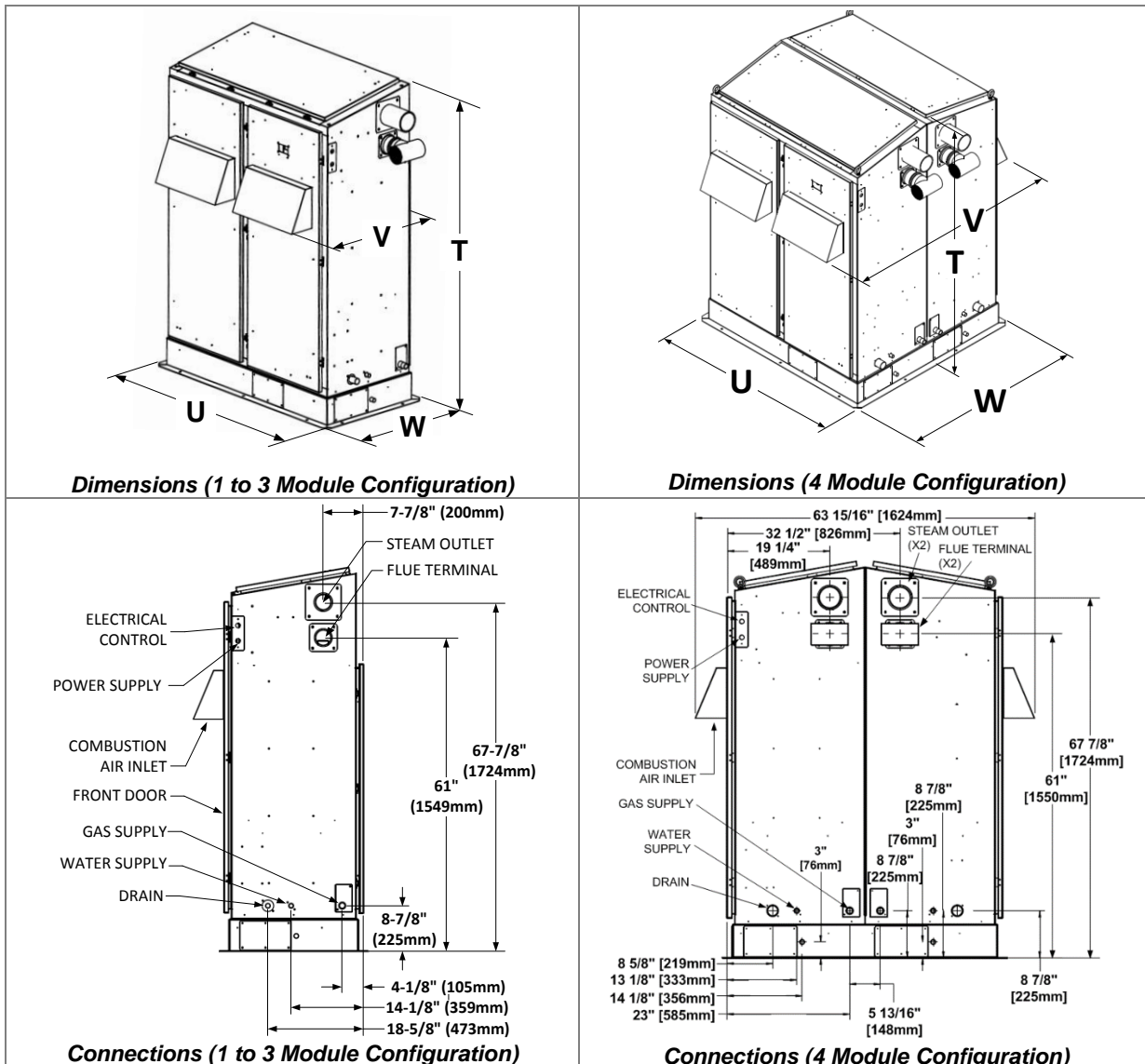


Illustration 6 - Weather Proof Enclosure

Table 5 - Dimensions and Weight (Weather Proof Enclosure)

Model	No. of Modules	Dimensions (in) [mm]				Weight (lb) [kg]	
		T	U	V	W	Empty	Full of Water
SKG4-N1101 N/P SKG4-N1551 N/P SKG4-N1801 N/P SKG4-N2101 N/P	1	74.7 [1898]	29.8 [757]	33.25 [845]	28.1 [714]	627 [285]	748 [340]
SKG4-N2652 N/P SKG4-N3102 N/P SKG4-N3502 N/P SKG4-N4052 N/P	2	74.7 [1898]	55.6 [1412]	33.25 [845]	28.1 [714]	1038 [472]	1280 [582]
SKG4-N5053 N/P SKG4-N5603 N/P SKG4-N6103 N/P	3	74.7 [1898]	81.5 [2070]	33.25 [845]	28.1 [714]	1436 [653]	1800 [818]
SKG4-N7104 N/P SKG4-N7654 N/P SKG4-N8104 N/P	4	74.7 [1898]	55.6 [1412]	63.9 [1623]	52.9 [1344]	1826 [830]	2310 [1050]

Multiple Module Composition

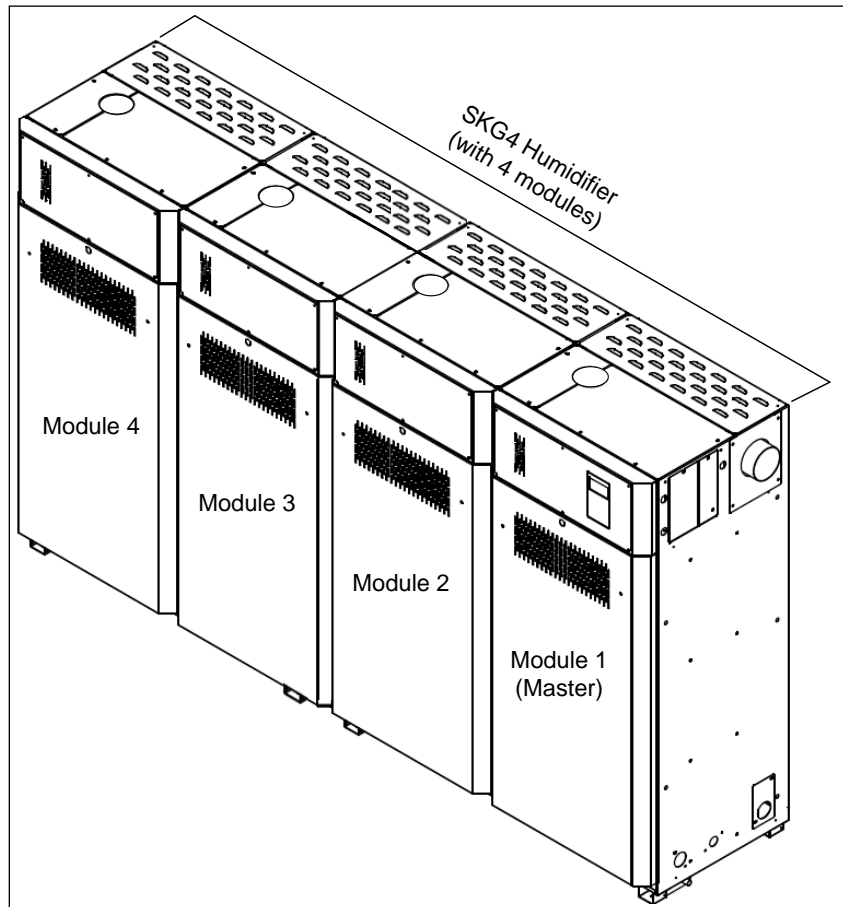


Illustration 7 - Multiple Module Humidifier

Table 6 - Multiple Module Composition

Model	No. of Modules	Module Model Number and Quantity			
		SKG100	SKG150	SKG180	SKG200
SKG4-N1101 N/P	1	x1			
SKG4-N1551 N/P	1		x1		
SKG4-N1801 N/P	1			x1	
SKG4-N2101 N/P	1				x1
SKG4-N2652 N/P	2	x1	x1		
SKG4-N3102 N/P	2		x2		
SKG4-N3502 N/P	2		x1		x1
SKG4-N4052 N/P	2				x2
SKG4-N5053 N/P	3		x1	x1	x1
SKG4-N5603 N/P	3		x1		x2
SKG4-N6103 N/P	3				x3
SKG4-N7104 N/P	4		x1	x1	x2
SKG4-N7654 N/P	4		x1		x3
SKG4-N8104 N/P	4				x4

Installation Overview

Installation Method Statement



WARNING: Risk of electric shock. Disconnect the appliance from electric supply before commencing installation.



Note: All installation work must conform to local codes and regulations.

All work related to the installation of the SKG4 humidifier **MUST** only be performed by skilled and qualified technical personnel (e.g. qualified gas installer, fitters, electricians, plumbers or technicians with appropriate training).

The customer is responsible for ensuring their suitability.

For the installation of the SKG4 humidifier and its associated components, no special tooling is required above that of a fitter's toolkit.

Installation Steps

Stage 1: Unit Positioning and Mounting

Stage 2: Steam Distribution Installation

Stage 3: Gas Supply Connection

Stage 4: Water Supply Installation

Stage 5: Water Drain Connection

Stage 6: Combustion Air Installation

Stage 7: Flue Gas Venting Connection

Stage 8: Electrical Supply and Installation

Stage 9: Electrical Control Connections

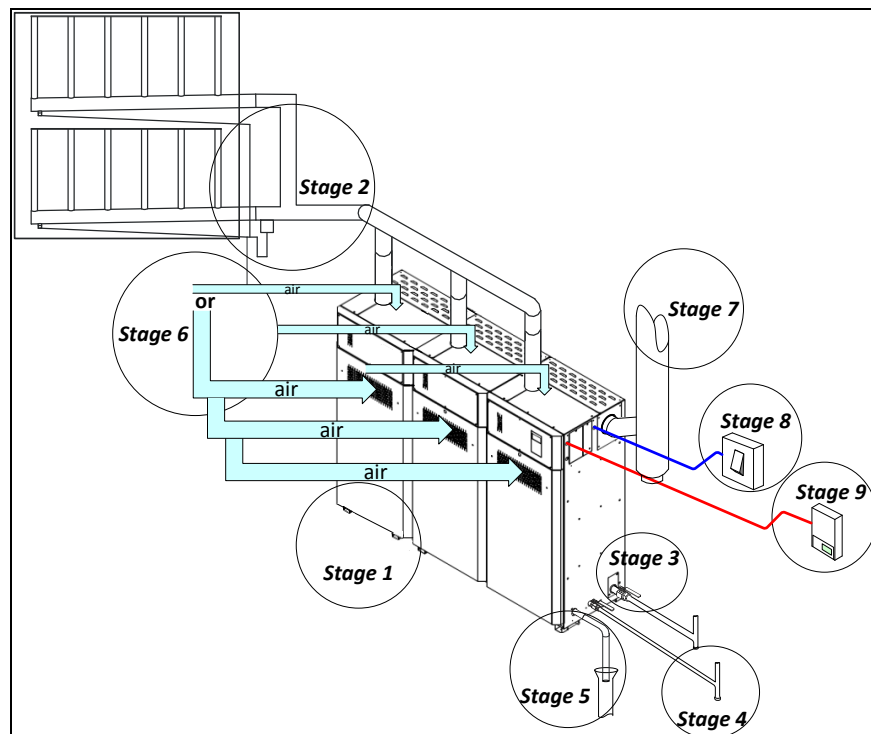


Illustration 8 - Installation Overview

Stage 1 - Unit Positioning and Mounting

General Recommendations



Any installation work **MUST** be carried out by suitably qualified personnel.

Location

Consider the following points before deciding the location for the SKG4 humidifier:

- Locate the SKG4 humidifier in an area clear of combustible materials, gasoline, and other flammable vapours and liquids. Do not install in potentially explosive or flammable atmospheres laden with grain dust, sawdust, or similar airborne materials.
- If the appliance is installed in an insulated area, it must be kept free and clear of insulating materials, as they may be combustible. If insulation is added after the humidifier is installed, an inspection of the humidifier area must be carried out to ensure that there is no insulation coming into contact with the humidifier.
- Provide adequate room ventilation air in accordance with local codes and regulations. With the exception of ducted combustion air installation, do not locate units in tightly sealed rooms or small compartments without provision for adequate air for combustion and room ventilation.
- Combustion and ventilation air must be supplied through one permanent low-level and one permanent high-level opening communicating directly with the outside air.
- Humidifier flue gases must be vented to the outdoors. Locate the humidifier as near as possible to an outside wall or roof so that the flue pipe from the humidifier is short and direct.
- Locate the SKG4 humidifier on a water proof floor or install a drain pan beneath the humidifier.
- The humidifier must be installed in a way that ensures the steam hose length is kept to the shortest possible length.
- Consider the total steam line length between the humidifier and the steam distributor based on the steam line material type:
 - For flexible steam hose, total steam line must not exceed 16ft (5m). For longer distances, use insulated hard piping.
 - For insulated hard piping, the total steam line is determined by the humidifier capacity: one equivalent foot for each lb/hr capacity of the humidifier (0.67 m for each kg/hr), with a maximum of 50 feet (15 m). For longer steam line runs, consult factory.
- The humidifier must be installed in a way that ensures the steam hose length is kept to the shortest possible length.
- The humidifier must be located in an area that is fully accessible for inspection and servicing. Observe the minimum clearances as shown in the following sections.

Positioning

- The humidifier is designed to be installed directly on the floor.
- The humidifier is provided with adjustable legs in order to ensure proper level (standard enclosure only).
- Provide a level, solid foundation for the humidifier.
- Ensure that the floor beneath the humidifier is water proof to withstand any water spillage during servicing or in the event of a problem.

Ambient Condition and Altitude

- The humidifier location **MUST** have an ambient temperature of less than 86°F (30°C).
- If the above condition is not respected for indoor humidifiers, the warranty of the unit will be void, as it has not been designed to operate under extreme external conditions.
- The combustion burner of the SKG4 humidifier is self-adjusting for any altitude; the burner will maintain proper combustion and low emission at any altitude.
- Steam capacity will be affected by altitudes over 3500ft (1050m) above sea level. Please refer to the table below to anticipate the ratio of output reduction.

Table 7 - Output Reduction Based on Altitude

Altitude Above Sea Level (ft) [m]	Output Reduction (%)
0 to 3500 [0 to 1050]	0
3501 to 4500 [1051 to 1350]	2
4501 to 5500 [1351 to 1650]	4
5501 to 6500 [1651 to 1950]	6
6501 to 7500 [1951 to 2250]	8

Minimum Clearances

- The following minimum clearances are indicated for inspection and servicing access. The SKG4 humidifier is designed for a zero clearance to combustible materials.
- Leave a clearance of at least 30" (0.8 m) to the front panel and 24" (0.6 m) on the left and right sides of the humidifier.
- Leave a clearance of at least 20" (0.5 m) on top of the humidifier.

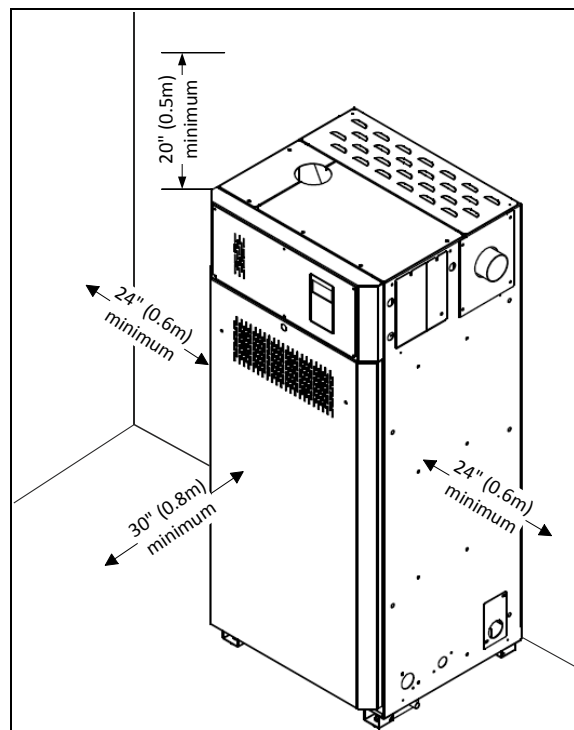


Illustration 9 - Standard Enclosure Clearances



Minimum Clearances - Weather Proof Enclosure

- The following minimum clearances are indicated for inspection and servicing access. The SKG4 humidifier is designed for a zero clearance to combustibile materials.
- Leave a clearance of at least 30" (0.8 m) to the front panel and 24" (0.6 m) on the left and right sides of the humidifier.
- Leave a clearance of at least 20" (0.5 m) on top of the humidifier.

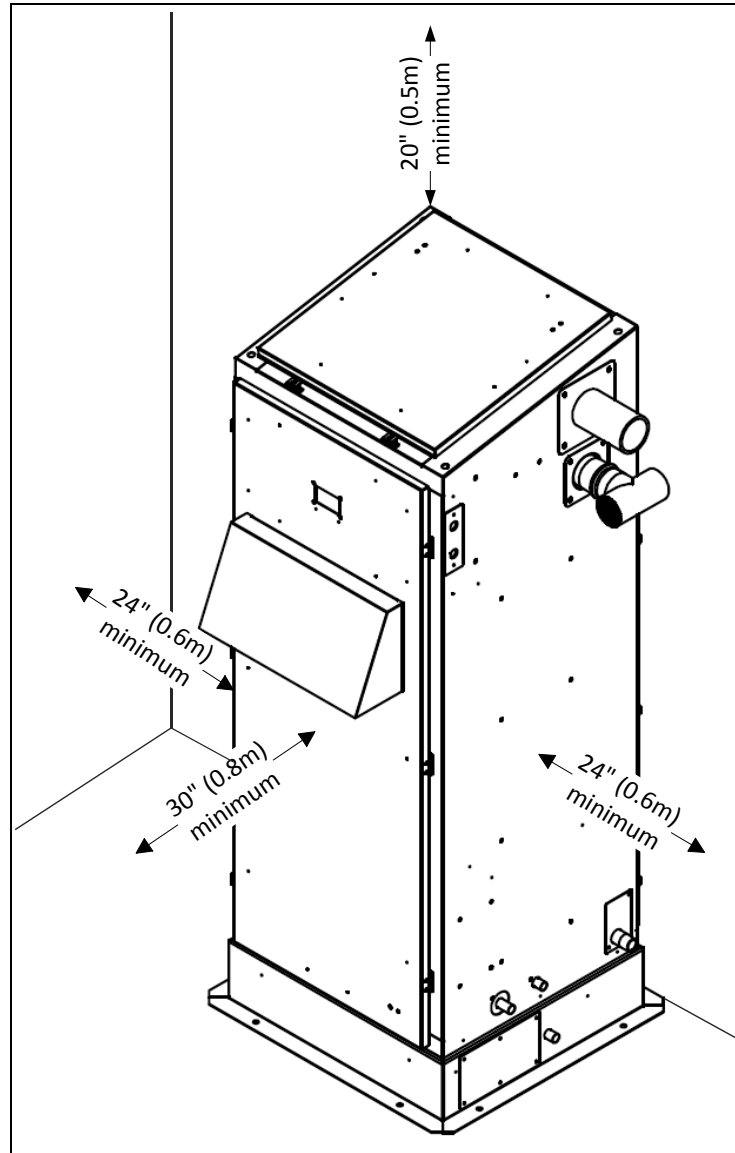


Illustration 10 - Weather Proof Enclosure Clearances

Weather Proof Enclosure Installation on Floor/Roof

The base of the SKG4 humidifier must be secured to the floor/roof using $\frac{1}{2}$ " (12mm) diameter bolts and washers (not supplied). Use the provided $\frac{1}{2}$ " (12mm) diameter holes to secure the SKG4 humidifier to the floor/roof.

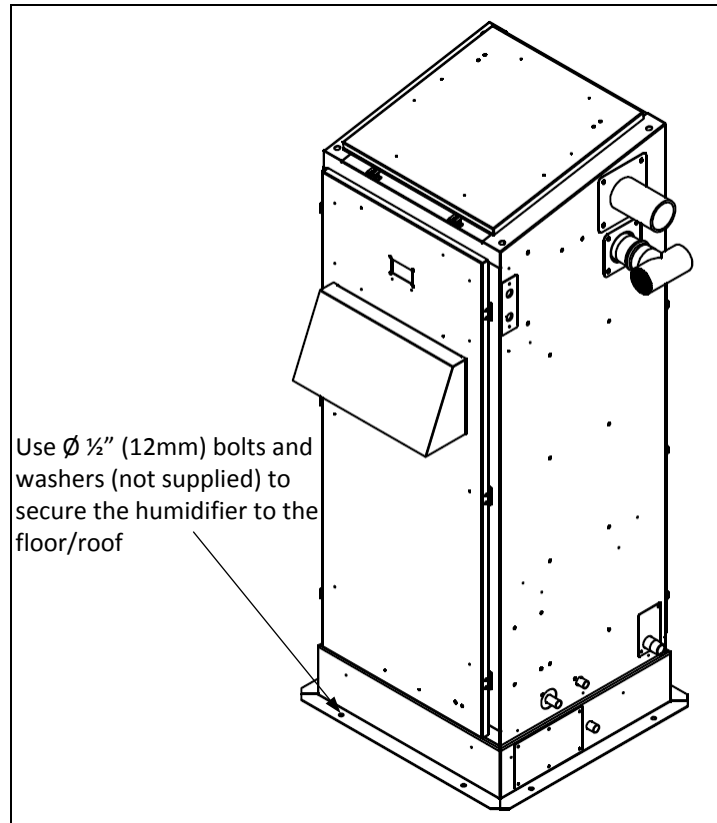


Illustration 11 - Floor/Roof Installation

Weather Proof Enclosure Installation on Roof Curb

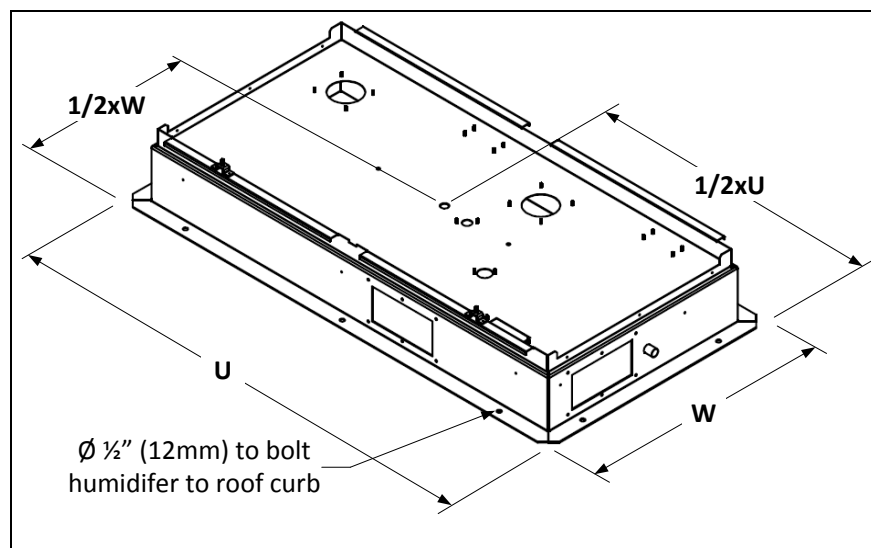


Illustration 12 - Roof Curb Installation

Ensure that the roof curb is structurally built to support the weight of the SKG4 humidifier. The roof curb must provide proper level to the humidifier. The base of the weather proof enclosure is provided with holes of $\frac{1}{2}$ " (12mm) diameter to secure the SKG4 humidifier to the roof curb, with the use of bolts and washers of $\frac{1}{2}$ " (12mm) diameter (not supplied).

Stage 2 - Steam Distribution Installation

Fundamental Design Concepts

Follow these general installation rules in order to avoid any restrictions inside the distribution pipes and the humidifier, as well as condensation accumulation, which can lead to severe water accumulation in the duct or a humidifier malfunction.



CAUTION: Risk of malfunction. Avoid kinks, sags and areas where condensate can be trapped.

- The minimum steam pipe gradient must be 7°, i.e. 5" (125mm) rise in 40" (1m) run.
- The total length of flexible steam hoses must not exceed 16ft (5m). For insulated rigid piping, it must not exceed 50ft (15m).
- The lowest point of any steam hose or rigid pipe must be the humidifier. If the humidifier cannot be the lowest point of the piping, install one or more steam traps (S Type) at the lowest point(s) of the steam supply piping. The steam separator (S trap) must be installed higher than the static pressure of the system by at least 2" (51 mm).
- Use rigid copper piping whenever possible. Flexible steam hoses can be used for short runs up to 16ft (5m) or for interconnecting between rigid pipe runs. Ensure that there are no kinks and that the hose does not sag when using flexible tubing. Do not use flexible hoses for curved portions of the steam line.
- When using rigid copper pipe, insulation must be used to diminish condensation build up.

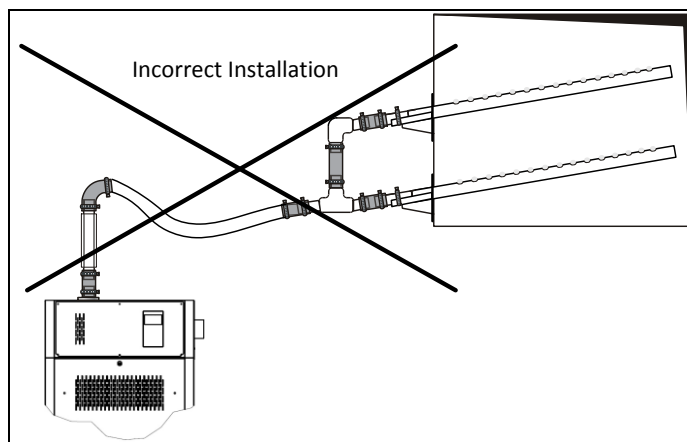


Illustration 13 - Steam Distribution Pipes: Incorrect Installation

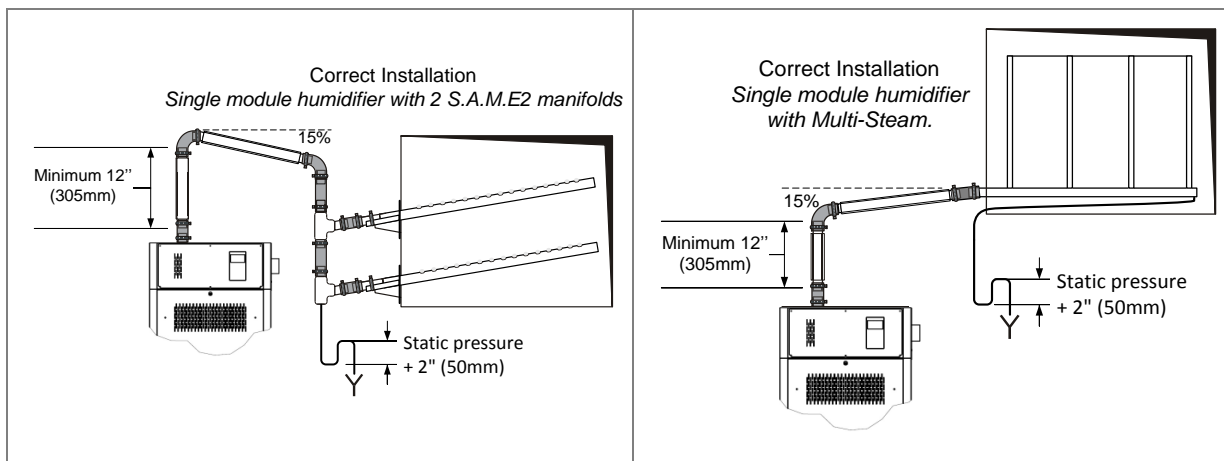


Illustration 14 - Steam Distribution Pipes: Correct Installation

Weather Proof Enclosure Steam Outlets

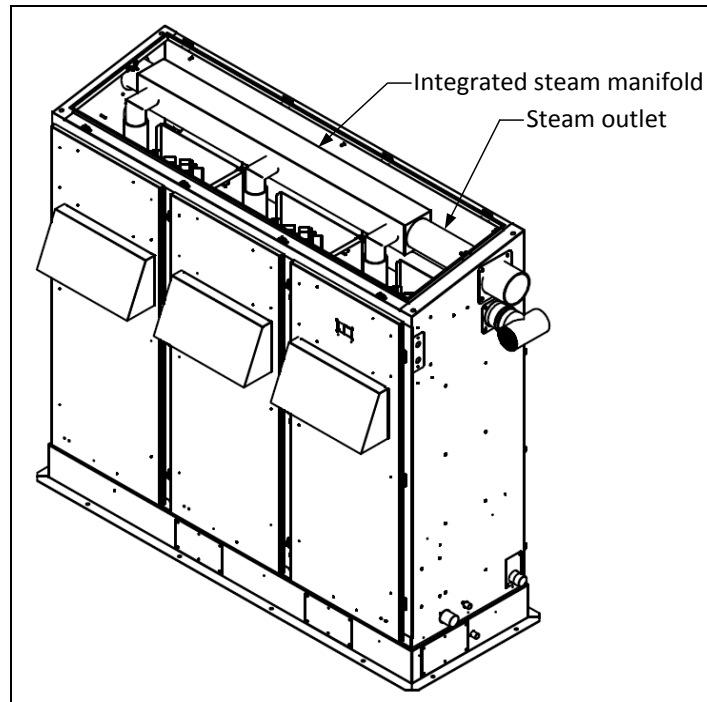


Illustration 15 - Weather Proof Enclosure Single Steam Outlet

The SKG4 humidifier with weather proof enclosure is provided with an integrated steam manifold with an outlet located on either one of the sides of the humidifier.

By default, the steam outlet will be on the right side of the humidifier (when facing the control panel). The steam outlet location can be switched to left side upon request to factory.

Steam Outlet Dimension and Quantity - Weather Proof Enclosure

Table 8 - Steam Outlet Dimensions and Quantity (Weather Proof Enclosure)

Model	Steam Outlet Quantity	Steam Outlet Diameter
SKG4-N1101 to 2101	1	Ø3" (76mm)
SKG4-N2652 to 4052	1	Ø4" (100mm)
SKG4-N5053 to 6103	1	Ø5" (125mm)
SKG4-N7104 to 8104	2	Ø4" (100mm)



Steam Dispersion General Recommendations

Follow these general rules based on the steam capacity of the humidifier:

- The connection pipe sizes between the SKG4 and the steam distributor in the duct must be:
 - 3" (76mm) up to 220lb/hr (100kg/h)
 - 4" (100mm) up to 440lb/hr (200kg/h)
 - 5" (125mm) up to 660lb/hr (300kg/h)
- For all humidifiers having a capacity below 220lb/hr (100kg/h), use standard Neptronic S.A.M.E2 steam distribution pipes. A Multi-Steam system can be offered if shorter absorption distances are required.
- For all humidifiers having a capacity above 220lb/hr (100kg/h), use the Multi-Steam system.
- For all humidifiers having a capacity above 660lb/hr (300kg/h), use 2 Multi-Steam units per air handling unit (AHU) or air duct with an equal duty split to each Multi-Steam system.

Selection of Steam Distribution Manifolds

- The minimum steam manifold length that can be used with the models SKG4-N1101 to SKG4-N2101 is 3 feet (900mm). Any manifold below this dimension will have insufficient outlet spigots to allow proper steam distribution.
- If the duct has a width below 3 feet (900mm), it will be necessary to either fit multiple pipes or use a Multi-Steam system.

S.A.M.E2 System

Positioning the S.A.M.E2

The steam manifold must be mounted and secured through the side of the air handling unit or duct. Ensure that provisions are made for safe accessibility, ideally with an observation light and window. Ensure that the construction of the duct wall is suitable enough to support the steam pipe for the duration of the installation life.

The dimension of the hole size in the duct must be as follows:

Steam Manifold Ø	Hole Size ØA
2 1/8" (54 mm)	3" (76 mm)

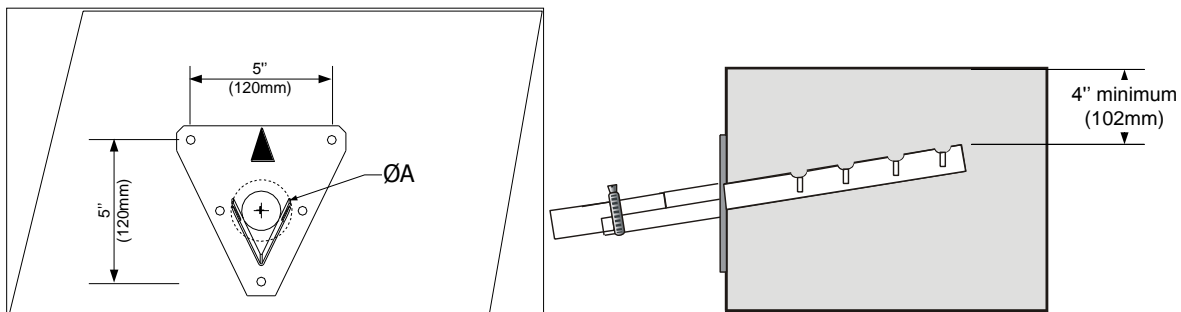


Illustration 16 - Duct Hole Dimensions and Minimum Distance



WARNING: Risk of condensation. Ensure that the minimum distance at the end of the manifold is at least 4" (102 mm) from the top of the duct.



Placement of Steam Pipe in Horizontal Duct

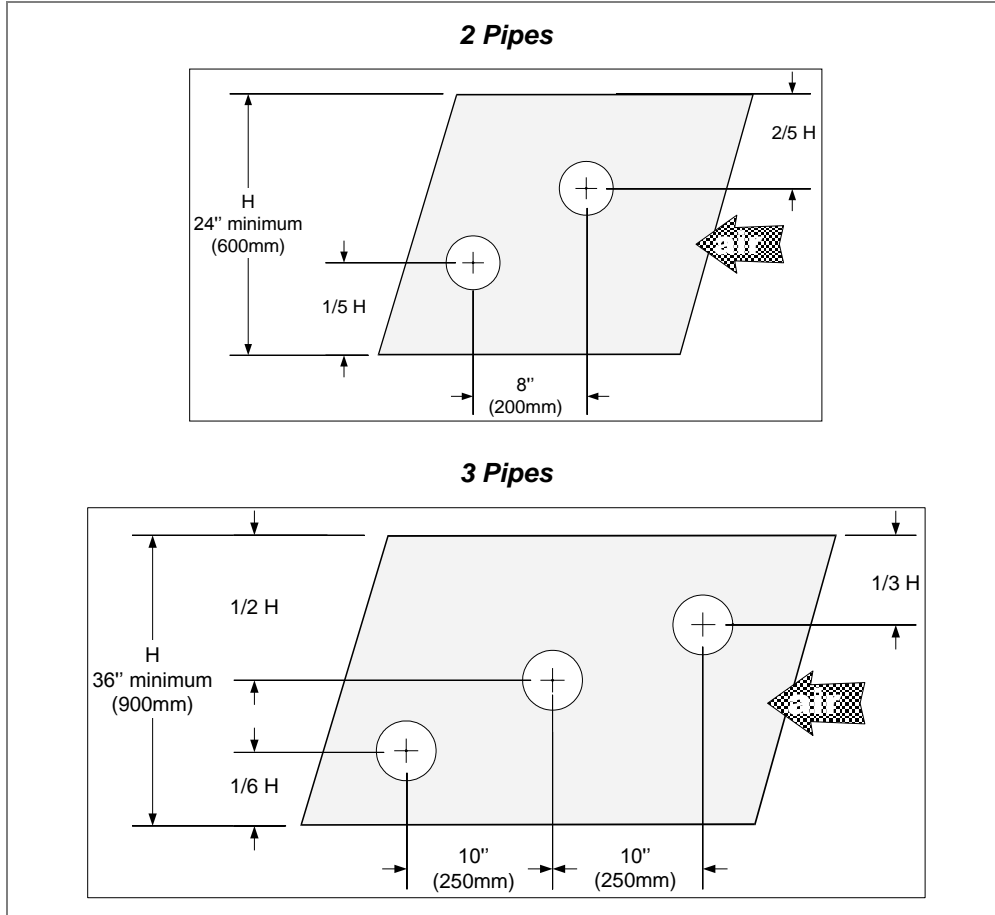


Illustration 17 - Pipe Placement: Horizontal Duct



Note: Steam pipe must be supported on the end by appropriate duct hanger or strap (supplied by others).

Placement of Steam Pipe in Vertical Duct

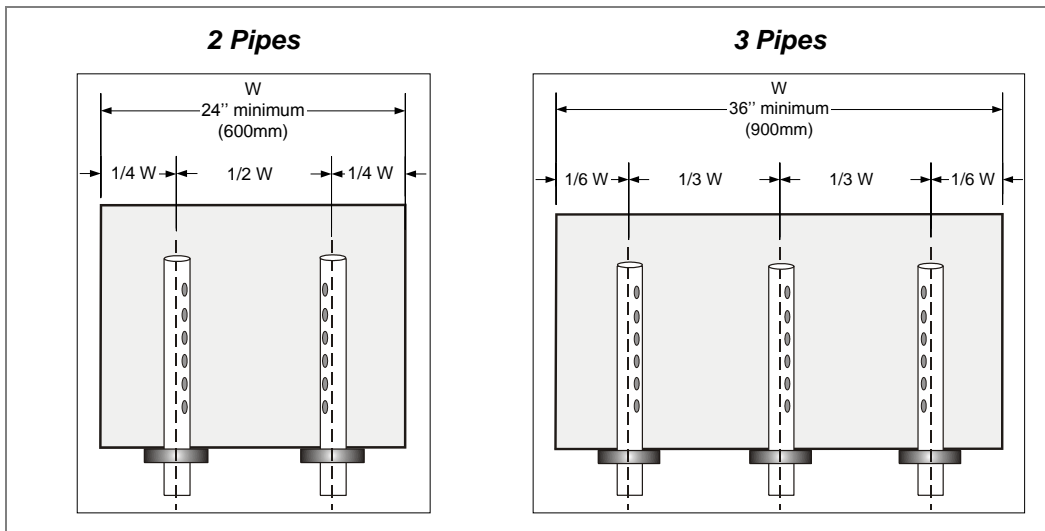


Illustration 18 - Pipe Placement: Vertical Duct



Steam Pipe Work to Duct Connections with S.A.M.E2

Single Module Humidifier: SKG4-N1101

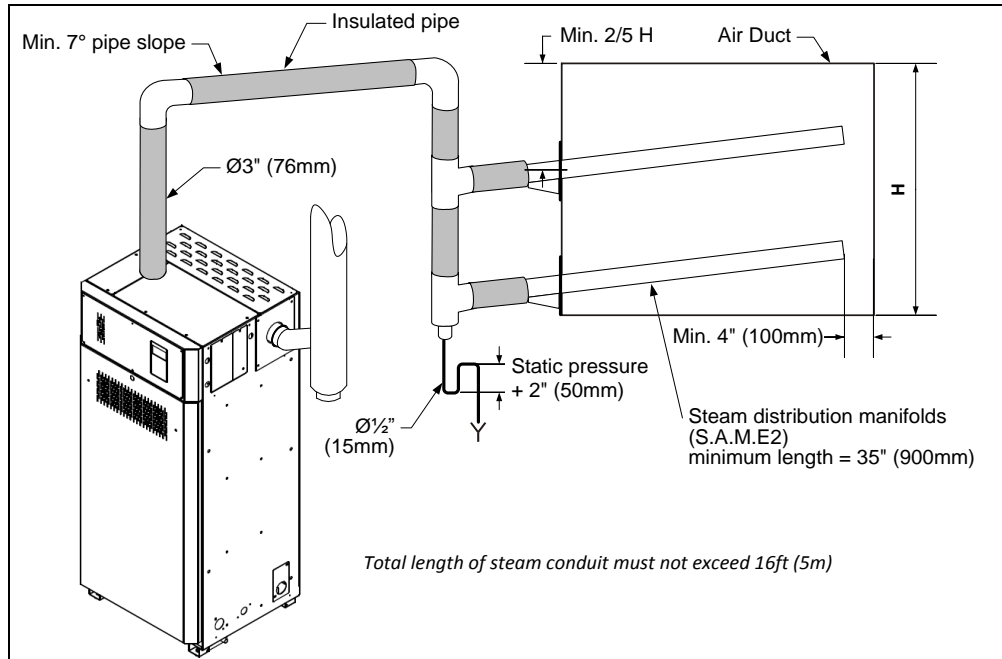


Illustration 19 - S.A.M.E2 Steam Pipe Work (SKG4-N1101)

A single Ø3" (76mm) feed pipe must be connected to two S.A.M.E2 steam manifolds with a suitable reduction at the lowest point to allow a Ø½" (15mm) condensate drain from the main steam supply.

Single Module Humidifiers: SKG4-N1551 to SKG4-N2101

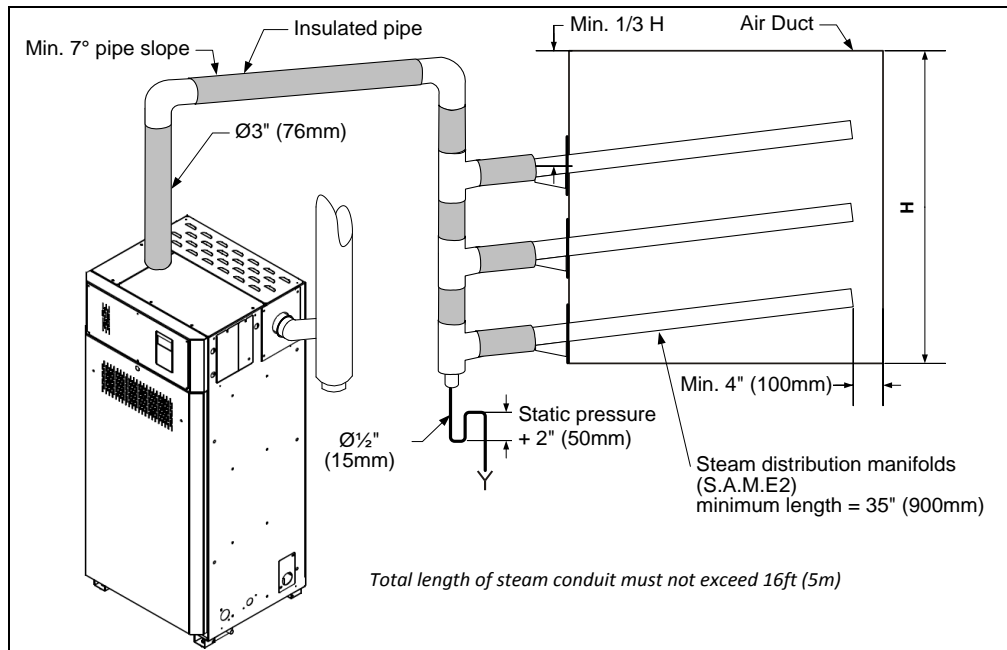


Illustration 20 - S.A.M.E2 Steam Pipe Work (SKG4-N1551 to 2101)

A single Ø3" (76mm) feed pipe must be connected to three S.A.M.E2 steam manifolds with a suitable reduction at the lowest point to allow a Ø½" (15mm) condensate drain from the main steam supply.

Multi-Steam System

Selection of Multi-Steam System

- For all Multi-Steam units, use the Neptronic Humidisoft program to size the unit.
- Where two Multi-Steam units are required (duties in excess of 660lb/hr (300kg/h)), make your selection using the following rules:
 - Divide the air volume flow in half.
 - Divide the AHU / air duct **width** in half.
 - **Height** of the duct must remain at 100% its height.
 - This will size the Multi-Steam units so that they can be placed side by side.
- For installation of Multi-Steam units, refer to the Neptronic Multi-Steam Installation Instructions.

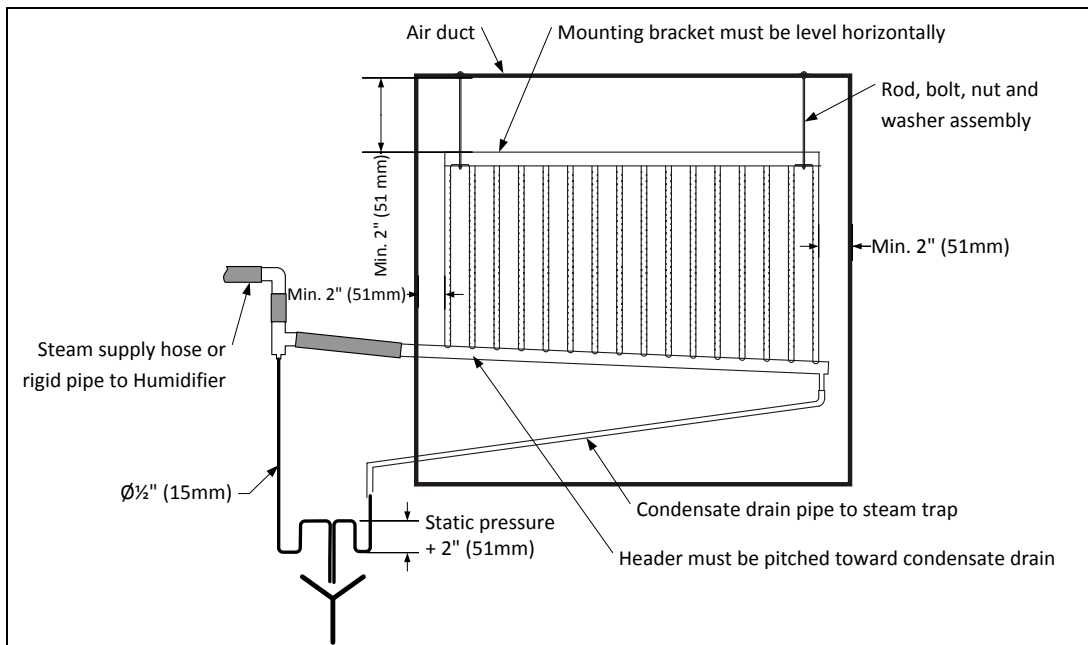


Illustration 21 - Multi-Steam (Horizontal Duct)

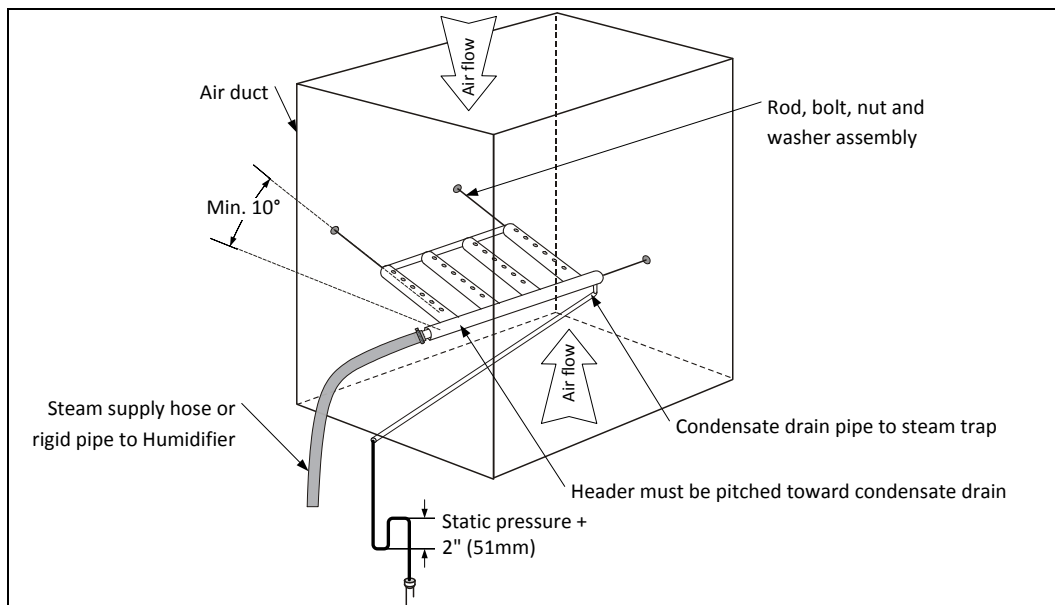


Illustration 22 - Multi-Steam (Vertical Duct)

Steam Pipe Work to Duct Connections with Multi-Steam

Single Module Humidifiers: SKG4-N1101 to SKG4-N2101

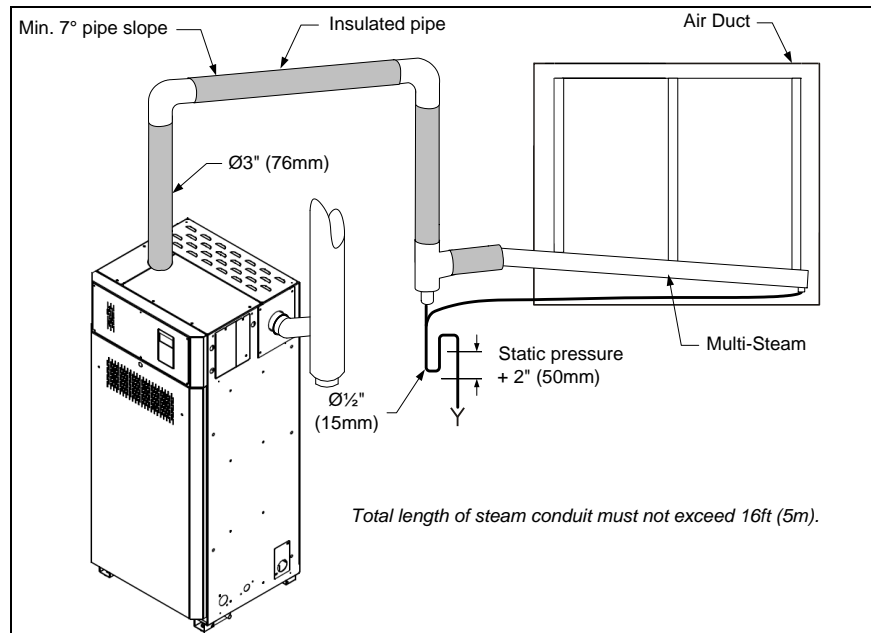


Illustration 23 - Steam Pipe Work Multi-Steam (SKG4-N1101 to 2651)

A single Ø3" (76mm) feed pipe must be connected to a single Multi-Steam with a suitable reduction at the lowest point to allow a Ø½" (15mm) condensate drain from the main steam supply.

2 Module Humidifiers: SKG4-N2652 to SKG4-N4052

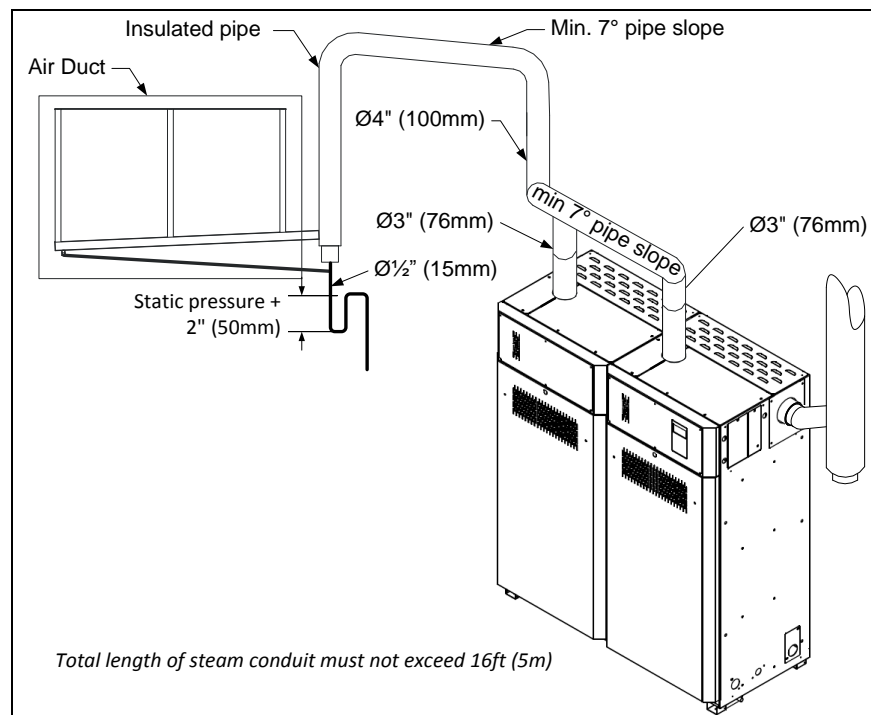


Illustration 24 - Multi-Steam Steam Pipe Work (SKG4-N2652 to 4052)

Two Ø3" (76mm) steam outlets attached to a single Ø4" (100mm) feed pipe must be connected to a single Multi-Steam with a suitable reduction at the lowest point to allow a Ø½" (15mm) condensate drain from the main steam supply.



3 Module Humidifiers: SKG4-N5053 to SKG4-N6103

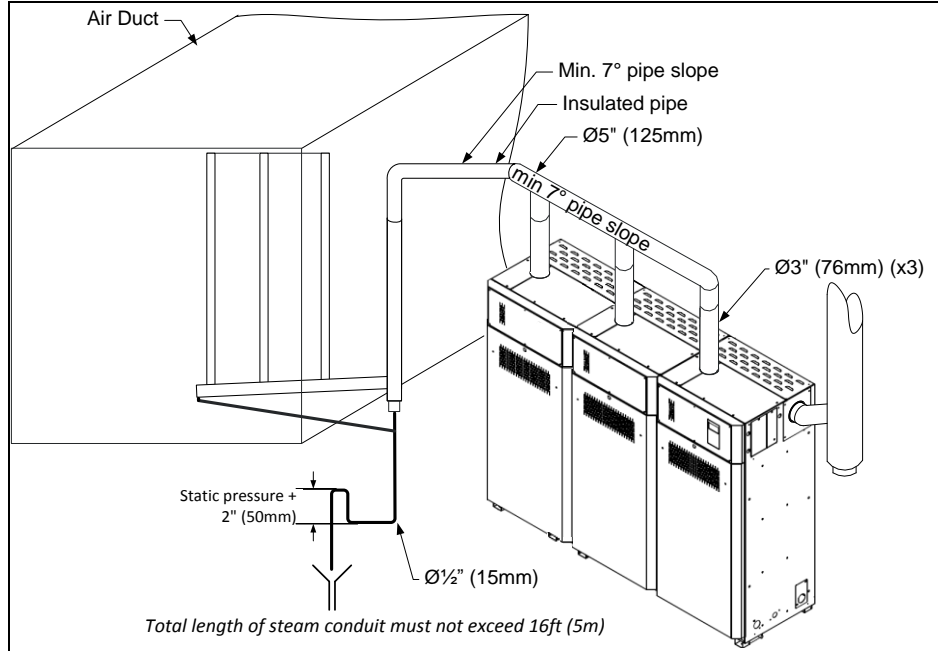


Illustration 25 - Multi-Steam Steam Pipe Work (SKG4-N5053 to 6103)

Three Ø3" (76mm) steam outlets attached to a single Ø5" (125mm) feed pipe must be connected to a Multi-Steam with a suitable reduction at the lowest point to allow a Ø½" (15mm) condensate drain from the main steam supply.

4 Module Humidifiers: SKG4-N7104 to SKG4-N8104

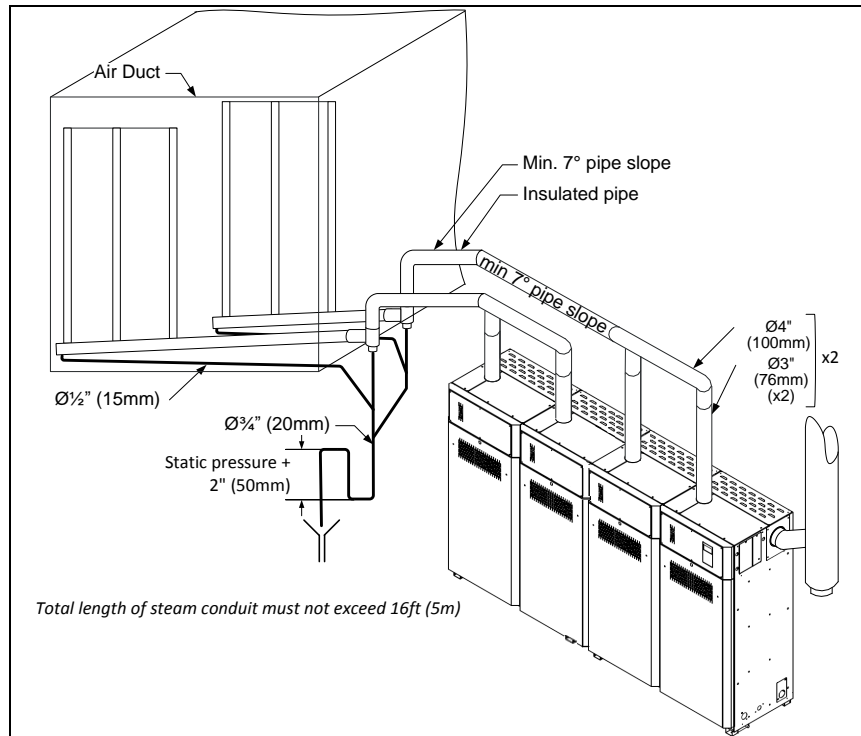


Illustration 26 - Multi-Steam Steam Pipe Work (SKG4-N7104 to 8104)

Two Ø3" (76mm) steam outlets attached to a single Ø4" (100mm) feed pipe must be connected to a single Multi-Steam with a suitable reduction at the lowest point to allow a Ø½" (15mm) condensate drain from the main steam supply. This must be reproduced two times.

If the two Ø½" (15mm) condensate pipes are connected, the common condensate drain must be Ø¾" (20mm).



Stage 3 - Gas Supply Connection



Gas piping installation must comply with all local codes and regulations, including current editions of the ANSI Z223.1 (National Fuel Gas Code) or CAN/CSA-B149 regulations.

Any installation work must be carried out by suitably qualified personnel.

- Gas pressure to the humidifier must never exceed 26" w.c. (6kPa).
- A manual shut off valve (not supplied) must be installed on the gas supply line to the humidifier. Ensure adequate size for the gas supply line.
- A 1/8" NPT (DN6) plugged tapping for test pressure gauge connection must be installed immediately upstream of the gas supply line. Pressure tapings for test gauges must be located at the gas valve.
- It is recommended to use a separate pressure regulator for each humidifier connected to the gas line. Ensure that the humidifier is not connected to the same regulator as any other gas appliances.
- Pipes must be inspected for dirt and chips after threading and reaming the end of pipes.
- Gas piping installation must be supported to avoid mechanical strain/stress.
- Two wrenches must be used when connecting gas piping to the humidifier.
- Drip pocket must be provided at any low spot in the gas line.
- Minimum gas pipe gradient must be ¼" (6.5mm) per 40" (1000mm) horizontal run.
- Air purge must be done by disconnecting piping at the gas valve. Air purge must not be done at the heat exchanger of the humidifier.
- After installation, field piping and humidifier gas train must be checked for leaks. Do not use soap solution or open flame on the humidifier gas train. A gas leak detector must be used.
- All leaks must be sealed prior to commissioning the humidifier.

Gas Pipe Diameter

Table 9 - Gas Connection Size

<i>Model</i>	<i>Gas Connection Size</i>
SKG4-N1101 to 4052	Ø1" (25mm) Male
SKG4-N5053 to 8104	Ø1 ½" (40mm) Male

Refer to local codes and regulations regarding the type and volume of gas handled, in order to obtain the pressure drop allowed in the gas line and determine the gas pipe diameter.

When multiple SKG4 humidifier modules are installed, consideration must be taken to total capacity, gas flow and length of main.

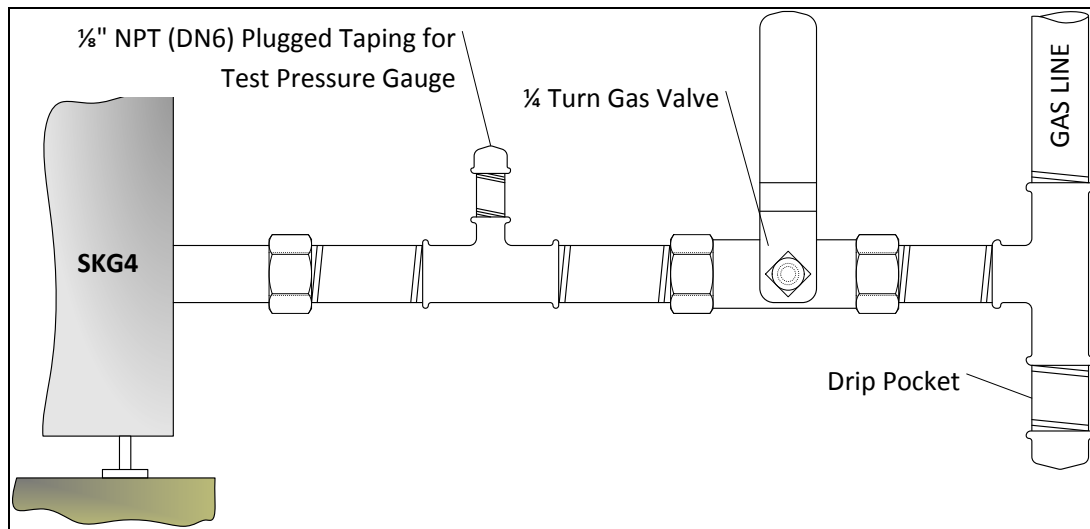


Illustration 27 - Gas Supply Connection

Gas Leak Test

- Pressure testing of the gas supply piping must be performed by the gas installer in accordance with local codes and regulations.
- Test pressure must be relieved from the gas piping system prior to opening the manual shut-off valve of the humidifier.
- For any test pressure over 50psig (350kPa), the humidifier must be disconnected (at the gas shut-off valve).
- The gas supply pressure at the inlet pressure tap, when all the burners are running, must be:
 - 7" w.c. (1.75 kPa) for natural gas.
 - 14" w.c. (3.5 kPa) for propane and butane.

Stage 4 - Water Supply Installation



Water supply installation must conform to Local and National Codes.
Any installation work must be carried out by suitably qualified personnel.

Water Inlet Specifications

The SKG4 humidifier is designed to be used with tap, reverse osmosis and deionised water.

- For normal operation, pre-treatment of water is not necessary.
- As the humidifier is equipped with the Neptronic Anti-Foaming Energy Conservation (AFEC) system, which drains the humidifier in the presence of foam to ensure clean and safe operation, the use of softened water is not required.

If a third party requires a water softener for any operational or equivalency purposes, ensure that the water dilution feature is enabled. To enable this function, configure the value of the *BlowdownRate* setting located in the *Installation* menu (see page 56 for details).

- Water Inlet Specifications:
 - Maximum water supply pressure: 25 to 70 psig (170 to 480kPa)
 - Minimum water temperature: 39°F (4°C)
 - Maximum water temperature: 104°F (40°C)

Water Supply Line Installation

- To facilitate servicing, a shut off valve (not supplied) must be installed in the water line, within 40" (1m) of the humidifier.
- It is recommended to install a water hammer arrestor, in order to absorb hydraulic shock and minimize water hammer when the fill valve closes.
- For outdoor installations in which the ambient temperature is below 32°F (0°C), ensure that all outdoor water supply pipe lines are properly insulated and heat traced in order to prevent freezing.

<i>Model</i>	<i>Water Inlet Connection Size</i>
SKG4-NXXXX	Ø1/2" (15mm) NPT Male

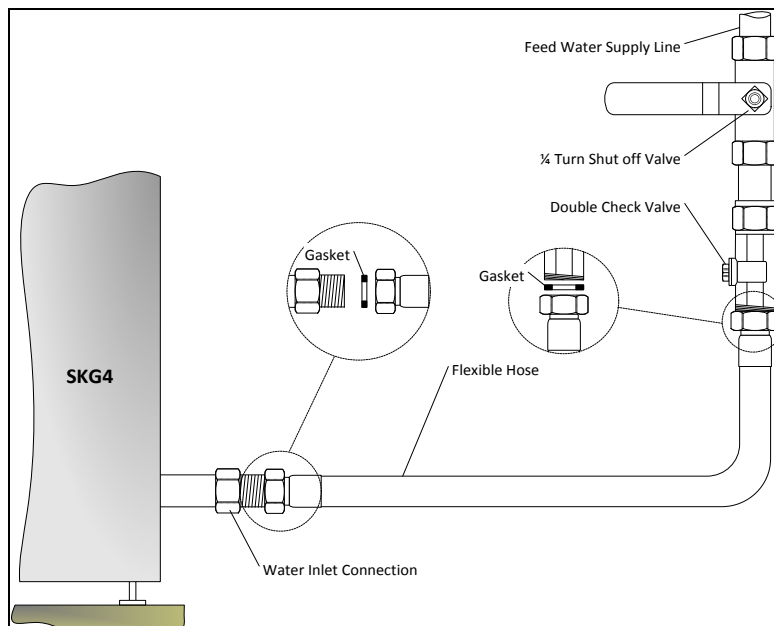


Illustration 28 - Water Supply Connections

Stage 5 - Water Drain Connection



Water drain installation must conform to Local and National Codes.
 Any installation work must be carried out by suitably qualified personnel.

Water Drain Specifications

Water drain temperature: 140°F (60°C)

Model	Water Drain Outlet Connection Size	Pan Drain Outlet Connection Size		Open Drain Minimum size
		Standard Humidifier	Weather Proof Enclosure	
SKG4-N1101 to 2101	Ø $\frac{7}{8}$ " (22mm)	Ø $\frac{5}{8}$ " (18mm)	Ø $\frac{7}{8}$ " (22mm)	Ø3" (80mm)
SKG4-N2652 to 4052	Ø1 $\frac{3}{8}$ " (36mm)			
SKG4-N5053 to 8104	Ø2" (50mm)			Ø4" (100mm)

Water Drain Installation

- Water drain outlet connection must be connected to drain pipe of sufficient size.
- It is recommended to use standard copper or stainless steel hydraulic pipes of sufficient size.
- It is recommended that the installed drain piping is rated for 212°F (100°C).
- Minimum water drain pipe gradient must be of $\frac{1}{4}$ " (6.5mm) per foot (300mm) horizontal run.
- No drain trap is required.
- Pan drain connection must be connected to drain pipe through separated line.

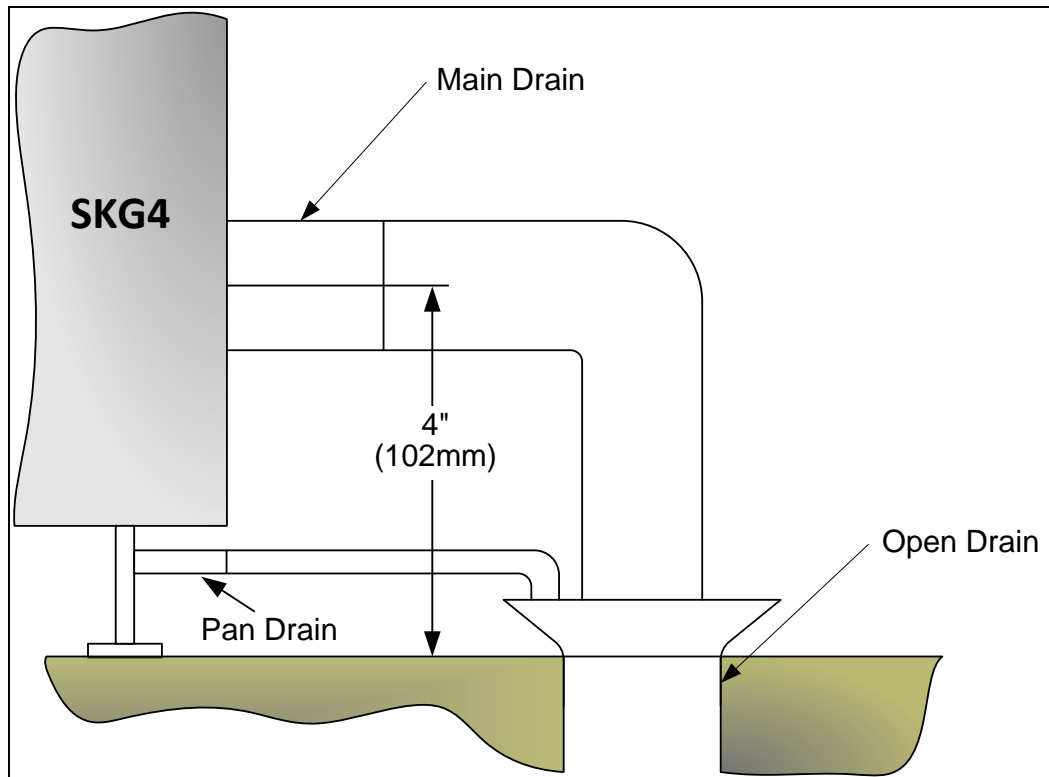


Illustration 29 - Water Drain Connections: Correct Installation

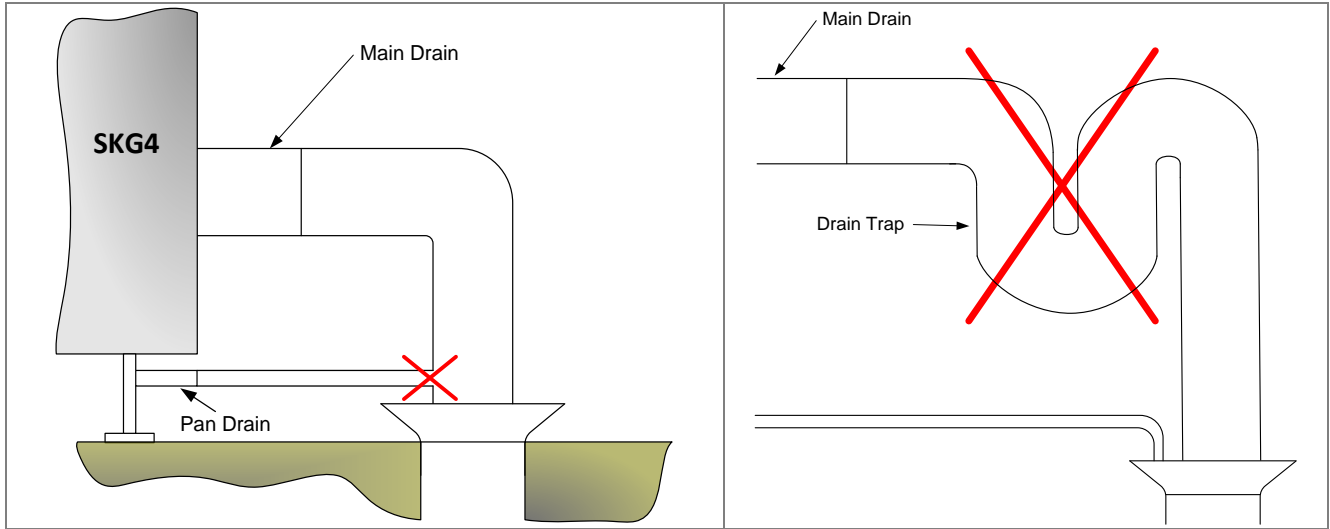


Illustration 30 - Water Drain Connections: Incorrect Installation

Pan Drain Connection on Weather Proof Enclosure

The weather proof enclosure is provided with a pan drain at the base of the SKG4 humidifier.

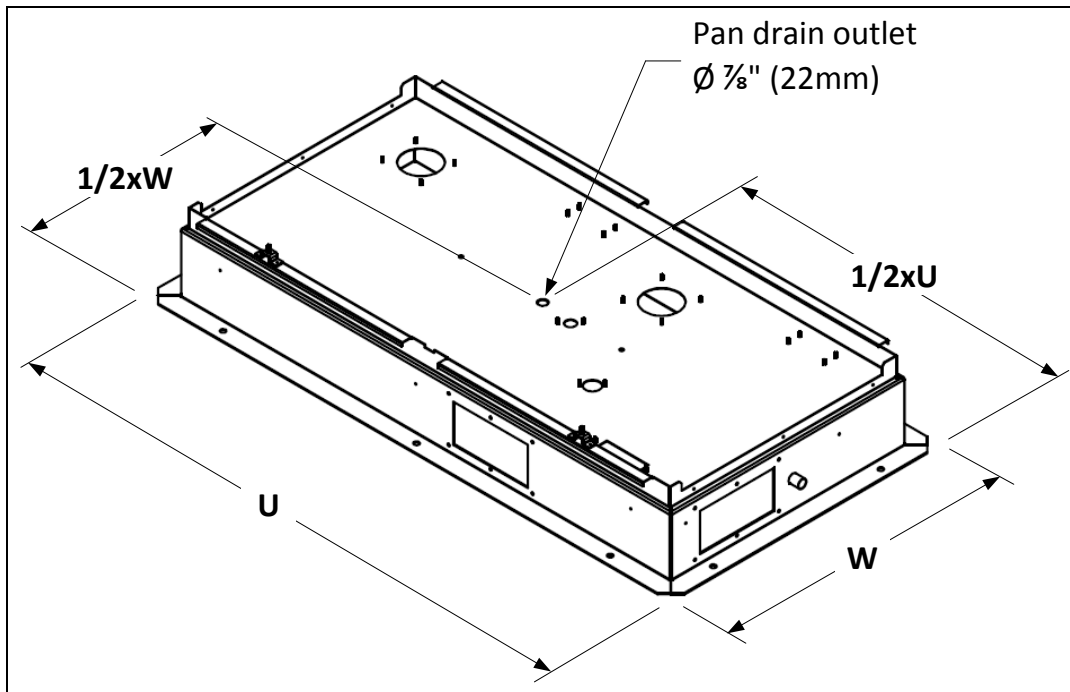


Illustration 31 - Weather Proof Enclosure Base Dimensions

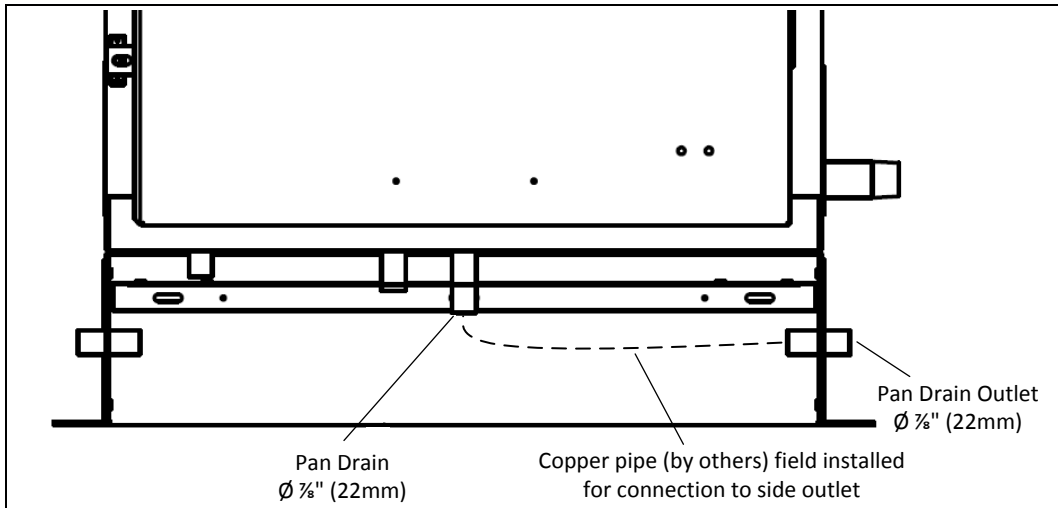


Illustration 32 - Weather Proof Enclosure Plumbing: Front View

Weather Proof Enclosure Water Drain Valve

The weather proof enclosure is equipped with a normally open valve, enabling the humidifier to drain all water during a power failure, in order to prevent water from freezing within the unit. During normal operation, the humidifier reduces drain water temperature to 140°F (60°C).



CAUTION: During a power failure, the drain water temperature is not reduced. Installed drain piping must be rated to 212°F (100°C).

Stage 6 - Combustion Air Installation



Combustion and room ventilation air must conform to local codes and regulations and to section 7.2, 7.3 or 7.4, Air for Combustion and Ventilation of the current editions of the ANSI Z223.1 (National Fuel Gas Code) or CAN/CSA-B149 regulations.

Any installation work must be carried out by suitably qualified personnel.

- Air for combustion must not be contaminated by halogens, ammonia, bromides, chlorides, fluorides, iodides or dust. Excessive exposure of humidifier to these contaminants will result in performance related problems. A humidifier that may be operated in toxic environments must be equipped with ducted combustion air installation.
- The operation exhaust of fans such as ventilation fans or other combustion appliances can create a negative pressure condition on the humidifier. Adequate air supply must be provided for the ventilation devices, in addition to that required by the humidifier.
- Any installation work must be carried out by suitably qualified personnel.
- With the exception of ducted combustion air installation, do not locate units in tightly sealed rooms or small compartments.
- Combustion and ventilation air must be supplied through one permanent low-level and one permanent high-level opening communicating directly with the outside air.
- The location of the air intake(s) must be at a sufficient height above ground level to prevent blocking due to accumulated debris.
- The supply air intake vent(s) must be equipped with a weather cap and bird screen, in order to prevent gusts of wind or water from entering, preventing mold build up or leakage in the ducts.
- The SKG4 humidifier has filtered air openings through the front door. Do not block or obstruct the humidifier air openings.
- The humidifier is factory adjusted for correct performance. Do not alter throttle setting or restrict blower combustion air inlet.

Combustion Air Specification - Natural Ventilation

Table 10 - Natural Ventilation Installation Openings

Model	Number of Modules	Natural Ventilation Installation	
		Minimum Low Level Opening – Inlet (in ²) [cm ²]	Minimum High Level Opening – Outlet (in ²) [cm ²]
SKG4-N1101 N/P	1	40 [240]	40 [240]
SKG4-N1551 N/P	1	60 [360]	60 [360]
SKG4-N1801 N/P	1	70 [420]	70 [420]
SKG4-N2101 N/P	1	80 [480]	80 [480]
SKG4-N2652 N/P	2	100 [600]	100 [600]
SKG4-N3102 N/P	2	120 [720]	120 [720]
SKG4-N3502 N/P	2	140 [840]	140 [840]
SKG4-N4052 N/P	2	160 [960]	160 [960]
SKG4-N5053 N/P	3	180 [1080]	180 [1080]
SKG4-N5603 N/P	3	200 [1200]	200 [1200]
SKG4-N6103 N/P	3	240 [1440]	240 [1440]
SKG4-N7104 N/P	4	280 [1680]	280 [1680]
SKG4-N7654 N/P	4	300 [1800]	300 [1800]
SKG4-N8104 N/P	4	320 [1920]	320 [1920]



Note 1: These minimum openings section are specified for the combustion air requirement of the SKG4 Humidifier. If other gas fired appliances are installed in the same room, the openings will have to be increased to be able to supply adequate combustion air for all of the appliances.

Note 2: For comparison with minimum flue gas venting spacing, refer to Stage 7.



Natural Ventilation Installation

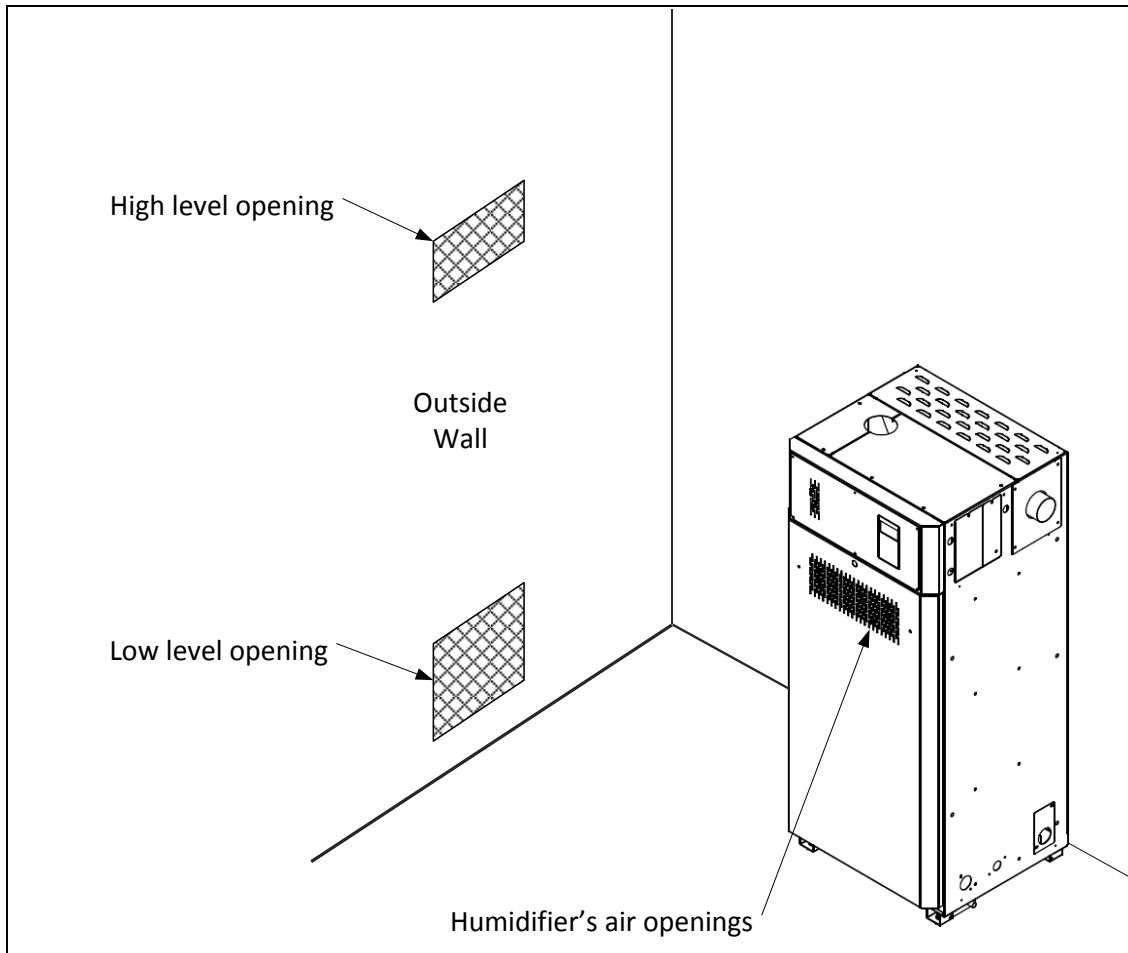


Illustration 33 - Natural Ventilation Configuration

Ducted Combustion Air

- The “Ducted Combustion Air” option, also called Sealed Combustion, is available upon request.
- When the “Ducted Combustion Air” option is installed, the requirements for minimum low level and high level natural ventilation do not apply.
- Installation of the combustion air duct must be as direct as possible, minimizing the number of turns or elbows, with a maximum of 6 elbows in total.
- Use only duct materials suitable to supply air from the outside to the humidifier.
- Combustion air duct length and flue gas venting pipe must not exceed:
 - 100ft (30m) - 10ft (3m) x (total number of 90° elbow) - 5ft (1.5m) x (total number of 45° elbow).
- Combustion air duct must be insulated to avoid condensing around the duct when outside air temperature is below 32°F (0°C).
- Ensure that the combustion air duct connections are air tight.
- The minimum combustion air duct upward gradient must be 3/4” (20mm) in 40” (1000mm) horizontal run.

<i>Model</i>	<i>Combustion Air Inlet Diameter per Module</i>
SKG4-NXXXX	Ø2” (51mm) O.D.

Single Module Humidifiers: SKG4-N1101 to SKG4-N2101

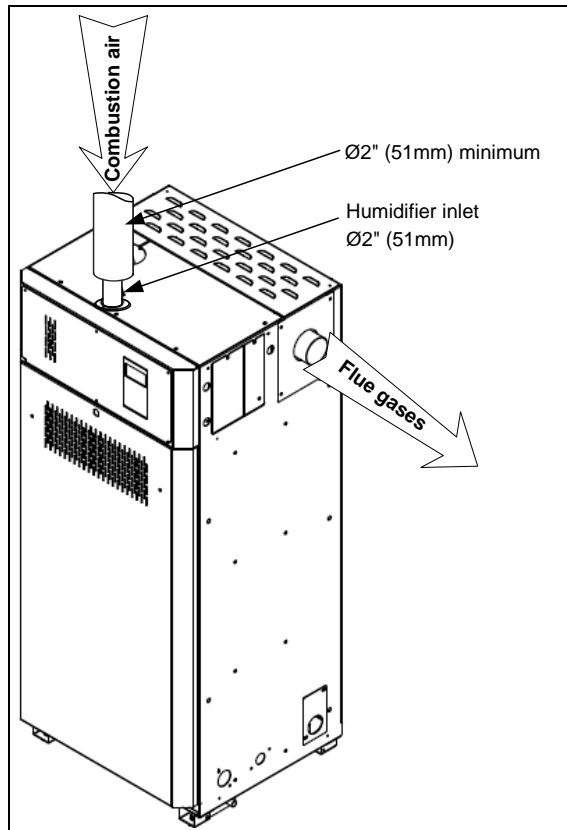


Illustration 34 - Ducted Combustion Air (1 Module)

2 Module Humidifiers: SKG4-N2652 to SKG4-N4052

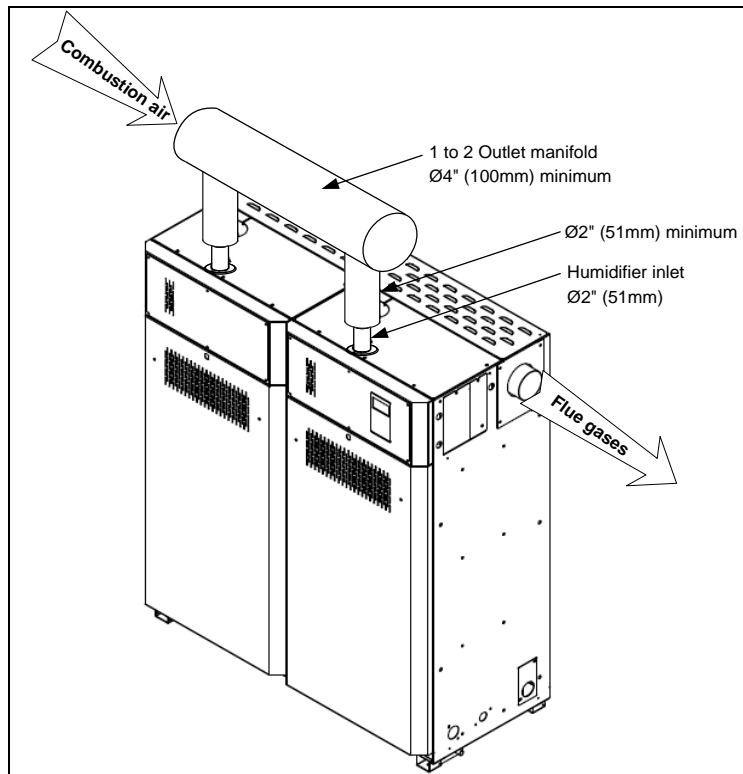


Illustration 35 - Ducted Combustion Air (2 Modules)



3 Module Humidifiers: SKG4-N5053 to SKG4-N6103

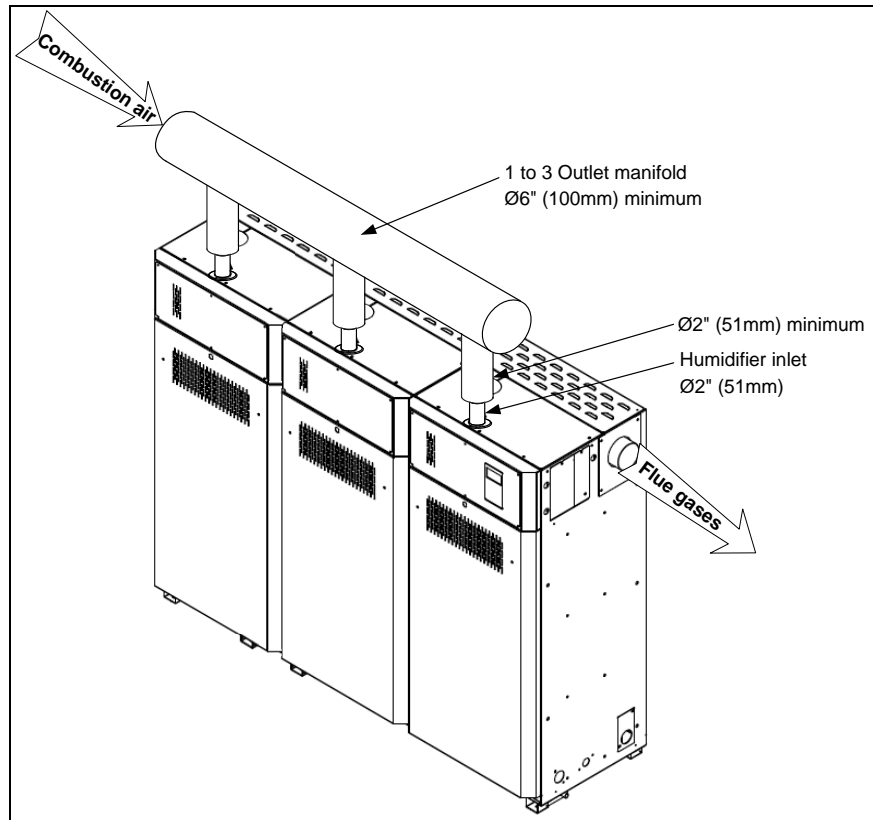


Illustration 36 - Ducted Combustion Air (3 Modules)

4 Module Humidifiers: SKG4-N7104 to SKG4-N8104

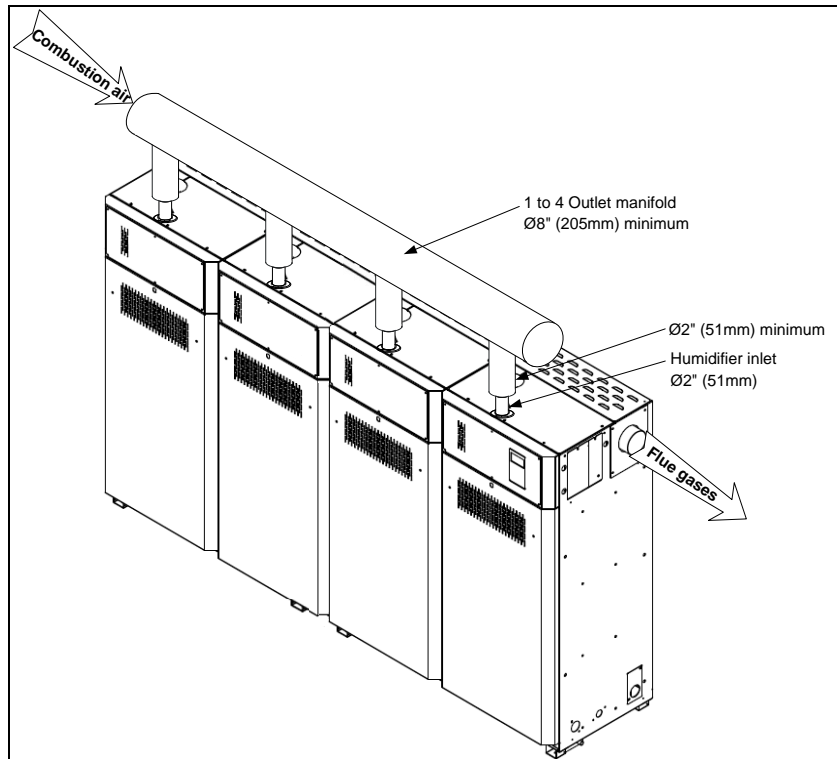


Illustration 37 - Ducted Combustion Air (4 Modules)

Stage 7 - Flue Gas Venting Connection



Flue gas venting must conform to local codes and regulations and to current editions of the ANSI Z223.1 (National Fuel Gas Code) or CAN/CSA-B149 regulations.

Any installation work must be carried out by suitably qualified personnel.

Install flue gas venting systems in accordance with vent manufacturer's instructions.

- The SKG4 humidifier must be installed with a listed BH vent with a single or double wall system for positive pressure and condensation. The vent must be made of AL29-4C stainless steel and be air and water tight.
- For safe and efficient operation of the SKG4 humidifier, flue gases (product of combustion) must be evacuated through a dedicated flue gas venting system to the outside air.
- Do not vent the SKG4 humidifier into another venting system serving another appliance. The humidifier must be vented by its own approved/listed flue system.
- Any flue gas venting pipes passing through floors, ceilings, and walls must be installed with proper clearances to combustible materials, and must be fire stopped according to local codes and regulations.
- Use only roof and wall penetration systems recommended by the flue gas venting system manufacturer.
- Flue gas venting pipe must be free of any restrictions or obstructions. The flue gas venting pipe diameter must be the same as the SKG4 flue gas connector.
- Do not use unlined masonry or concrete chimney as a flue gas venting system.
- The flue gas venting system must not extend into, or pass through, any circulation air duct or plenum.
- Installation of the flue gas venting pipes must be as direct as possible, minimizing the number of turns or elbows, with a maximum of 6 elbows in total.
- If flue gas venting pipe length exceeds 20ft (6.1m), it is recommended to install an approved insulated flue gas venting pipe, in order to reduce the formation of condensate.
- Ensure that the flue connection to the humidifier is air tight. Failure to do this will result in damage due to moist flue gases condensing.

Approved BH Vent Systems

An approved venting system must be used, such as one of the following:

- Chiminee Lining HEP, HEPL, HEPL2 rigid venting system.
- Flexmaster Z-Vent Model SVE Series III rigid venting system.
- DuraVent FasNSeal (single-wall) or FasNSeal W2 (double-wall) venting system.
- MagnaFlex PV Model insulated flexible venting system.
- Selkirk/HeatFab Saf-T Vent Model single-wall or double-wall venting system.

Flue Gas Venting Specification

- The SKG4 humidifier is a fan assisted condensing positive pressure flue gas appliance.
- Maximum flue gas temperature: 392°F (200°C).
- Maximum flue gas venting pipe length:
 - 100ft (30m) - 10ft (3m) x (total number of 90° elbow) - 5ft (1.5m) x (total number of 45° elbow).

Model	Single Flue Gas Outlet Diameter
SKG4-N1101 to 2101	Ø3" (76mm) O.D.
SKG4-N2652 to 4052	Ø4" (100mm) O.D.
SKG4-N5053 to 8104	Ø5" (125mm) O.D.

- Flue gas venting pipe diameter must be same as the SKG4 flue gas connector.
- Minimum flue gas venting pipe upward gradient must be 3/4" (20mm) in 40" (1000mm) horizontal run or as per flue gas venting manufacturer's instructions.
- The SKG4 humidifier is a condensing appliance. As such, its high efficiency may cause condensation in the flue gas venting.
- Condensate drip tee must be installed, as per flue gas venting manufacturer's instructions.

Flue Gas Terminal

- A proper flue gas terminal must be installed to prevent back flow or any other outside weather condition that may affect proper operation of the SKG4 Humidifier.
- Distances from the flue gas venting terminal to adjacent public walkways, buildings, and any open able windows or building opening must conform to local codes and regulations.
- Flue gas terminal must be at sufficient height above the ground level to prevent blocking by accumulated debris. Building materials must be protected from degradation by flue gases.
- Installation of the flue gas venting pipes must be as direct as possible, minimizing the number of turns or elbows, with a maximum of 6 elbows in total.
- Vertical flue gas terminal must extend at least 40" (1m) above the roof top, and 24" (0.6m) above any ridge located within 10ft (3m) from the terminal.
- The terminal inlets and outlets from separate combustion and air supply circuits for the supply of combustion air and the evacuation of combustion products must not terminate on different walls of the building.

Minimum Spacing

Table 11 - Minimum Spacing When Flue Gas Terminal is Located Towards Outside Air

Minimum Spacing (in) [mm]	Building or Other Element
12 [300]	Below adjacent opening (window, air vent or any other ventilation opening).
3 [75]	Below a gutter, drain or soil pipe.
8 [200]	Below eaves catch or, balcony.
3 [75]	Beside vertical drain or soil pipe.
12 [300]	Beside adjacent corner or other flue gas terminal.
6 [150]	Beside adjacent opening (door, window, air vent or any other ventilation opening).
12 [300]	Above adjacent ground or balcony level.
84 [2100]	Above ground level, in areas accessible to public.
60 [1500]	Above or below other flue gas terminal.
24 [600]	From a surface facing the terminal.
48 [1200]	From a facing other flue gas terminal.
50 [1250]	Above, below, beside or facing any electric or gas meter, regulator or relief device.

Table 12 - Minimum Spacing When Flue Gas Terminal is Located in Car Port for Residential Building

Minimum Spacing (in) [mm]	Building or Other Element
8 [200]	Below car port ceiling.
3 [75]	Beside vertical drain or soil pipe.
12 [300]	Beside adjacent corner or other flue gas terminal.
48 [1200]	Beside adjacent opening (door or window).
12 [300]	Above adjacent ground or balcony level.
84 [2100]	Above ground level, in areas accessible to public.
60 [1500]	Above or below other flue gas terminal.
24 [600]	From a surface facing the terminal.
48 [1200]	From a facing other flue gas terminal.
50 [1250]	Above, below, beside or facing any electric or gas meter, regulator or relief device.

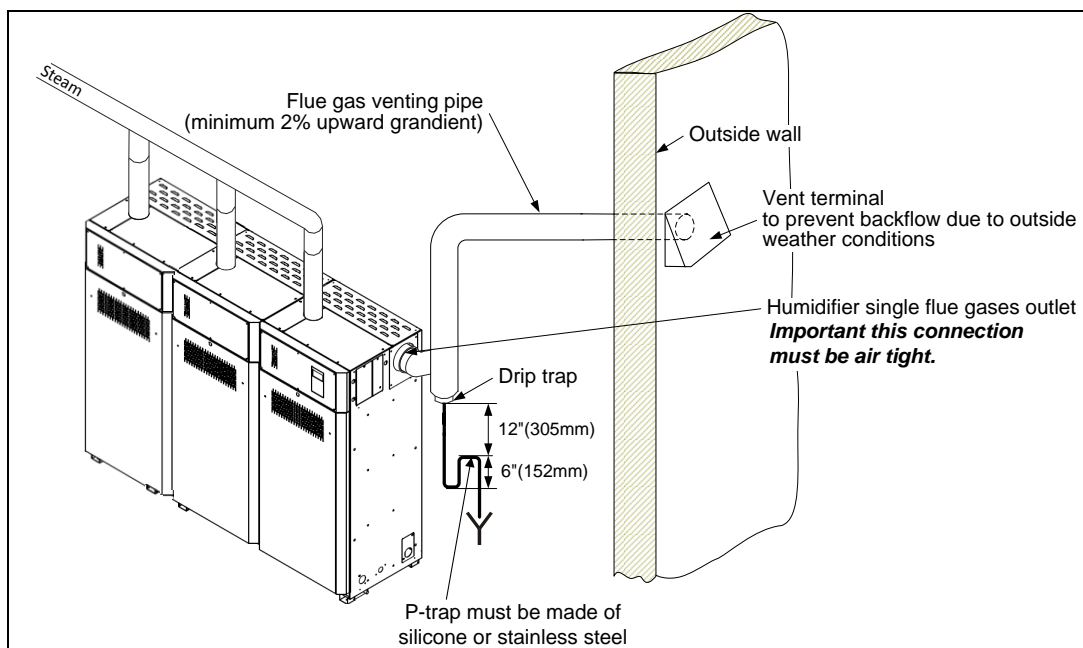


Illustration 38 - Typical Flue Gas Installation (3 Modules)

Stage 8 - Electrical Supply and Installation



CAUTION: Risk of electric shock. Disconnect the humidifier from the electric supply before proceeding with the connection.



All work concerned with electrical installation MUST only be performed by a qualified electrician and must conform to the procedure, regulation and local codes.

- Use copper power conductor only.
- All incoming power supplies must be externally fused for over current protection.
- The electrical supply must also be isolated for the purpose of emergency and servicing.
- The isolator must have a contact separation of at least 1/8" (3 mm).
- An external over current protection and disconnect circuit breaker must be installed on the supply, adjacent to the humidifier.
- To provide strain relief to the supply cable, install a knock-out (not supplied) at the bottom of the electrical compartment of the humidifier.
- Ensure that the size of the wire conductors is appropriate for the maximum current supplied.
- Ensure that the incoming power cable is secured via suitably sized cable gland.
- Ensure that each terminal connection is secured firmly with a cable ferrule.
- The humidifier cabinet has an uninterrupted or unbroken electrical ground. Do not use gas piping as an electrical ground.

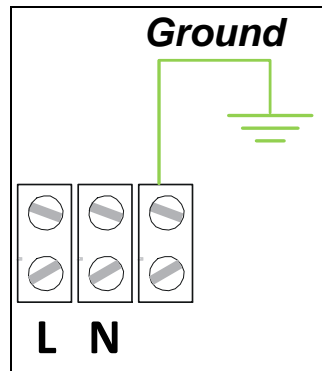


Illustration 39 - Power Supply Connection

Electrical Power Supply

Table 13 - SKG4 Electrical Power Supply

Model	Voltage	Standard	Weather Proof Enclosure	Weather Proof Enclosure with Fan Heater Option
		Current (A)	Current (A)	Current (A)
SKG4-N1101 to 2101	120 - 1ph	6.0	7.2	12.2
	208 - 1ph	3.5	4.2	6.7
	240 - 1ph	3.0	3.6	6.1
SKG4-N2652 to 4052	120 - 1ph	9.0	11.4	21.4
	208 - 1ph	5.2	6.6	11.6
	240 - 1ph	4.5	5.8	10.8
SKG4-N5053 to 6103	120 - 1ph	12.0	15.6	30.6
	208 - 1ph	7.0	9.0	16.5
	240 - 1ph	6.0	7.8	15.3
SKG4-N7104 to 8104	120 - 1ph	15.0	19.0	39.0
	208 - 1ph	8.7	11.0	21.0
	240 - 1ph	7.5	9.5	19.5

Stage 9 - Electrical Control Connections

Electrical Control Connections

The SKG4 humidifier has a modulating control system and requires an analog control signal.

All controls connections have been grouped on a specific control board.

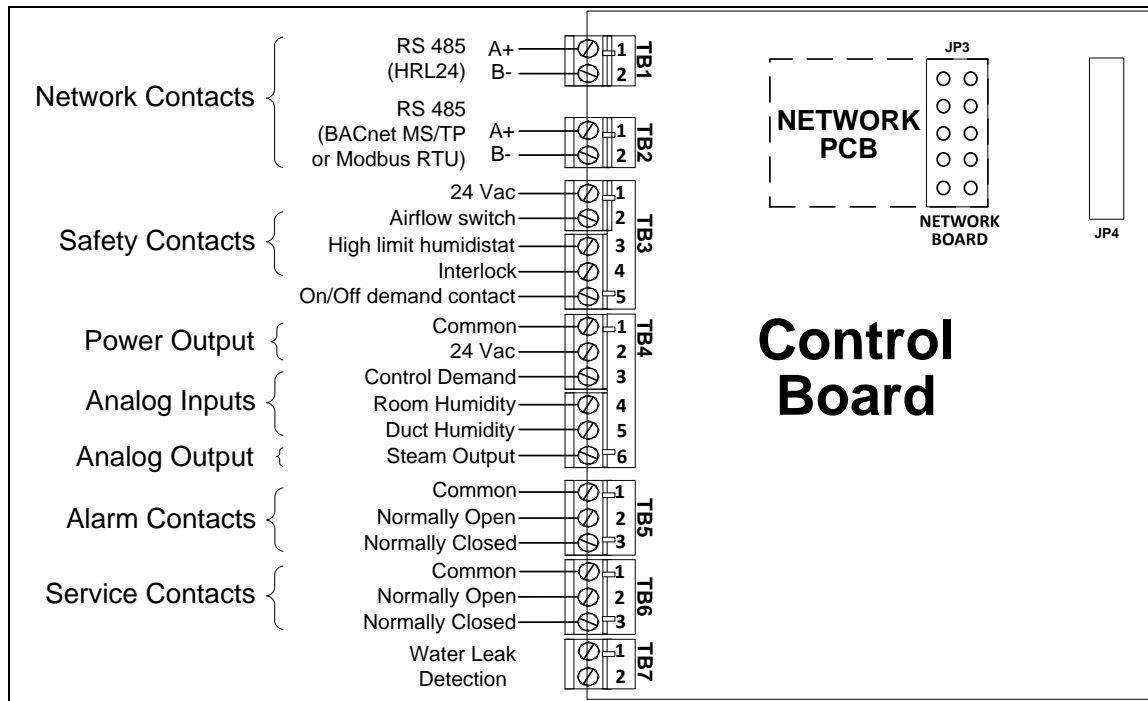


Illustration 40 - Electrical Control Connections

Safety Contact Connections

The **Airflow switch** contact must be wired between terminals TB3 1&2. If this contact opens, operation of the SKG4 unit will stop. The unit will display the airflow switch as open, but will not generate an alarm. If an airflow switch is not used, install a jumper between terminals TB3 1&2.

The **High limit humidistat** contact must be wired between terminals TB3 1&3. If this contact opens, operation of the SKG4 unit will stop and an **alarm** message will be displayed. If a high limit humidistat is not used, install a jumper between terminals TB3 1&3.

The **Interlock** must be wired between terminals TB3 1&4. If this contact opens, operation of the SKG4 unit will stop. The unit will display the Interlock as open, but will not generate an alarm. If Interlock is not used, install a jumper between terminals TB3 1&4.

Dry Contacts

Two series of volt free contacts are provided:

1. Alarm Contacts
2. Service Contacts

- These contacts are used to switch a low voltage, ideally 24V, with a switching current of no more than 3 Amps.
- Each series has one Normally Closed contact and one Normally Open contact.
- It is recommended to use the Normally Closed contact, as this contact will open in the event of a humidifier fault.

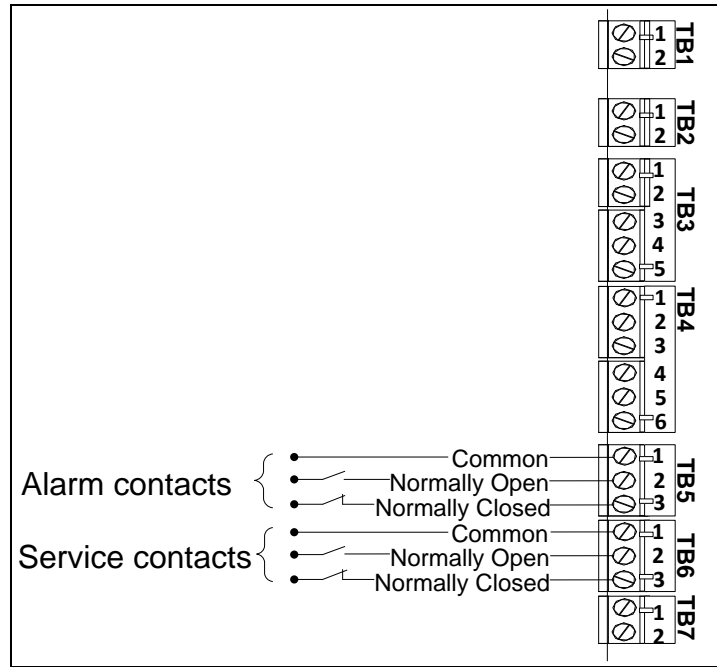


Illustration 41 - Alarm and Service Contact Wiring

Humidifier Control

Analog Signals

For operation of modulating humidifiers, the analog signal(s) must be connected between terminals TB4 1 and TB4 3, 4 and/or 5. To configure the source of the signal(s), access the *Control* sub-menu located in the *Installation* menu (see page 56).

Humidity Control by Humidistat (External Mode)

Humidity controlled externally, using HRO20 humidistat:

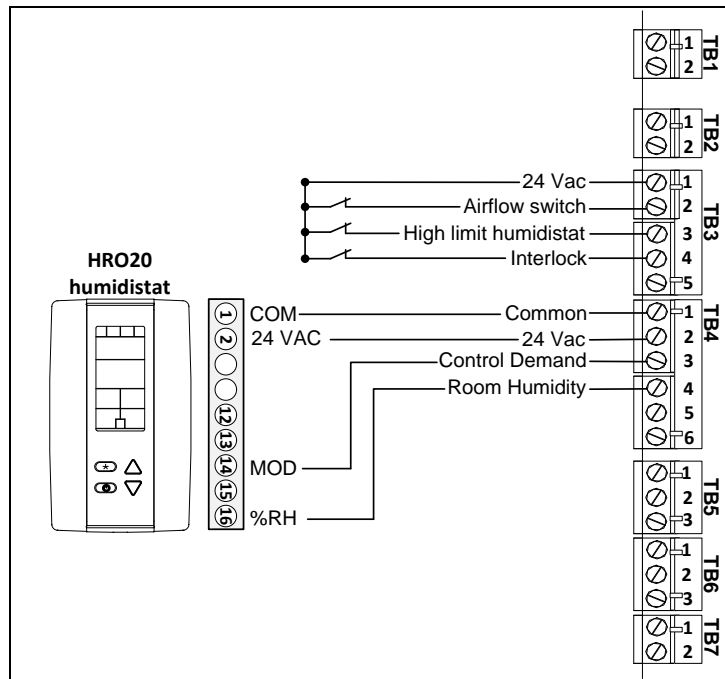


Illustration 42 - Control Signal from HRO20 Humidistat

Humidity controlled externally, using HRO20 humidistat with SHR10 or SHC80 as space sensor:

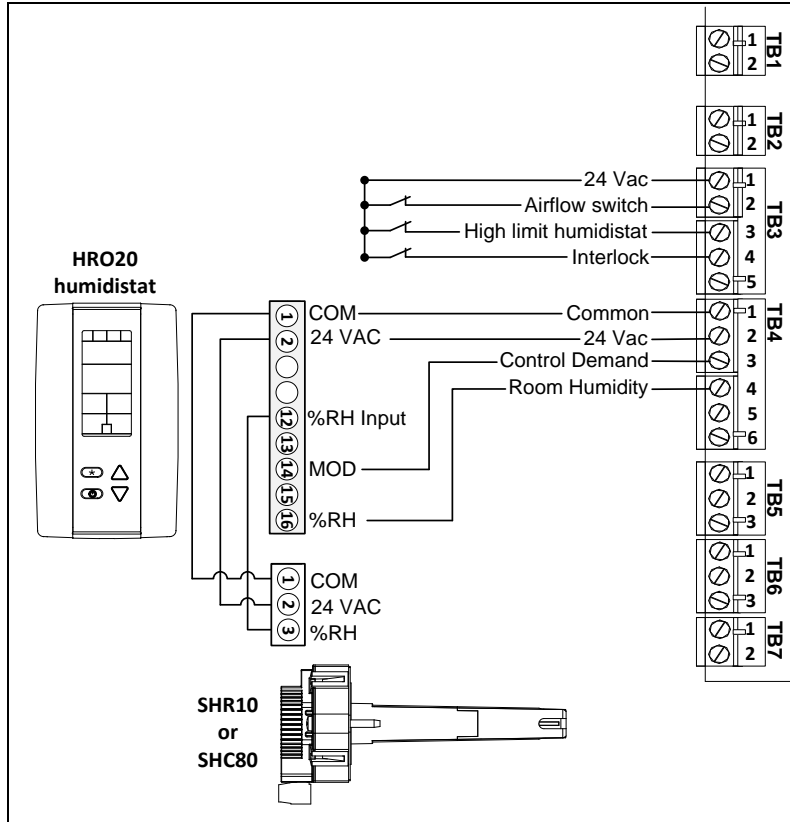


Illustration 43 - Control Signal from HRO20 Humidistat with Remote Humidity Sensor (SHR10 or SHC80)

Humidity Control by Humidifier (Internal Mode)

Humidity controlled internally, using SHR10 or SHC80 as space sensor:

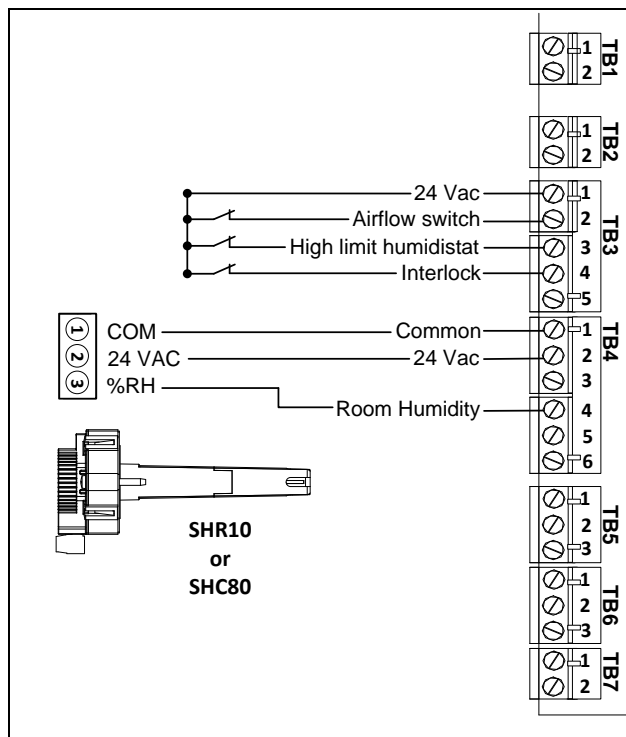


Illustration 44 - Humidity Signal from Remote Humidity Sensor (SHR10 or SHC80)

Humidity Control by External Signal

Humidity controlled externally, using an external signal source:

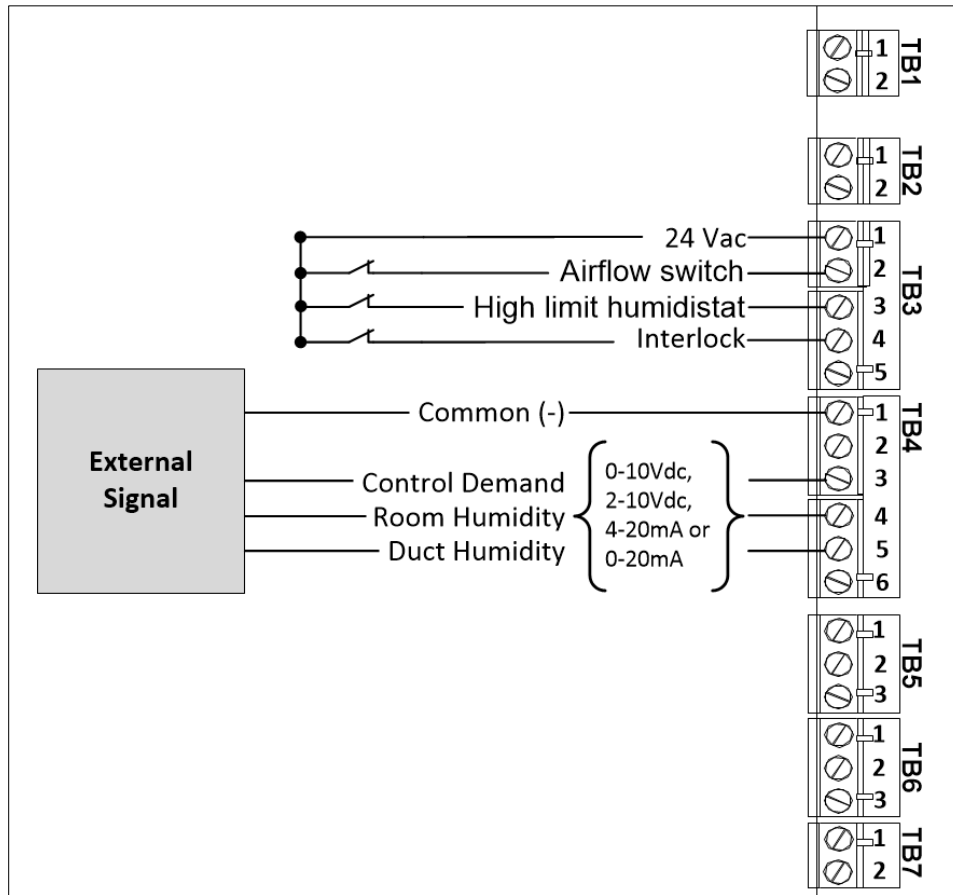


Illustration 45 - Control Signal from External Device

Network Communication

If the control signal is from a BACnet MS/TP or Modbus RTU network, connect terminals TB2 1&2 to the network (RS485 A+ & B-).

If the control signal is from a HRL24, connect terminals TB1 1&2 to the network (RS485 A+ & B-).

The network control signal(s) must be selected by accessing the *Control* sub-menu located in the *Installation* menu (see page 56). To setup the communication parameters, access the *Integration* menu (see page 56).

i *Note: BACnet MS/TP is configured by default. To change the communication interface to Modbus RTU, access the NtwrkOption setting located in the Network sub-menu of the Integration menu (see page 56).*

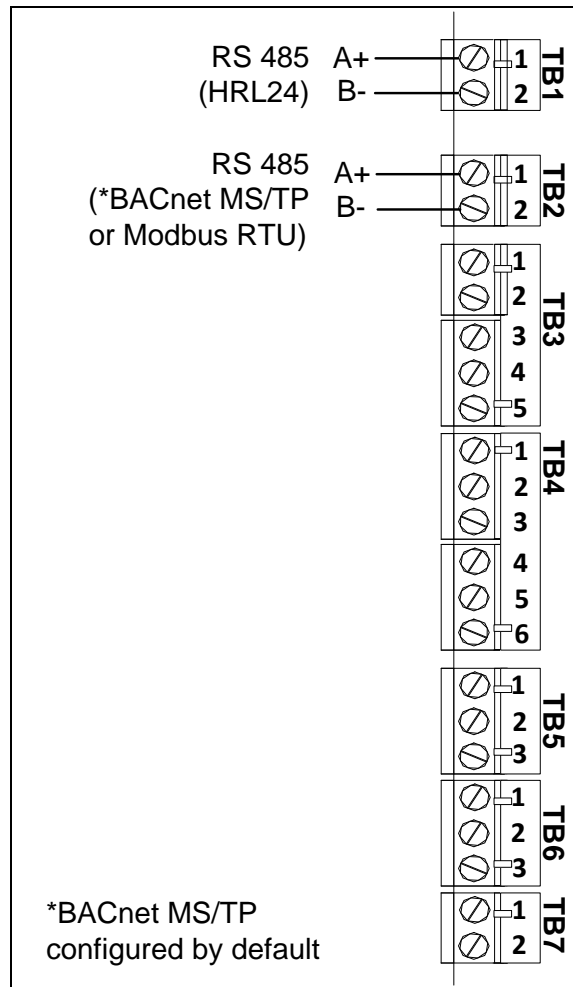


Illustration 46 - Network Communication Connections

Controls Placement (Steam Dispersed into a Duct or AHU)

A typical humidifier control system includes the following along with the humidifier:

- A wall or return duct humidistat
- A high limit duct humidistat
- An airflow switch

Placement of these devices is critical to the proper operation of the overall system.

- The return air humidistat must always be located in the return air duct, in order to ensure accurate sensing of the air from the humidified space.
- Alternatively, a room humidistat can be used. The room humidistat must be located on an inside wall or column. It must not be near any discharge air from supply ducts or sources of heat or cold.
- The airflow switch must be placed in a position capable of accurately opening on a loss of air flow, in order to prevent the humidifier from running when there is no air to absorb humidity.
- The high limit humidistat must be positioned far enough, minimum 15ft (4.6m), downstream of the steam dispersion manifold(s) to prevent over humidification of the duct that could result in condensation.
- Any device that may be triggered by high humidity levels in close proximity to the steam dispersion manifold must also be positioned at least 15 ft (4.6 m), downstream of the dispersion manifold(s).

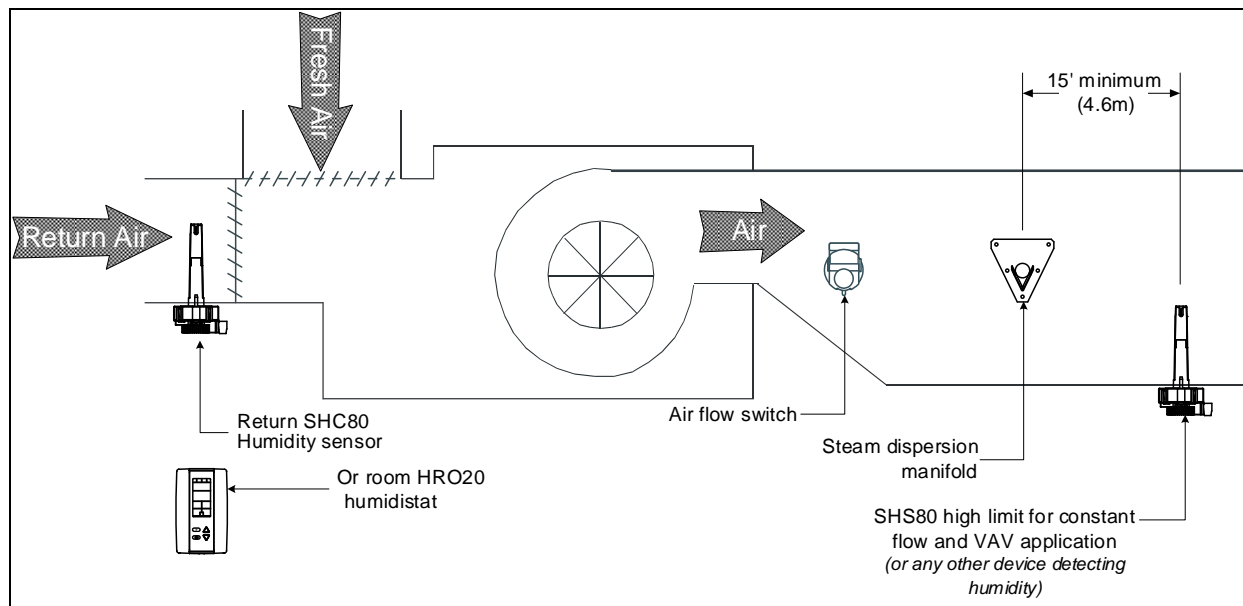


Illustration 47 - Controls Placement (Steam Dispersed into a Duct or AHU)

Controller Configuration

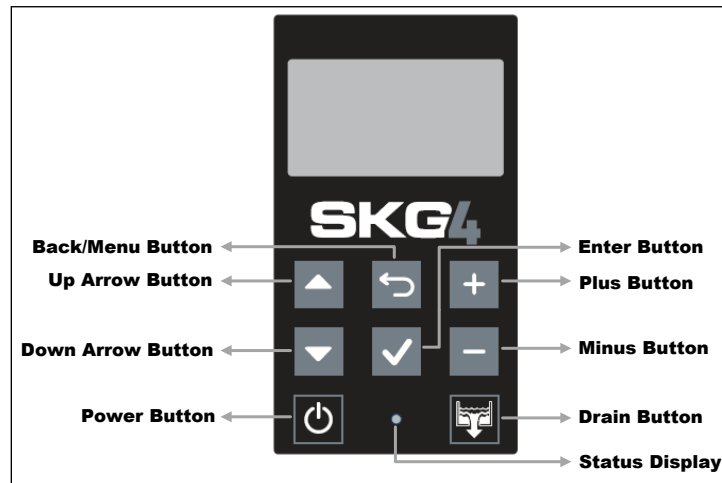













Illustration 48 - SKG4 Controller

Control Panel Features

The following are the features of the Control Panel and their description:

Table 14 - Humidifier Control Panel Description

Feature		Description
Status Display	 (Blue)	Indicates that the humidifier is turned on. The LED will begin blinking as the system is initializing.
	 (Red)	Indicates that the alarm is issuing a warning and that the system must be verified.
	 (Off)	Indicates that the humidifier is turned off.
Power Button		The power button is used to turn the humidifier on or off. Must be pressed and held for 3 seconds to perform the related action, in order to prevent accidental activation. Even when the humidifier is powered off, the controller remains operational.
Drain Button		The drain button is used to manually activate the drain cycle. Must be pressed and held for 3 seconds to perform the related action, in order to prevent accidental activation. Even when the humidifier is powered off, a drain cycle may be initiated. <i>Once the manual drain cycle is completed, the system will automatically be powered off. To turn the humidifier back on, press and hold the power button.</i>
Up and Down Arrow Buttons		The up arrow button is used to scroll to the next menu item or parameter.
		The down arrow button is used to scroll to the previous menu item or parameter.
Plus and Minus Buttons		The plus button is used to increase the value of the displayed parameter.
		The minus button is used to decrease the value of the displayed parameter.
Back/Menu Button		The back/menu button is used to go to previous menu or to access the Main Menu page from the Idle Screen.
Enter Button		The enter button is used to advance to the next sub-menu, to access the selected option or to confirm set parameter value.

Idle Screen

When the controller is in operation, the unit displays the following information on the Idle Screen:

Table 15 - Idle Screen Display Description

Setting	Default	Range <i>(* indicates no configuration; display only)</i>	Description/Notes
HumDemand:	<i>Current value</i>	* (min: 0.00%, max: 100.00%)	Displays the current humidity demand value.
ControlState:	<i>Current value</i>	* (Off, Normal, LowLimit, HighLimit, NoAirFlow, Interlock)	Displays the current state of the safety control circuit and whether the circuit has been disconnected due to a safety switch.
PowerOutput:	<i>Current value</i>	* (min: 0.00%, max: 100.00%)	Displays the measured power output of the system as a percentage of the total power.

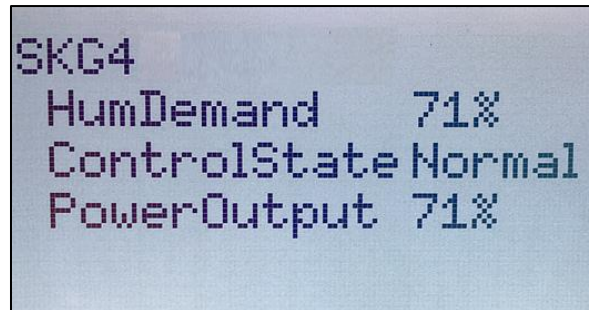


Illustration 49 - Idle Screen Display

Menu Access


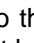
- From the Idle Screen, the Main Menu can be accessed by pressing the Back/Menu button , enabling access to the General menu.
- To view other menu options and perform configurations to the system, press Enter  while on the Idle Screen to advance to the Login Screen, where a valid password must be entered.
- Four different passwords can be used, each granting access to an additional menu option depending on the access level assigned to the provided password.
- If a password of higher access is provided, all menu options accessible with the use of a lower level password will also be unlocked.

Table 16 - Access Levels

Access Level	Password	Menu Unlocked	Description/Notes
1	None	General	Grants access to General menu.
2	2222	User	Grants access to General and User menus.
3	3322	Service	Grants access to General, User and Service menus.
4	4433	Installation	Grants access to General, User, Service and Installation menus.
5	5544	Integration	Grants access to General, User, Service, Installation and Integration menus.



Note: To modify or retrieve lost passwords, please contact factory.



- A. After accessing the Login Screen, use the + or - buttons to increase or decrease the value of the number that is highlighted.
- B. Use the ▲, ▼ buttons to scroll to the next or previous number.
- C. Press Enter ✓ to confirm the password once completed. If you enter the wrong password, the SKG4 controller displays a "Login Failed" message.
- D. The Back/Menu button ↵ may also be used to return to the Idle Screen display.

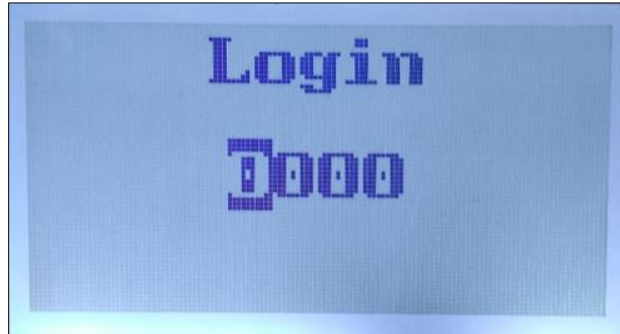


Illustration 50 - Login Screen

Menu Navigation and Configuration

- A. Use the ▲, ▼ buttons to select the desired menu category and press Enter ✓ to advance to the next sub-menu.
- B. Use the + and - buttons to increase and decrease values. Use the ▲, ▼ buttons to scroll to the next or previous parameter. Values are saved as soon as a change is made.
- C. Press the Back/Menu button ↵ to go back one menu. The current menu location is displayed at the top of the screen.
- D. To exit completely, press the Back/Menu button ↵ until you return to the Idle Screen. After 5 minutes of inactivity, the controller will automatically return to the Idle Screen.

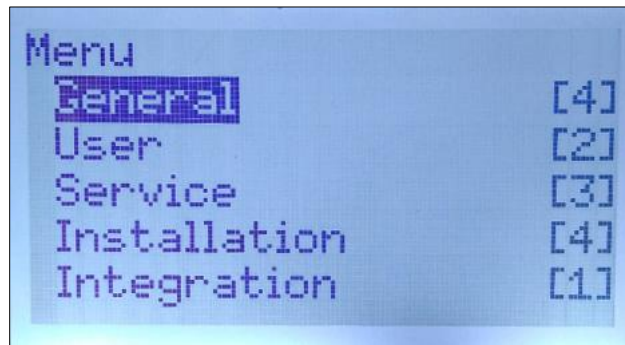


Illustration 51 - Main Menu Page



Note: Available settings and range selections may vary depending on current configuration. The tables in the following sections display all the possible selections. The Description/Notes column indicates the conditions required for the associated setting to appear.

Menu - General [Level 1 - No password required]

Press the back/menu button from the Idle Screen to access the General menu

Sub-Menu	Setting	Default	Range (* indicates no configuration; display only)	Description/Notes	
Status	Interlock:	Closed	* (Closed, Open)	Displays the status of the interlock. If <i>Open</i> is displayed, it indicates that the humidifier is stopped as a result of the interlock safety being open.	
	SupplyHighLimit:	Closed	* (Closed, Open)	Displays the status of the high limit contact. If <i>Open</i> is displayed, it indicates that the humidity level has exceeded the setpoint on the high limit humidistat.	
	AirFlow	Closed	* (Closed, Open)	Displays the status of the airflow switch. If <i>Open</i> is displayed, it indicates that the airflow is not detected by the air pressure switch.	
	OccupancyState:	<i>Current value</i>	* (Occupied, Unoccupied, Vacant, Off)	Displays the current occupancy state.	
	HumDemand:	<i>Current Value</i>	* (min: 0.00%, max: 100.00%)	Displays the current humidity demand value.	
	ControlState:	<i>Current Value</i>	* (Off, Normal, LowLimit, HighLimit, Airflow, Interlock)	Displays the current state of the safety control circuit and whether the circuit has been disconnected due to a safety switch.	
	PowerOutput:	<i>Current value</i>	* (min: 0.00%, max: 100.00%)	Displays the measured power output of the system as a percentage of the total power.	
	Module1 to 4 [3]				
		BoilerDemand:	<i>Current value</i>	* (min: 0.00%, max: 100.00%)	Displays the measured humidity demand of the humidifier module.
		ServiceDue:	Off	* (Off, On)	Displays whether the humidifier module is due for servicing.
	Module1to4State:	<i>Current value</i>	* (Off, Idle, LineRinse, TankRinse, Filling, Draining, Heating, Boiling, Alarm, PurgeAir)	Displays the current state of operation of the humidifier module.	
	WtrProbeFail:	None	* (None, Capacitive, Resistive, Both)	Displays which one of the water level sensor's probes is currently not functioning properly.	
Control	RoomDemand:	<i>Current value</i>	* (min: 0.00%, max: 100.00%)	Displays the room humidity demand value. (Only appears if <i>ControlProfile</i> is set to an internal control mode or <i>HumCntrlDemandSrc</i> is set to <i>RoomDemand</i>.)	
	SupplyHLDemand:	<i>Current value</i>	* (min: 0.00%, max: 100.00%)	Displays the supply high limit humidity demand value. (Only appears if <i>ModHLProfile</i> is set to an internal control mode or <i>HumCntrlHLSrc</i> is set to <i>SupplyHLDemand</i>.)	
Physical IO	WtrLeakDet:	Ok	* (Ok, Leak)	Displays whether a water leak has been detected. If <i>Leak</i> is displayed, it indicates that there is a leak within the water line.	
	SupplyHLRH:	<i>Current value</i>	* (min: 0.00%, max: 100.00%)	Displays the supply high limit humidity reading value. (Only appears if <i>ModHLProfile</i> is set to <i>InternAnalog</i> or <i>SupplyHLReadingSrc</i> is set to <i>SupplyHLRH</i>.)	
	RoomRH:	<i>Current value</i>	* (min: 0.00%, max: 100.00%)	Displays the room humidity reading value. (Only appears if <i>ControlProfile</i> is set to <i>InternAnalog</i> or <i>RoomRHSrc</i> is set to <i>RoomRH</i>.)	
	ControllInput:	<i>Current value</i>	* (min: 0.00%, max: 100.00%)	Displays the current control input reading.	
	BinExtDemand:	0%	* (0%, 100%)	Displays whether there is currently a humidity demand, when an On/Off humidifier is used. (Only appears when using an On/Off humidifier.)	
	Interlock:	Closed	* (Closed, Open)	Displays the status of the interlock. If <i>Open</i> is displayed, it indicates that the humidifier is stopped as a result of the interlock safety being open.	

Sub-Menu	Setting	Default	Range <i>(* indicates no configuration; display only)</i>	Description/Notes	
Physical IO	SupplyHighLimit:	Closed	* (Closed, Open)	Displays the status of the high limit contact. If <i>Open</i> is displayed, it indicates that the humidity level has exceeded the setpoint on the high limit humidistat.	
	AirFlow:	Closed	* (Closed, Open)	Displays the status of the airflow switch. If <i>Open</i> is displayed, it indicates that the airflow is not detected by the air pressure switch.	
	ServiceWarnRelay:	<i>Current value</i>	* (Off, On)	Displays the status of the service warning relay.	
	AlarmWarnRelay:	<i>Current value</i>	* (Off, On)	Displays the status of the alarm warning relay.	
	PowerOutFdbck:	<i>Current value</i>	* (min: 0.00%, max: 100.00%)	Displays the feedback value of power output analog output.	
	WtrLvl1:	<i>Current value</i>	* (min: 0.0%, max: 120.0%)	Displays the percentage of water remaining in the evaporation chamber for the first humidifier module.	
	WtrLvl2:	<i>Current value</i>	* (min: 0.0%, max: 120.0%)	Displays the percentage of water remaining in the evaporation chamber for the second humidifier module. (Only appears when there is a second humidifier module.)	
	WtrLvl3:	<i>Current value</i>	* (min: 0.0%, max: 120.0%)	Displays the percentage of water remaining in the evaporation chamber for the third humidifier module. (Only appears when there is a third humidifier module.)	
	WtrLvl4:	<i>Current value</i>	* (min: 0.0%, max: 120.0%)	Displays the percentage of water remaining in the evaporation chamber for the fourth humidifier module. (Only appears when there is a fourth humidifier module.)	
	Module1 to 4 [17]				
		ChimneyTemp1 to 4:	<i>Current value</i>	* (32.00°F, 500.00°F) * [min: 0.00°C, max: 260.00°C] Units: C, F	Displays the flue gas temperature value.
		WtrTemp1 to 4:	<i>Current value</i>	* (min: 32.00°F, max: 257.00°F) * [min: 0.00°C, max: 125.00°C] Units: C, F	Displays the temperature of water in the evaporation chamber.
		WtrFreq:	<i>Current value</i>	* (min: 0 Hz, max: 30000 Hz)	Displays the measured input frequency of the water level sensor.
		AmbientTemp1 to 4:	<i>Current value</i>	* (-40.00°F, 212.00°F) * [min: -40.00°C, max: 100.00°C] Units: C, F	Displays the temperature value inside of the weather proof enclosure. (Only appears for units with the weather proof enclosure.)
		FanFdbck:	<i>Current value</i>	* (min: 0Hz, max: 2000Hz)	Displays the feedback value from the burner fan.
		FanPWM:	<i>Current value</i>	* (0.00%, 100.00%)	Displays the strength of the PWM control signal from the burner fan.
		BurnerAirInlet:	Normal	* (Normal, Blocked)	Displays the status of the burner inlet air pressure switch. If <i>Blocked</i> is displayed, it indicates that the air pressure switch is open due to the burner inlet being blocked.
		WtrLvlLow:	<i>Current value</i>	* (Inactive, Active)	Displays the status of the resistive low water level sensor.
		WtrLvlHigh:	<i>Current value</i>	* (Inactive, Active)	Displays the status of the resistive high water level sensor.
		FoamSensor1 to 4:	NoFoam	* (NoFoam, Foam)	Displays whether foam has been detected within the evaporation chamber. If <i>Foam</i> is displayed, it indicates that the Anti-Foaming Energy Conservation (AFEC) system has detected foam. The humidifier will drain for a few minutes and return to normal operation.
	GasValve:	<i>Current Value</i>	* (Off, On)	Displays the status of the gas valve.	
	TankWtrValve:	<i>Current value</i>	* (Off, On)	Displays the status of the evaporation chamber water supply valve.	
	WtrLvlValve:	<i>Current value</i>	* (Off, On)	Displays the status of the water level sensor supply valve.	
	DrainCoolValve:	<i>Current value</i>	* (Off, On)	Displays the status of the internal drain cooler valve.	

Sub-Menu	Setting	Default	Range <i>(* indicates no configuration; display only)</i>	Description/Notes
Physical IO	DrainPump:	<i>Current value</i>	* (Off, On)	Displays the status of the drain pump.
	IgnitionCtrl:	<i>Current Value</i>	* (Off, On)	Displays the status of the ignition control module.
	DrainValve:	On	* (On, Off)	Displays the status of the normally open drain valve. (Only appears for units with the weather proof enclosure.)
System	SysStatus:	Operational	* (Operational, Operational Read-Only, Download required, Download in progress, Non-operational, Backup in progress)	Displays the current system status.
	Vendor:	Neptronic	*	Displays the name of the vendor of the product. (Always Neptronic)
	Model:	-	*	Displays the humidifier model name.
	CoreVersion:	1.06.201908291512	*	Displays the current firmware core revision.
	AppVersion:	1.01.20191003	*	Displays the current application software version.
	SerialNo:	-	*	Displays the serial number of the humidifier.
	Profile:	-	*	Displays a short profile for the configured device.
	MCULoad:	<i>Current value</i>	* (min: 0.0%, max: 100.0%)	Displays the current microcontroller load.
	MemoryLoad:	<i>Current value</i>	* (min: 0.0%, max: 100.0%)	Displays the current memory load.
	Runtime:	<i>Current value</i>	* (min: 0 sec, max: 999999999 sec)	Displays the number of seconds that the system has been powered on. This value is reset every time the system is shut off.
ResetReason:	None	* (None, BOR, Pin, POR, Soft, IWDG, WWDG, LPWR, Unknown)	Displays the reason for the previous system reset: <i>None = No Reset; BOR = Brownout Reset; Pin = Pin Reset (using PCB Reset Button); POR = Power-on Reset; Soft = Software Reset; IWDG = Independent Watchdog; WWDG = Windowed Watchdog; LPWR = Low Power Reset; Unknown = Unknown Cause</i>	

Menu - User Settings [Level 2 - Requires level 2 (or higher) password in order to access]

Sub-Menu	Setting	Default	Range	Description/Notes
Command	OccupSchedule	-	00:00 Monday to Sunday Event 1 to Event 6	Create a customized occupancy schedule with up to six events per day.
Control	RoomDemandLoop [3]			Only appears if <i>ControlProfile</i> is set to an internal control mode or <i>HumCntrlDemandSrc</i> is set to <i>RoomDemand</i>.
	RoomRHStp:	40.00%	min: 0.00%, max: 100.00%	Define the room demand setpoint value used during <i>Occupied</i> state. (Only appears if <i>RoomRHStpSrc</i> is set to <i>Internal</i>.)
	RoomRHUnocStp:	30.00%	min: 0.00%, max: 100.00%	Define the room demand setpoint value used during <i>Unoccupied</i> state.
	RoomRHVacStp:	20.00%	min: 0.00%, max: 100.00%	Define the room demand setpoint value used during <i>Vacant</i> state.
	SupplyHLLoop [1]			Only appears if <i>ModHLProfile</i> is set to an internal control mode or <i>HumCntrlHLSrc</i> is set to <i>SupplyHLDemand</i>.
	SupplyHLStp:	80.00%	min: 0.00%, max: 100.00%	Define the supply high limit demand setpoint value.
System	UTCOffset:	-300min	min: -720min, max: 720min	Configure the value of the UTC offset.
	DaylightSavings:	No	No, Yes	Select whether to enable daylight savings or not.
	LocalDateTime:	YYYY-MM-DD 00:00:00		Configure the current date and time.
Interface	LocalDisplay [5]			
	BacklightLvl:	25%	min: 0%, max: 100%	Select the backlight level of the LCD screen.
	Contrast:	5%	min: 0%, max: 30%	Select the contrast level of the LCD screen.
	KeypadBuzzer:	Inactive	Inactive, Active	Select whether to enable or disable the key press sound.
	Language:	English	<i>(Language options vary based on region.)</i>	Select the device language.
	Units:	Imperial	Metric, Imperial	Select whether to use a metric or imperial system of units for the local device.
	HRL [3]			For units connected to the HRL24 controller.
	Temperature:	<i>Current value</i>	* (min: -40.00°F, max: 500.00°F) * [min: -40.00°C, max: 260.00°C] Units: C, F	Displays the room temperature value measured by the HRL24 controller.
	Humidity:	<i>Current value</i>	*(min: 0.0%, 100.0%)	Displays the room humidity value measured by the HRL24 controller.
LockSetpnt:	Unlock	(Unlock, lock)	Displays whether the setpoint obtained from the HRL24 controller can be modified or not.	

Menu - Service [Level 3 - Requires level 3 (or higher) password in order to access]

Sub-Menu	Setting	Default	Range (* indicates no configuration; display only)	Description/Notes
Status	Module 1 to 4 [6]			
	RunTime:	0.00hr	*	Displays the total runtime of the humidifier module.
	ServOnTime:	0.00hr	*	Displays the operating time of the humidifier module, since the last servicing.
	ServRunTime:	0.00hr	*	Displays the runtime of the humidifier module, since the last servicing.
	OnTime:	0.00hr	*	Displays the total operating time of the humidifier module.
	IgnitionCount:	0	*	Displays the number of times the humidifier module has made a complete ignition cycle.
	ServiceDue:	Off	* (Off, Module1 to 4)	Displays whether the humidifier module is due for servicing.
Command	DrainSchedule:	-	00:00 Monday to Sunday Event 1 to Event 6	Create a customized draining schedule with up to six events per day.
	SysRequest:	None	None, Reset Alarms, Drain, Reset Counters, Filling, WaterCalib, PurgeAir	Perform one of the following actions for the whole system: reset service counters, initiate a drain cycle, reset warning alarms, fill the evaporation chamber, calibrate the water level sensor or perform an air purge.
	Mod1Request:	None	None, Reset Alarms, Drain, Reset Counters, Filling, WaterCalib, PurgeAir	Perform one of the following actions for the first humidifier module: reset service counters, initiate a drain cycle, reset warning alarms, fill the evaporation chamber, calibrate the water level sensor or perform an air purge.
	Mod2Request:	None	None, Reset Alarms, Drain, Reset Counters, Filling, WaterCalib, PurgeAir	Perform one of the following actions for the second humidifier module: reset service counters, initiate a drain cycle, reset warning alarms, fill the evaporation chamber, calibrate the water level sensor or perform an air purge. (Only appears when there is a second humidifier module.)
	Mod3Request:	None	None, Reset Alarms, Drain, Reset Counters, Filling, WaterCalib, PurgeAir	Perform one of the following actions for the third humidifier module: reset service counters, initiate a drain cycle, reset warning alarms, fill the evaporation chamber, calibrate the water level sensor or perform an air purge. (Only appears when there is a third humidifier module.)
	Mod4Request:	None	None, Reset Alarms, Drain, Reset Counters, Filling, WaterCalib, PurgeAir	Perform one of the following actions for the fourth humidifier module: reset service counters, initiate a drain cycle, reset warning alarms, fill the evaporation chamber, calibrate the water level sensor or perform an air purge. (Only appears when there is a fourth humidifier module.)

Menu - Installation [Level 4 - Requires level 4 (or higher) password in order to access]

Sub-Menu	Setting	Default	Range (* indicates no configuration; display only)	Description/Notes
Command	Power1 to 4:	On	Off, On	Select which modules to power off, in order to leave only the module being adjusted as active. (Only appears if <i>Balancing</i> is set to <i>On</i>.)
	Balancing:	Off	Off, On	Select whether to switch to balancing mode in order to perform a combustion adjustment. If set to <i>On</i> , the <i>Power1 to 4</i> and <i>BalanceDem</i> settings will appear.
	BalanceDem:	NotUsed	NotUsed, Off, Min, Max	Select the demand level to use when performing a combustion adjustment: <i>NotUsed</i> = use the humidifier demand value, <i>Off</i> = 0% demand, <i>Min</i> = 10% demand, <i>Max</i> = 100% demand. (Only appears if <i>Balancing</i> is set to <i>On</i>.)
Quick Config	BlowdownRate:	0%	min: 0%, max: 100%	Define the rate of boiler blowdown or water dilution, in order to minimize water impurities.
	DrainInterval:	6hr	min: 0hr, max: 24hr	Set the frequency of the drain cycle. In general, a more frequent drain cycle is required as the water hardness level rises. The drain cycle setting does not affect the AFEC system.
	IdleTime:	24hr	min: 0hr, max: 72hr	Set the amount of time the humidifier can remain in standby mode until an automatic drain cycle is performed.
	ServInterval:	1000hr	min: 1000hr, max: 3000hr	Set the time of operation before the humidifier calls for servicing.
	DrainVolume	100%	min: 25%, max: 100%	Define the volume of water that is drained from the chamber, relative to the total capacity of the chamber.
	ServOperation:	Allowed	Allowed, NotAllowed	Select whether to enable the unit to continue producing steam, even when it is due for servicing. When set to <i>Allowed</i> , the unit will continue operating even when a service alarm is active.
	FillMode:	Pulsed	OneShot, Pulsed	Select the water filling method for the fill valve: When set to <i>OneShot</i> , water will continuously flow. When set to <i>Pulsed</i> , water will flow in short bursts.
Control	ControlProfile:	ExternAnalog	ExternAnalog, ExternNetwork, InternAnalog, InternNetwork, HRL, Custom	Select a preconfigured control mode profile for the modulating humidity demand. Select the <i>Custom</i> option to configure individual settings. (Network option only applicable for BACnet models.)
	ModHLProfile:	Disabled	Disabled, ExternAnalog, ExternNetwork, InternAnalog, InternNetwork, Custom	Select a preconfigured control mode profile for the modulating high limit demand. Select the <i>Custom</i> option to configure individual settings. (Network option only applicable for BACnet models.)
	RoomDemandLoop [2]			Only appears if <i>ControlProfile</i> is set to an internal control mode or <i>HumCntrlDemandSrc</i> is set to <i>RoomDemand</i>.
	RoomRHSrc:	None	None, RoomRH, Network	Select the reading source for the room demand. (Network option only applicable for BACnet models.)
	RoomRHStptSrc:	None	None, Internal, ControllInput	Select the room demand setpoint source.
	SupplyHLLoop [2]			Only appears if <i>ModHLProfile</i> is set to an internal control mode or <i>HumCntrlHLSrc</i> is set to <i>SupplyHLDemand</i>.
	SupplyHLReadingSrc:	None	None, SupplyHLRH, Network	Select the reading source for the supply high limit demand. (Network option only applicable for BACnet models.)
	SupplyHLStpntSrc:	None	None, Internal, ControllInput	Select the supply high limit demand setpoint source.
	HumidityControl [5]			
	NtwkTimeout:	900sec	min: 1sec, max: 900sec	Define the amount of time the humidifier may attempt to connect to the BACnet or Modbus network before it stops operating due to a communication error. (Only appears if <i>ControlProfile</i> or <i>ModHLProfile</i> are set to <i>InternNetwork</i> or <i>ExternNetwork</i>.)
HumLowDeadBand:	1.00%	min: 0.00%, max: 100.00%	Set the lower limit deadband value for the humidity demand.	
HumCntrlDemandSrc:	ControllInput	None, ControllInput, RoomDemand, Network	Select the humidity control demand source for modulating humidifiers. (Network option only applicable for BACnet models.)	

Sub-Menu	Setting	Default	Range (* indicates no configuration; display only)	Description/Notes	
Control	HumCntrlHLSrc:	None	None, ControlInput, SupplyHLDemand, Network	Select the humidity control high limit source for modulating humidifiers. (Network option only applicable for BACnet models.)	
	HumCntrlBinDemandSrc:	None	None, BinaryExtDemand	Select the humidity control demand source for On/Off humidifiers.	
Physical IO	AlwaysRoomRH:	Off	Off, On	Select whether to always display the <i>RoomRHSigType</i> setting, regardless of the configuration selected in the <i>ControlProfile</i> setting.	
	AlwaysSupplyRH:	Off	Off, On	Select whether to always display the <i>SupplyRHSigType</i> setting, regardless of the configuration selected in the <i>ModHLProfile</i> setting.	
	SupplyRHSigType:	0-10Vdc	0-10Vdc, 2-10Vdc, 4-20mA, 0-20mA	Select the signal type for the duct or supply high limit humidity analog input. (Only appears if <i>ModHLProfile</i> is set to <i>InternAnalog</i> or <i>SupplyHLReadingSrc</i> is set to <i>SupplyHLRH</i>.)	
	RoomRHSigType:	0-10Vdc	0-10Vdc, 2-10Vdc, 4-20mA, 0-20mA	Select the signal type for the room humidity analog input. (Only appears if <i>ControlProfile</i> is set to <i>InternAnalog</i> or <i>RoomRHsrc</i> is set to <i>RoomRH</i>.)	
	CntrlSigType:	0-10Vdc	0-10Vdc, 2-10Vdc, 4-20mA, 0-20mA	Select the signal type for the control demand analog input.	
	Module1 to 4 [2]				
		WtrTemp1 to 4:	<i>Current value</i>	* (min: 32.00°F, max: 257.00°F) * [min: 0.00°C, max: 125.00°C] Units: C, F	Displays the temperature of water in the evaporation chamber.
	WtrTempOffset:	0.00°F [0.00°C]	min: -18.00°F, max: -18.00°F [min: -10.00°C, max: 10.00°C] Units: C, F	Set a temperature offset for the evaporation chamber water temperature value, in order to adjust the reading of the temperature sensor to the proper temperature.	
System	ResetFactory:	No	No, Yes	Select Yes in order to reset the humidifier back to its original factory configuration settings. WARNING: There is no way to recover previous configurations once the device has been reset.	
Extended Config	InstallationDate:	YYYY/MM/DD		Set the device installation date.	
	AlarmBuzzer:	Disabled	Normal, Disabled	Select whether to enable or disable the alarm buzzer sound whenever there is a system warning. This will not affect the Status Display LED.	
	Module1to4WtrLvlProbe [1]				
		InhibitResProbe:	No	No, Yes	Select whether to disable the resistive water level sensor probes. When performing a manual calibration procedure for the water level sensor, this setting must be set to Yes .
	Module1 to 4 [2]				
		MaxOutput:	100%	min: 0%, max: 100%	Set the maximum steam output of the humidifier module relative to its total capacity. (The minimum value may vary based on the humidifier model.)
		WtrAutoCalib1 to 4:	Always	None, Once, Always	Select the frequency of the auto calibration setting for the water level sensor.
		WtrLvlReplace:	7day	min: 0day, max: 7day	Set the amount of time the humidifier may run using only the resistive water level probes, if there is an issue with the capacitive probe, before an alarm message is displayed.
		BlowdownRate:	0%	min: 0%, max: 100%	Define the rate of boiler blowdown or water dilution, in order to minimize water impurities.
		DrainInterval:	6hr	min: 0hr, max: 24hr	Set the frequency of the drain cycle. In general, a more frequent drain cycle is required as the water hardness level rises. The drain cycle setting does not affect the AFEC system.
		IdleTempStpnt:	32°F [0°C]	min: 32°F, max: 140°F [min: 0°C, max: 60°C] Units: C, F	Set the idle temperature setpoint value for the evaporation chamber when there is no demand.
		IdleTime:	24hr	min: 0hr, max: 72hr	Set the amount of time the humidifier can remain in standby mode until an automatic drain cycle is performed.
		ServInterval:	1000hr	min: 1000hr, max: 3000hr	Set the time of operation before the humidifier calls for servicing.
	IdleRinseInterval:	3day	min: 1day, max: 7day	Set the amount of time the humidifier stays in "Idle" or "Off" mode, before the evaporation chamber undergoes an automatic rinse cycle.	

Sub-Menu	Setting	Default	Range (* indicates no configuration; display only)	Description/Notes
Extended Config	MinSteamOut:	0%	min: 0%, max: 25%	Set the minimum steam production demand value, below which no steam will be produced.
	DrainVolume:	100%	min: 25%, max: 100%	Define the volume of water that is drained from the chamber, relative to the total capacity of the chamber.
	ServOperation:	Allowed	Allowed, NotAllowed	Select whether to enable the unit to continue producing steam, even when it is due for servicing. When set to <i>Allowed</i> , the unit will continue operating even when a service alarm is active.
	FillMode:	Pulsed	OneShot, Pulsed	Select the water filling method for the fill valve: When set to <i>OneShot</i> , water will continuously flow. When set to <i>Pulsed</i> , water will flow in short bursts.
	IdleRinseOff:	Off	Off, On	Select whether to enable automatic rinse cycles while the humidifier is turned off and remains inactive. To select the amount of time the humidifier remains inactive before a rinse cycle is performed, configure the value of the <i>IdleRinseInterval</i> setting.
	IdleRinseOn:	Off	Off, On	Select whether to enable automatic rinse cycles while the humidifier is turned on and remains in "Idle" or stand-by mode. To select the amount of time the humidifier remains inactive before a rinse cycle is performed, configure the value of the <i>IdleRinseInterval</i> setting.
	SystMode:	Sequential	Parallel, Sequential, Hybrid	Select under which system operation mode the different modules will operate. (Only applicable for units having multiple modules.)
	StartupRinse:	Off	Off, On	Select whether to perform an automatic rinse cycle upon each start-up of the humidifier.

Menu - Integration [Level 5 - Requires level 5 password in order to access]

Sub-Menu	Setting	Default	Range <i>(* indicates no configuration; display only)</i>	Description/Notes
Network	NtwrkOption:	BACnet	BACnet, Modbus	Select whether to connect to a BACnet MS/TP or Modbus RTU communication interface on terminal TB2 of the humidifier PCB.
	Device [4]			
	DeviceName:	-		Establish a name for the device.
	Location:	-		Establish a designated location for the unit.
	Description:	-		Establish a brief description for the unit.
	DeviceInstance:	0153001 (0x000255a9)		Define the device instance value.
	HTTPServer [1]			
	HttpServerUnits:	Imperial	Metric, Imperial	Select whether to use a metric or imperial system of units for the HTTP server.
	BACnetServer [3]			
	ListMode:	Integrator	Integrator, Advanced, Factory	Select the category of BACnet objects to display.
	Units:	Imperial	Metric, Imperial	Select whether to use a metric or imperial system of units for the BACnet server.
	Language:	English	<i>(Language options vary based on region.)</i>	Select the language for the BACnet server.
	BACnetMSTP [10]			
	MaxMaster:	127	min: 1, max: 127	Configure MaxMaster value to increase network efficiency when there are less than 127 devices on the network. For optimal efficiency, set value to the highest MAC address in the MS/TP network.
	MaxInfoFrames:	1	min: 1, max: 100	Configure the maximum number of information messages the controller may transmit, before it must pass the token to the next controller.
	AutoBaudRate:	Yes	No, Yes	Enable or disable automatic baud rate detection.
	BaudRate:	38400	9600, 19200, 38400, 76800	Select the baud rate for data transfer.
	MAC:	001		Set the MS/TP network MAC address.
	RxValid:	0	*	Displays information on the received communication frames for troubleshooting purposes.
	RxInvalid:	0	*	
	RxLost:	0	*	
	Tx:	0	*	Displays information on the transmitted communication frames for troubleshooting purposes.
	TxLost:	0	*	
	BACnetIP [6]			
	BACnetIPPort:	47808	min: 0, max: 65535	Set the User Datagram Protocol (UDP) port number. BACnet port number is set by default.
	RxValid:	0	*	Displays information on the received communication frames for troubleshooting purposes.
	RxInvalid:	0	*	
	RxLost:	0	*	
	Tx:	0	*	Displays information on the transmitted communication frames for troubleshooting purposes.
	TxLost:	0	*	
	ModbusServer [1]			
	Units:	Imperial	Metric, Imperial	Select whether to use a metric or imperial system of units for the Modbus server.

Sub-Menu	Setting	Default	Range (* indicates no configuration; display only)	Description/Notes	
Network	ModbusRTU1In [4]			Only appears if NtwrkOption is set to Modbus.	
	MAC:	1	min: 1, max: 247	Set the Modbus MAC address.	
	Autobaud:	No	No, Yes	Enable or disable automatic baud rate detection.	
	PortConfig:	No Parity, 2 Stop Bits	No Parity, 2 Stop Bits Even Parity, 1 Stop bit Odd Parity, 1 Stop bit	Select the Modbus communication port configuration.	
	BaudRate:	19200	9600, 14400, 19200, 38400, 57600	Select the baud rate for data transfer.	
	BACnetETH [5]				For models connected to BACnet Ethernet.
	RxValid:	0	*	Displays information on the received communication frames for troubleshooting purposes.	
	RxInvalid:	0	*		
	RxLost:	0	*		
	Tx:	0	*	Displays information on the transmitted communication frames for troubleshooting purposes.	
	TxLost:	0	*		
	ModbusTCPiP0In [2]				For models connected to Modbus TCP/IP.
	KeepAliveTimeOut:	5min	min: 1min, max: 1440min	Set the amount of time the communication stays open before connection is cut out, when no signal is received from the device.	
	ListeningPort:	502	min: 0, max: 65535	Set the communication port number. Modbus TCP port number is set by default.	
	SMTP [7]				
	SSL:	Off	Off, On	If turned to <i>On</i> , a secure socket layer will be used to encrypt the communication between the device and the email server (Port value must be set to 587 and <i>Username</i> and <i>Password</i> settings must be filled out). If turned to <i>Off</i> , the default socket will be used (use Port 25 to use server without login account or Port 587 if login details for email account have been entered).	
	Port:	25	25, 587	If set to 25, server to server email transfer is enabled (can only be used if SSL is set to <i>Off</i>). If set to 587, client to server email transfer is enabled.	
	ServerAddr:	192.168.100.100		Configure the server IP address for the email account.	
	From:	<i>Current value</i>		Set the email address that will be sending the humidifier notification messages.	
	To:	<i>Current value</i>		Set the email address that will be receiving the humidifier notification messages.	
	Username:	<i>Current value</i>		Set the login username for the email account.	
	Password:	<i>Current value</i>		Set the login password for the email account.	
	Notify [3]				
Alarm:	Off	Off, On	If turned to <i>On</i> , then the humidifier alarm messages will be sent to the email configured in the <i>SMTP</i> sub-menu.		
Warning:	Off	Off, On	If turned to <i>On</i> , then the humidifier warning messages will be sent to the email configured in the <i>SMTP</i> sub-menu.		
AppMsg:	Off	Off, On	If turned to <i>On</i> , then the humidifier event messages will be sent to the email configured in the <i>SMTP</i> sub-menu.		
Communication	IPSettings [10]				
	DHCP:	Inactive	Inactive, Active	Select whether to enable Dynamic Host Configuration Protocol (DHCP) to automatically provide an IP address.	

Sub-Menu	Setting	Default	Range <i>(* indicates no configuration; display only)</i>	Description/Notes
Communication	RstIPSetting:	No	No, Yes	Select whether to restart the IP module, in order to allow recent parameter modifications to be effective.
	StaticAddress:	192.168.1.100		Configure the static IP address.
	StaticSubnetMask:	255.255.255.0		Configure the static subnet mask.
	StaticDefaultGateway:	192.168.0.100		Configure the static default gateway.
	StaticDnsServer:	192.168.10.50		Configure the static DNS server.
	ActualAddress:	<i>Current value</i>	*	Displays the actual IP address.
	ActualSubnetMask:	<i>Current value</i>	*	Displays the actual subnet mask.
	ActualDefaultGateway:	<i>Current value</i>	*	Displays the actual default gateway.
	ActualDnsServer:	<i>Current value</i>	*	Displays the actual DNS server.
	ETHSettings [1]			
	EthernetMacAdd	<i>Current value</i>	*	Displays the MAC address of the Ethernet interface. (Only applicable if using an Ethernet connection.)

List of Alarms

Table 17 - List of Alarms

Display	Description	Alarm Reset
AirFlow	Indicates that the airflow sensor is open. Verify that the signal from the airflow sensor is present at the controller's input on the PCB and verify wiring.	Automatic
SupplyHighLimit	Indicates that the high limit item is open. Verify that the signal from the supply high limit sensor is present at the controller's input on the PCB and verify wiring.	Automatic
Interlock	Indicates that the interlock and the cut-out circuitry are open. Verify that the signal from the interlock sensor is present at the controller's input on the PCB and verify wiring.	Automatic
HighLimitCutout	Indicates that the high limit cutout has been activated due to a humidity reading that exceeds the high limit setpoint. Ensure that the high limit humidistat is operating correctly and that the distance between the sensor and the steam dispersion manifold is sufficient (15 ft [4.6 m]).	Automatic
ChimneyTemp1 to 4	Indicates that the flue gas temperature sensor is defective or incorrectly wired. Check sensor and verify wiring.	Automatic
WtrTemp1 to 4	Indicates that the evaporation chamber water temperature sensor is defective or incorrectly wired. Check sensor and verify wiring.	Automatic
AmbientTemp1 to 4	Indicates that the weather proof enclosure temperature sensor is defective or incorrectly wired. Check sensor and verify wiring. (Only applicable for humidifiers with the weather proof enclosure.)	Automatic
FoamSensor1 to 4	Indicates that the foam cutout sensor is defective or incorrectly wired. Check sensor and verify wiring.	Automatic
Foam1 to 4 (Warning)	If <i>Detected</i> is displayed, it indicates that the foam sensor has detected foam and the humidifier is now draining. Once the drain cycle has ended, the warning message will disappear.	Automatic
MemoryCard	Indicates that the SD card has been detected, but it is not operating correctly or is non-functional. Verify the SD card and replace if defective.	Automatic
WaterLevel1 to 4 (Warning)	If <i>Calib</i> is displayed, it indicates that there is a calibration error with the water level sensor. Verify that the <i>WtrAutoCalib1 to 4</i> setting is set to <i>Always</i> to ensure automatic calibration. If <i>Replace</i> is displayed, it indicates that the capacitive water level probe has drifted and the resistive probes have been activated until the capacitive probe is recalibrated. If the error persists, the warning message will change into the alarm message described below.	Automatic
WaterLevel1 to 4 (Alarm)	If <i>Defect</i> is displayed, it indicates that the water level sensor is defective or not working properly. Verify its operation and replace it if necessary.	Manual *
FailedPump	Indicates that there was an error during draining due to a pump failure. Verify that the drain pump is operating correctly and that it is not being hindered or obstructed.	Manual *
FillTimeout	Indicates that the water level sensor has not reached the desired value within the programmed delay. Verify and remove any obstructions in the water inlet line and verify that the shut-off valve is not closed.	Manual *
BlockedPiping	Indicates that there was an error during draining due to a blockage in the pipes. Verify and remove any obstructions in the piping and ensure that the drain outlet is not clogged.	Manual *
HeatTimeout	Indicates that the water temperature in the evaporation chamber has not reached the boiling point within the programmed delay. Verify the temperature of the supply water.	Manual *
Overheat	Indicates that the evaporation chamber temperature sensor has detected a temperature reading greater than or equal to 221°F (105°C). Verify the operation of the water level sensor and ensure that the water supply piping is not obstructed.	Manual *
WaterLeak	Indicates that a water leak has been detected. Verify the water line for signs of leaks and ensure that all piping and water connections have been properly installed and secured.	Manual *
BurnerLocked	Indicates that the burner did not ignite after three consecutive attempts. Verify that the igniter and the ignition controller are working properly.	Manual *
FanDefect	Indicates that there is no feedback from the burner fan after receiving a control signal from the controller. Verify that the status and connections of the burner fan and replace if defective.	Manual *
FailedComm	Indicates that there was a communication error between modules. Verify that the communication cable between the master and slave PCB boards is properly connected and is not defective.	Manual *
ChimTempHi	Indicates that the flue gas temperature sensor has detected an elevated flue gas temperature reading. Verify the operation of the water level sensor and flue gas temperature sensor.	Manual *
FanBlocked	Indicates that there is a problem with the burner fan. Verify the operation of the fan and ensure that there are no obstructions in the way.	Manual *
SystBlck	Indicates that one of the humidifier modules is responsible for a global alarm causing the entire system to be unable to function. Verify the operation of the affected module to determine the source of the problem.	Manual *
TankBlocked	Indicates that there was an error while filling the evaporation chamber due to a blockage in the pipes. Verify and remove any obstructions in the piping and ensure that the water inlet is not clogged.	Manual *
RefillDelay	Indicates that the evaporation chamber has not been refilled with more water within the programmed delay after it has begun evaporating, due to a blockage in the pipes. Verify and remove any obstructions in the piping and ensure that the water inlet is not clogged.	Manual *
NtwkCtrlSt	Indicates that the communication attempt to the BMS server has exceeded the delay defined by the <i>Network Timeout</i> setting. Verify the wiring between the humidifier and the BACnet or Modbus network and ensure proper connection. (Only applicable for humidifiers having the BACnet or Modbus option).	Manual *



Display	Description	Alarm Reset
HRLState	Indicates that there is a communication error when attempting to connect to the HRL24 controller. Verify the wiring between the humidifier and the HRL24 and ensure that the controller is functioning properly. (Only applicable for humidifiers connected to the HRL24 controller).	Manual *
ServiceDue	Indicates that the due date for servicing the humidifier has arrived. See Service section on page 66 for details.	Manual **

* Use *Reset Alarms* function in *Request* setting (see page 55).

** Use *Reset Counters* function in *Request* setting (see page 55).

Start-up Procedure



Initial verification and start-up must be carried out by suitably qualified personnel.

It is strictly recommended to follow this start-up procedure in order to avoid any anomaly resulting from inaccurate installation of the components.

Initial Verification

Clearance	1. Ensure that the humidifier cabinet is installed in a location in which the humidifier can be serviced correctly.	<input type="checkbox"/>
Electrical Supply	2. Verify that the power supply (voltage) conforms to the appliance name plate on the side of the humidifier.	<input type="checkbox"/>
Water Supply	3. Confirm that 24Vac is present between terminals TB4 1&2 on the control connection PCB. Remove the front top cover to get to this PCB.	<input type="checkbox"/>
Water Supply	4. Ensure that water is supplied to the humidifier and that a shut-off and a non-return valve are placed outside the humidifier.	<input type="checkbox"/>
Water Supply	5. With the water shutoff valve turned on, check that the drain connections are connected to the main drain line with sufficient diameter. Ensure that there are no apparent leaks.	<input type="checkbox"/>
Water Supply	6. Confirm that the drain piping is properly connected with a pitch of at least ¼" (6.5mm) per foot (300mm) horizontal run.	<input type="checkbox"/>
Steam	7. Verify that the steam distributors are properly installed into the ventilation duct.	<input type="checkbox"/>
Steam	8. Verify that the flexible steam hoses and rigid steam supply pipes are shorter than 16ft (5 m) in total, are properly sloped and have condensation "S" traps wherever required.	<input type="checkbox"/>
Gas Supply	9. Confirm that a proper regulator and gas test point have been installed on the gas line to the humidifier.	<input type="checkbox"/>
Gas Supply	10. Confirm that gas is supplied to the humidifier and that the shut-off valve located outside the humidifier is closed. With the shut-off valve is turned on, check for leaks, gas, smell or hissing sounds.	<input type="checkbox"/>
Flue Gas Venting	11. Verify that the flue gas venting is as follows:	<input type="checkbox"/>
Flue Gas Venting	a) Ensure that a tee is installed with a drain trap for the flue gas condensate.	<input type="checkbox"/>
Flue Gas Venting	b) Check that all connections are air tight.	<input type="checkbox"/>
Flue Gas Venting	c) Ensure that the total length of the flue gas venting pipe is no longer than 100ft (30 meters).	<input type="checkbox"/>
Flue Gas Venting	d) An approved venting system is used, such as one of the following:	<input type="checkbox"/>
Flue Gas Venting	• Chiminee Lining HEP, HEPL or HEPL2 rigid venting system, or	
Flue Gas Venting	• Flexmaster Z-Vent Model SVE Series III rigid venting system, or	
Flue Gas Venting	• DuraVent FasNSeal (single-wall) or FasNSeal W2 (double-wall) venting system, or	
Flue Gas Venting	• Magnaflex's PV model insulated flexible venting system, or	<input type="checkbox"/>
Flue Gas Venting	• Selkirk/HeatFab Saf-T Vent Model single-wall or double-wall venting system, or	
Flue Gas Venting	• Other approved system, please specify (for reference) _____	<input type="checkbox"/>
Controls	Note: Aluminum B vent is not acceptable.	
Controls	12. Ensure that the Airflow switch is properly installed and connected to the printed circuit board. If an Airflow switch is not used, verify that a jumper is connected between terminals TB3 1&2.	<input type="checkbox"/>
Controls	13. Ensure that the High limit duct humidistat is properly installed and connected to the printed circuit board. Verify that the setpoint is properly adjusted. If a High limit duct humidistat is not used, verify that a jumper is connected between terminals TB3 1&3.	<input type="checkbox"/>




Controls

- 14. Ensure that the Interlock is properly connected to the printed circuit board. If the Interlock is not used, verify that a jumper is connected between terminals TB3 1&4.
- 15. If a room or duct humidistat is used, verify that it is correctly installed and properly connected to the humidifier. Verify that the setpoints are properly adjusted.
- 16. Turn the power on using the circuit breaker.
- 17. Confirm the control set-up of the humidifier and verify that the setpoints are properly adjusted.

Start-Up

Start-up

- 1. Proceed to start-up the humidifier, as follows:
 - a) With the humidifier front access open, ensure that the manual drain valve is closed.
 - b) Turn on the humidifier by pressing and holding the Power button  for 3 seconds. Verify that the controller Status Display LED is blue.
 - c) Verify that there is a humidity demand displayed on the LCD screen of the humidifier.
 - d) Ensure that the water supply valve connected to the humidifier is turned on and that water is flowing directly to the humidifier water supply inlet. Ensure that the water shut off valve is turned off.
 - e) Verify the water level as water is filling the evaporation chamber by using the control panel to access the *WaterLevel* setting located in the *Physical IO* sub-menu of the *General* menu. Ensure that there are no water leaks along the water line.
 - f) If there is a humidity demand, the burner combustion blower(s) will start, and after approximately 90 seconds the combustion will start. From a cold water start, the humidifier will require 5 to 10 minutes to produce steam. The humidifier controller will indicate the water temperature and flue gas temperature.
 - g) During normal operation while steam is produced, the water temperature must be 212 °F (100°C) and the flue gas temperature must be around 248 to 392°F (120 to 200°C). The water level percentage must not indicate less than 95%.
 - h) Once the evaporation chamber has been filled, observe for water, steam and flue gas leaks during several minutes of operation.

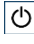


Combustion Field Adjustment

- 2. Please refer to the *SKG4 Combustion Field Adjustment Instructions* enclosed in this package to perform this operation.

Safety Test

- 3. Check the location of the Airflow switch in the system and its operation by stopping the fan. With no air movement, the humidifier should automatically stop.

Drain and Reset

- 4. Turn off the humidifier by pressing and holding the Power  button for 3 seconds.
- 5. Conduct a drain cycle by pressing and holding the Drain button  for 3 seconds. Ensure that the evaporation chamber has been emptied.
- 6. Once the drain cycle is complete, restart the humidifier by pressing and holding the Power  button for 3 seconds.
- 7. Reset the Airflow switch if needed.

End

- 8. The humidifier is now ready for normal operation.

Service



WARNING: Danger of hot water. Drain water before servicing.

The humidifier requires regular periodic service to ensure efficient and trouble-free running. Regular service involves cleaning the evaporation chamber and other humidifier components manually. Generally, frequency of cleaning can range from two months to once a year, depending on the following factors:

- Quality of water
- Frequency of automatic drain cycles
- Demand placed on the humidifier

All SKG4 humidifiers are programmed for 1000 hours of operation. This is a default factory setting.

To view the number of hours the humidifier has run and the number of service hours, use the control panel to access the *Service Menu* (see page 55 for more details).

After 1000 hours of operation have passed, the Status Display LED on the control panel will turn red, indicating that the humidifier is due for servicing. Although the humidifier will continue to operate, it is imperative that service is performed as soon as possible, in order to ensure proper functionality.

Cleaning the Humidifier

Cleaning the humidifier involves the following steps:

Stage 1 - Drain the Evaporation Chamber

Stage 2 - Shut Down the Electrical Supply

Stage 3 - Remove the Evaporation Chamber

Stage 4 - Clean the Evaporation Chamber



Stage 5 - Clean the Other Components


Stage 6 - Reinstall the Evaporation Chamber

Stage 7 - Restart the Humidifier

Stage 1 - Drain the Evaporation Chamber

Before commencing the cleaning procedure, ensure that the evaporation chamber is cool and comfortable enough to handle, as the evaporation chamber and its contents can be extremely hot and can cause burning. To allow the evaporation chamber to cool, initiate a drain cycle:

1. Press and hold the Power  button for 3 seconds to switch off the humidifier.
2. Press and hold the Drain button  for 3 seconds to initiate a drain cycle and empty the evaporation chamber.

At the end of the drain cycle, check the temperature of the evaporation chamber. To check the temperature, open the front door of the humidifier and touch the chamber with the back of your hand. If necessary, press and hold the Power  button for 3 seconds to turn on the humidifier and refill the evaporation chamber with water, then repeat the above steps until the chamber is cool enough to handle.

Stage 2 - Shut Down the Electrical Supply



CAUTION: Risk of electric shock. The electric supply of the humidifier must be shut down. Disconnect the power at the External Breaker before commencing servicing.

Once the evaporation chamber is sufficiently cool, remove the power supply to the humidifier at the circuit breaker.

Stage 3 - Remove the Evaporation Chamber



The evaporation chamber may still contain some hot water. Ensure that the bottom of the evaporation chamber is cool enough to handle before removing it.

1. Turn off the gas and water supply valves located outside the humidifier.
2. With the front access door removed, disconnect the water inlet attached to the front of the evaporation chamber, by removing the safety pins and manually disconnecting the hose shank coupling. Connect and secure the water plug to the inlet in order to prevent water from leaking out from the evaporation chamber.
3. Remove the safety pin and disengage the latch, in order to disconnect the band clamp located around the evaporation chamber. Lift the band clamp up and close the latch to secure it to the top flange.
4. Lower the evaporation chamber using the lifting mechanism. Ensure that the lifting mechanism is in contact and is supporting the chamber before lowering it.

Stage 4 - Clean the Evaporation Chamber

1. Remove the residue that has accumulated inside the chamber and pour out any remaining water that is on the bottom of the container.
2. To clean out the remaining scale from the container, use a stiff brush (synthetic filament only) and some vinegar or any weak acid suitable for cleaning stainless steel.



WARNING: The use of a wire brush or any non-recommended acid will void the warranty.

3. Do not scrape off the walls of the chamber.
4. Ensure that the water inlet aperture is not blocked.
5. Rinse out the evaporation chamber with water.






Stage 5 - Clean the Other Components

1. Ensure that the evaporation chamber gasket is in good shape and is positioned properly. Replace the gasket as necessary.
2. Clean all the components of the evaporation chamber cover, including the heat exchanger and combustion chamber. Use the same procedure as in Stage 4 to clean these components.

Stage 6 - Reinstall the Evaporation Chamber

1. Replace the evaporation chamber inside the humidifier and position it properly on the lifting mechanism. Lift the chamber back up using the lifting mechanism. Ensure that the gasket is well positioned in the cover groove.
2. Ease the evaporation chamber band clamp back into place and close the latch to lock the band clamp on the evaporation chamber. Reattach the safety pin to the band clamp.
3. Disconnect the water plug and reconnect the water inlet to the evaporation chamber.
4. Turn the power back on using the circuit breaker.

Stage 7 - Restart the Humidifier

1. Press and hold the Power  button for 3 seconds to power on the humidifier.
2. Conduct a performance test by verifying the water level of the evaporation chamber as it is filled with water. Verify that there are no leaks.
3. Conduct a drain test by turning off the humidifier using the Power  button and performing a drain cycle using the Drain button .
4. Restart the humidifier to resume normal operation by pressing and holding the Power  button for 3 seconds.
5. To reset the service counters and clear the alarm warning after servicing:
 - a. Using the control panel, access the *Request* setting located in the *Command* sub-menu of the *Service* menu.
 - b. Select the *Reset Counters* value and press Enter  to reset the service counters.
6. Ensure that the drain cycles are set for every 6 hours of operation. This is the factory default setting and is recommended for city water.
 - To configure the drain cycle frequency, use the control panel to access the *DrainInterval* setting located in the *Quick Config* or *Extended Config* sub-menus of the *Installation* menu.

After the water boils for 6 hours in the chamber, it is laden with minerals and solutions. This affects the humidity output and the efficiency of the humidifier. Diluting the boiling water with a drain cycle will improve the performance of the humidifier.

Chamber Removal - Humidifier with OSHPD Preapproval (OSP)

For SKG4 humidifiers with the OSHPD Special Seismic Certification Preapproval (OSP) option, the support bracket holding up the evaporation chamber must be removed before taking off the chamber. To remove the support bracket, follow the steps detailed below:

1. Locate the lever found underneath the support bracket and turn it in order to lower the bracket.
2. Once lowered, slide down the support bracket and remove it from the humidifier cabinet.

After the evaporation chamber has been cleaned and re-installed, slide the support bracket back up and turn the lever in order to secure it into place.

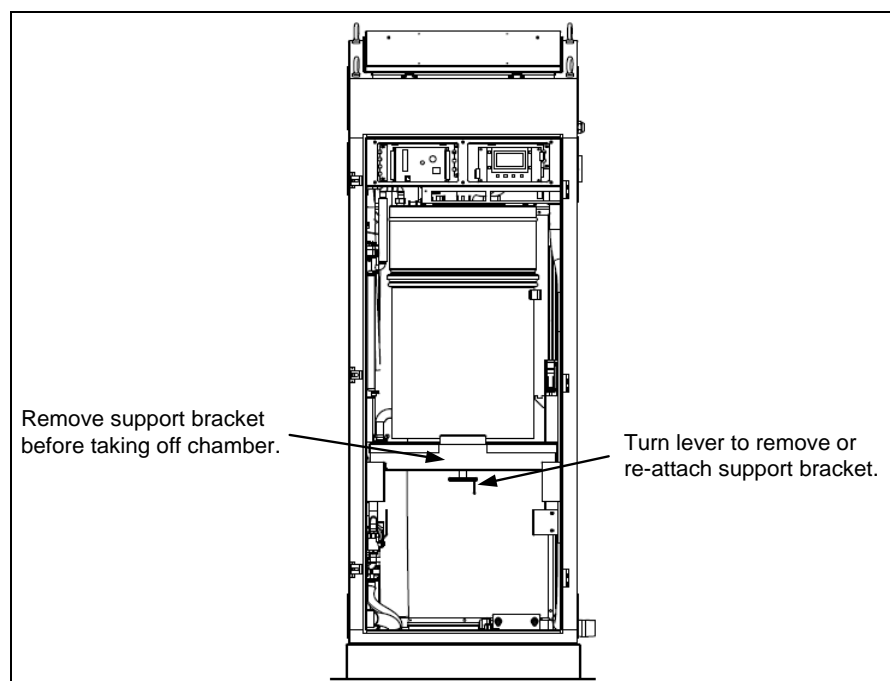


Illustration 52 - OSHPD Humidifier Evaporation Chamber Removal



Inspecting the Humidifier Components

Monthly Inspection

The humidifier must be inspected once a month by the operator. During the inspection, verify that:

- The flue gas passageways external to the humidifier, such as the vent connector and the chimney, are clear and free of obstructions and there is no condensate leak.
- The vent connector is in place and is in a good condition without holes or excessive corrosion.
- The air filter located in the front cover is clean.

Yearly Inspection

The humidifier must be inspected once a year by a skilled and qualified technical personnel. A flue gas analyser must be used to verify the combustion quality. Verify the following during the inspection:

Combustion

- Use a flue gases analyser to verify the values of O₂, CO₂, CO, NO, and NO_x. The values must lie within the values listed in the *SKG4 Combustion Field Adjustment Instructions*.
- If any value is above the acceptable limit, the combustion needs to be readjusted. The readjustment must be done by skilled and qualified technical personnel.
- Refer to the *SKG4 Combustion Field Adjustment Instructions* for more details on the combustion adjustment procedure.

Flue Passageways

Verify that the flue passageways external to the humidifier, such as the vent connector and chimney stack are clear and free of obstructions and that there is no condensate leak.

Vent Connector

- Ensure that the vent connector is in place and is in good condition without holes or corrosion.
- Ensure that there is no fly ash accumulation at the vent connector and inside the humidifier vent collector.
- If there is accumulation of fly ashes, the burner must be disassembled by a skilled and qualified technical personnel for further inspection.

Other

Ensure that there are no obvious signs of deterioration of the humidifier.



Burner Assembly and Heat Exchanger Tube Maintenance

The heat exchanger tube and burner assembly do not require regular maintenance. However, if the heat exchange tubes contain carbon deposits, soot or other residue, follow the cleaning procedure as mentioned below:



Soot and carbon deposits may indicate a combustion problem. The combustion problem must be corrected by a skilled and qualified technical personnel.

1. Turn off the gas valve, electrical power, and water supply valve.
2. Remove the top covers of the humidifier to gain access to the gas train.
3. Disconnect the wiring to the blower, gas valve, and igniter.
4. Disconnect the gas line from the gas valve.
5. Free the blower and gas valve by removing the nuts that hold the blower to the combustion chamber.
6. Remove the nuts that support the igniter in place. Remove the support without causing any damage to the igniter.



Maintain caution while removing the fragile igniter. It is recommended to have a spare igniter on hand.

7. Disconnect the vent from the top of the evaporation chamber.
8. Remove the combustion chamber flange, air/gas supply tube, and burner. To remove them, do the following:
 - a. Remove the nuts that attach the top of the evaporation chamber from the housing.
 - b. Lower and remove the top of the chamber from the front of the unit. The combustion chamber flange, air/gas supply tube, and burner can now be easily removed from the top of the evaporation chamber.
9. Clean the combustion chamber and remove any debris using a vacuum cleaner.
10. Clean the heat exchanger at the flue outlet and remove any debris using a vacuum cleaner.
11. Inspect all gaskets for damage and wear. Replace any damaged and worn out components.
12. Reinstall all components in the reverse order.

Burner Maintenance

The burner(s) does not require cleaning under normal use conditions. However, depending on the operating environment, the burner(s) may require periodic cleaning to remove accumulated materials. Failure to clean burners may result in reduced unit capacity or unacceptable flue gas CO levels.

Troubleshooting

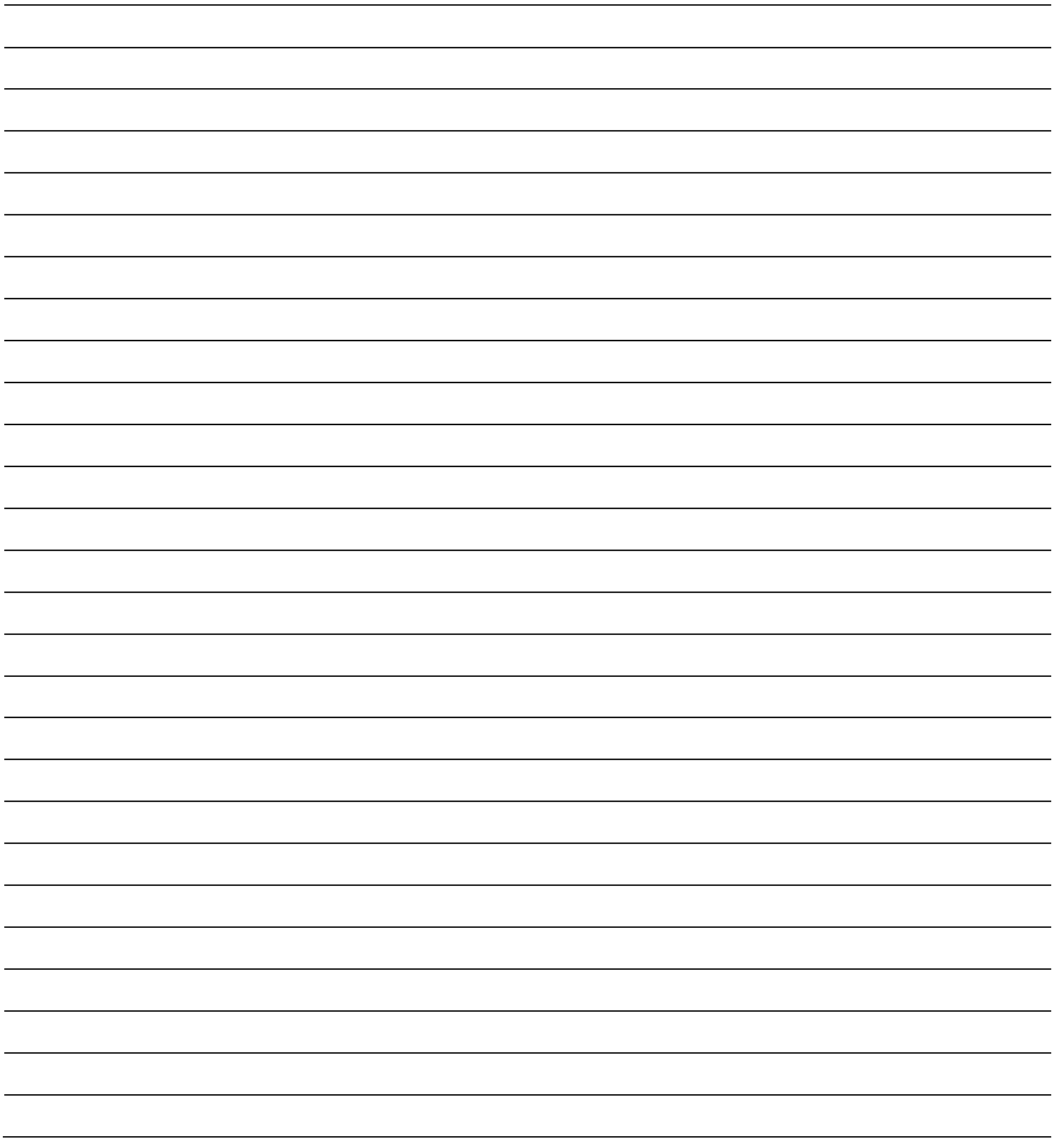
Table 18 - Troubleshooting Guide

Problem	Possible Cause	Corrective Action
<i>Humidifier does not operate (Screen turned Off)</i>	Power is not being supplied to the humidifier.	Check the main power supply and fuses. Verify the circuit breaker.
	The low voltage fuse is open.	Check the transformer and the low voltage fuse. Verify that the low voltage circuit is complete.
	Wire harnesses inside the humidifier are not secured properly.	Check the wires harnesses and the main PC board. Verify that all connections have been made properly.
<i>Humidifier does not operate (Screen turned On, Status Display LED: Off)</i>	The humidifier is not powered on.	Verify that the Power button has been pressed and held for 3 seconds for correct activation.
<i>Humidifier does not produce steam (No demand)</i>	No analog signal detected.	Verify the setting of the control input.
	Air flow is not detected by air pressure switch.	Check the fan operation.
	High limit humidistat is open.	Check the operation of the high limit humidistat.
	Interlock contact is open.	Check the interlock contact.
	Control wires are not properly secured to the terminal blocks.	Verify the connections of the wires to the control terminal blocks.
<i>No water inside the evaporation chamber or Humidifier does not stop draining</i>	Humidifier is being filled with water but has not yet reached or does not reach the high limit of the water level sensor.	- Verify that the drain valve is open. - Check if the shutoff valve on the water supply line is open.
	Humidifier is not being filled with water.	- Verify the operation of the fill valve. - Check that the fill valve strainer and the external strainer are not blocked.
<i>Humidifier does not drain</i>	Drain valve is clogged.	Check the drain valve.
	During a drain or foaming cycle, the water level sensor has sensed that the water level has not decreased.	Verify that the drain pump, the fill and drain water pipe connections and the water level sensor chamber are not obstructed.
<i>Humidifier is always on Foam cycle (FoamSensor setting displays Foam)</i>	Excessive foaming condition inside the evaporation chamber.	- Verify the quality of the supply water. - Verify if chemical products were used to clean the evaporation chamber during maintenance. Rinse the chamber properly with water. - Check the setting of the drain cycle. Reduce the time between drain cycles.
<i>Humidifier is operating and the Status Display LED is Red (ServiceDue setting displays On)</i>	The humidifier is due for servicing.	Service the humidifier (see Service section on page 66). Use <i>Request</i> setting in <i>Service</i> menu to reset counters (see page 55).
<i>Humidifier is not operating and the Status Display LED is Red (ThermalCutout setting displays Open)</i>	The high temperature switch has sensed abnormal temperature.	Verify if the humidifier was operating below the standard water level. Replace water level sensor if necessary.
<i>Humidifier does not operate (Screen turned Off, Status Display LED: Blue)</i>	The following components can be the cause of this problem: water level sensor, PC board or LCD display.	Call factory for troubleshooting instructions.
<i>Humidifier is producing steam (Screen turned Off, Status Display LED: Blue)</i>	The display FFC cable is not connected properly.	Verify that the connections of the FFC cable are properly secured and are on the correct side.
	The LCD display is defective.	Replace the LCD display.
<i>There is an issue with the flue gas temperature sensor</i>	The PCB is not detecting the signal.	Check the electrical resistance value; it must be between 900Ω and 1100Ω. If the value is outside the range, adjust the value.
	The PCB is detecting an erroneous signal.	Replace the flue gas temperature sensor.



Problem	Possible Cause	Corrective Action
<i>Flue gas temperature is too high</i>	The water level is too low.	<ul style="list-style-type: none"> - Check if the shutoff valve on the water supply line is open. - Verify the connection between the water inlet and the evaporation chamber and ensure that it is secure. - Verify the water supply connection and ensure that it is attached properly. - Verify the operation of the fill valve.
	The water level sensor is defective.	Replace the water level sensor.
	The flue gas temperature sensor needs adjustment.	Check the reading during normal operation. If the temperature is higher than 392°F (200°C), adjust the flue gas temperature sensor.
	The flue gas temperature sensor is defective.	If after adjustment the flue gas temperature is still too high, replace the flue gas temperature sensor.
<i>Three unsuccessful burner ignitions have been made</i>	<u>An ignition lock-out (1 flash fault signal) occurred due to:</u>	
	High temperature switch	<ul style="list-style-type: none"> - Inspect the electrical wires connecting the gas control module and gas valve and ensure proper connection. - Replace the igniter.
	Defective igniter	
	<u>A weak flame (2 flash fault signal) has been detected due to:</u>	
	Incorrect positioning of the igniter	Have the igniter position verified and adjusted by skilled and qualified technical personnel.
	Damaged igniter	Replace the igniter assembly.
	<u>An internal error (3 flash fault signal) has occurred due to:</u>	
	Incorrect connection	Inspect all the electrical wires connecting to the gas control module and ensure proper connection.
Defective gas control module	Replace the gas control module.	
<i>Burner fan is not operating correctly</i>	The combustion air fan motor is not running according to the speed required for humidity demand.	<ul style="list-style-type: none"> - Inspect the venting system and remove any debris or obstructions. <p><u>For Natural Ventilation system:</u></p> <ul style="list-style-type: none"> - Replace the combustion air filter. <p><u>For Ducted Combustion Air option:</u></p> <ul style="list-style-type: none"> - Inspect the ducted combustion air system and remove any debris or obstructions.

Notes





neptronic[®]

400 Lebeau blvd, Montreal, Qc, H4N 1R6, Canada

www.neptronic.com

Toll free in North America: 1-800-361-2308

Tel.: (514) 333-1433

Fax: (514) 333-3163

Customer service fax: (514) 333-1091

Monday to Friday: 8:00am to 5:00pm (Eastern time)