

### Model

HRL24

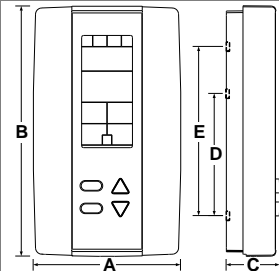
### Features

- Used to configure and operate the SK4 humidifiers
- Selectable internal or external temperature sensor (10 K $\Omega$ )
- Humidity sensing
- Large LCD with backlight
- Icon-driven information and 1 line of text information
- Four wire connection between thermostat and controller
- Selectable Fahrenheit or Celsius scale
- Network service port via on-board mini USB connector

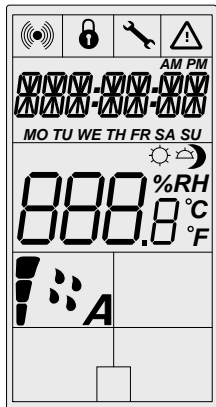








HRL24

### Technical Specifications

Specifications	HRL24
Humidity Sensor	
<i>Sensor range</i>	5 to 95%RH
<i>Display resolution</i>	0.1%
Temperature Sensor	
<i>Setpoint range</i>	10°C to 40°C [50°F to 104°F]
<i>Control accuracy</i>	Temperature: $\pm 0.4^{\circ}\text{C}$ [0.8°F]
<i>Display resolution</i>	$\pm 0.1^{\circ}\text{C}$ [0.2°F]
Electrical connection	Four wires to the humidifier   0.8 mm <sup>2</sup> [18 AWG] minimum
Network service port	Mini USB connector
Power supply	24Vac or 24Vdc
Power consumption	1VA
Operating temperature	0°C to 50°C [32°F to 122°F]
Storage temperature	-30°C to 50°C [-22°F to 122°F]
Relative humidity	5 to 95 % non-condensing
Enclosure protection	IP 30 (EN 60529)
Weight	120 g. [0.25 lb]
Dimensions	 <p>           A = 2.85"   73mm            B = 4.85"   123mm            C = 1.00"   24mm            D = 2.36"   60mm            E = 3.27"   83mm         </p>

### Interface

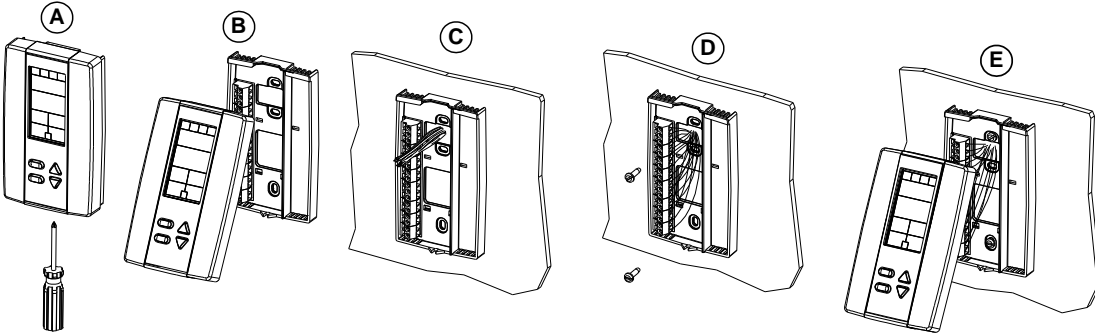


	Communication Status		Menu Locked		Programming mode (Technician setting)
	Alarm status		Energy saving mode (NSB or Occupancy)		Humidity ON 33, 66 or 100% output
<b>%RH</b>	Percentage of humidity	<b>°C or °F</b>	°C: Celsius scale °F: Fahrenheit scale		

### Mounting Instructions

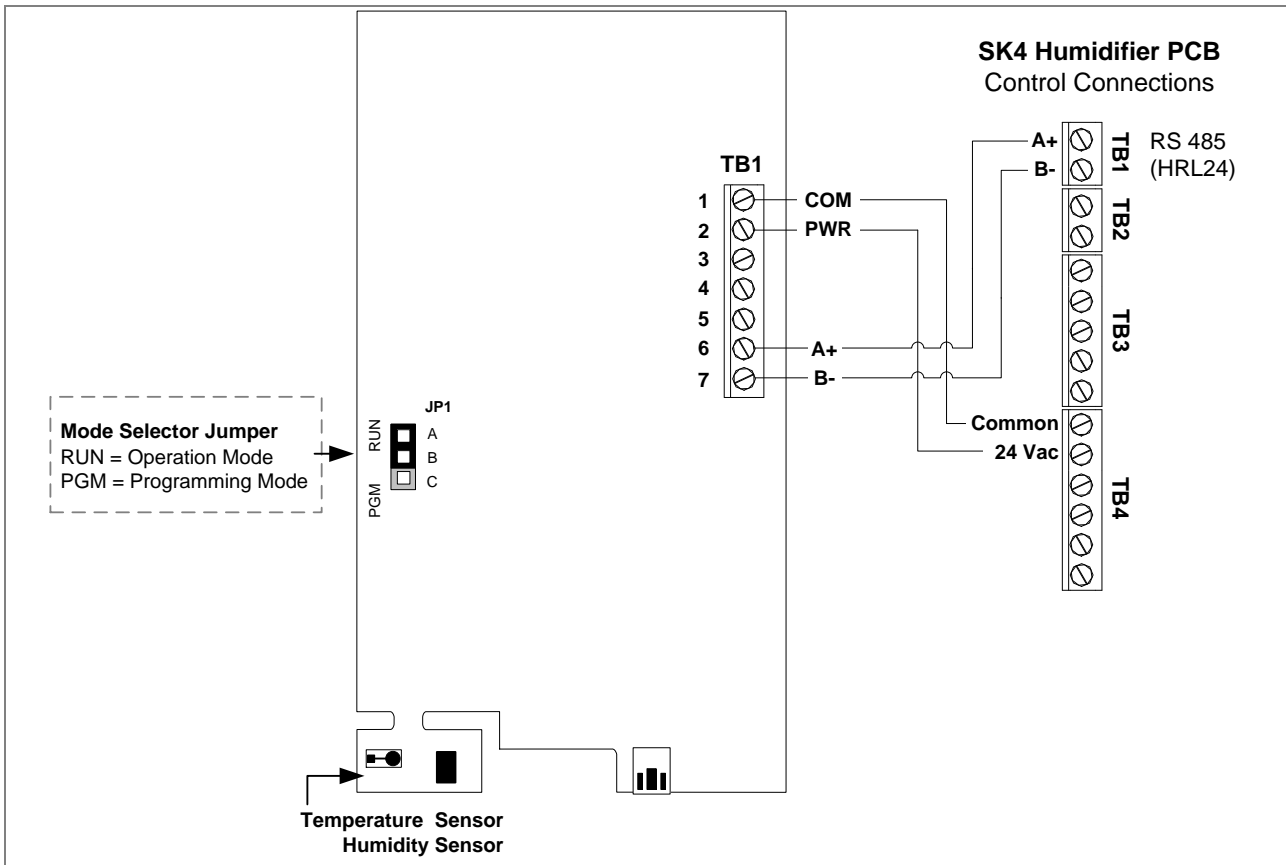
**⚠ CAUTION:** Remove power to avoid a risk of malfunction.

- A. Remove the captive screw that's holding the base and the front cover of the humidistat together.
- B. Lift the front cover of the humidistat to separate it from the base.
- C. Pull all wires through the holes in the base.
- D. Secure the base to the wall using wall anchors and screws (supplied). Make the appropriate connections.
- E. Mount the control module on the base and secure using the screw.



### Wiring

4 wire cable (TB1 #1, 2, 6 & 7)



### Mode Selection (JP1)

<p>JP1</p> <p><input checked="" type="checkbox"/> RUN</p> <p><input type="checkbox"/> PGM</p>	<p><b>RUN:</b> Humidistat is in <b>Operation Mode</b>. Humidistat must be set in this mode to operate properly. If not locked, setpoint can be modified by the end user.</p>
<p>JP1</p> <p><input type="checkbox"/> RUN</p> <p><input checked="" type="checkbox"/> PGM</p>	<p><b>PGM:</b> Humidistat is set in <b>Programming Mode</b>.</p>