



neptronic®

Wall humidity controller for SKR Installation instruction



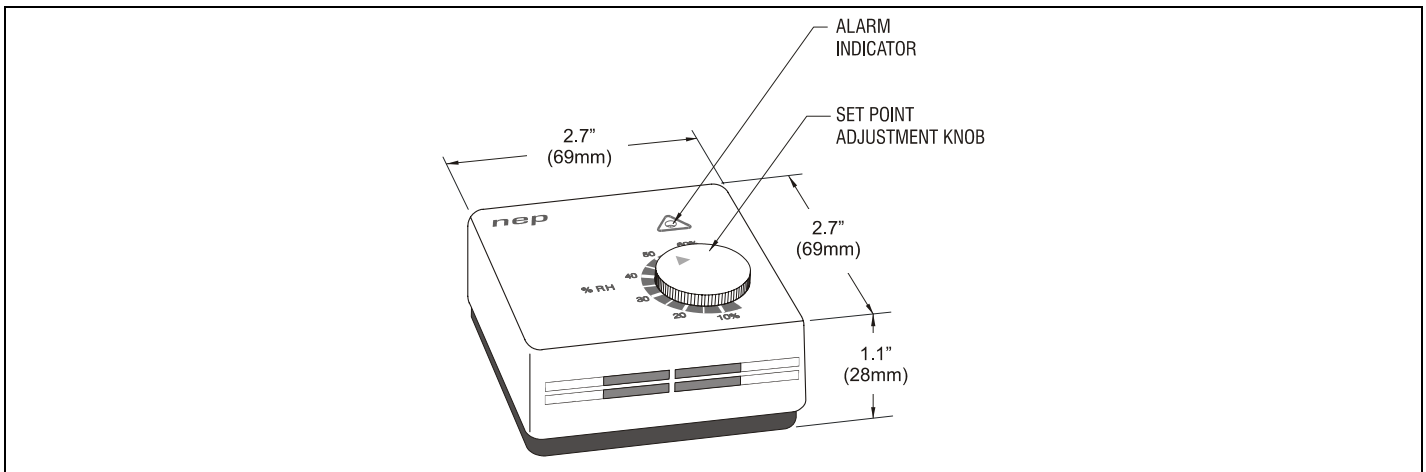
Feature:

- Wall humidity controller
- Mounting plate for wall mount installation

HRR100

Technical Data	HRR100
Connection	Use the cables with jack connectors provided by Neptronic®
Sensor precision	+/- 3% or better at 40% R.H. and 73°F [23° C]
Operating temperature	32°F to 104°F [0° C to 40° C]
Storage temperature	14°F to 122°F [-10° C to +50° C]
Relative Humidity	0 to 95 % R.H.
Set point adjustment	0 to 70 % R.H.
Alarm Status	See SKR series Steam Humidifier Installation instructions & user manual section 16 – Type of alarm
Installation	Install the HRR100 on an inside wall which serve as a reference for the humidity level in the residence or the controlled space.
Weight	0.13lb [60g]

Dimensions



Wiring Diagrams

Connection to SKR humidifier

Connect the wall humidity controller (HRR100) with a cable (included with the humidifier) to the phone jack connector TJ1 on the pc board of the SKR.