**Feature:**

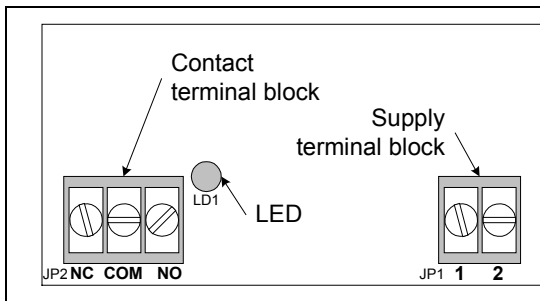
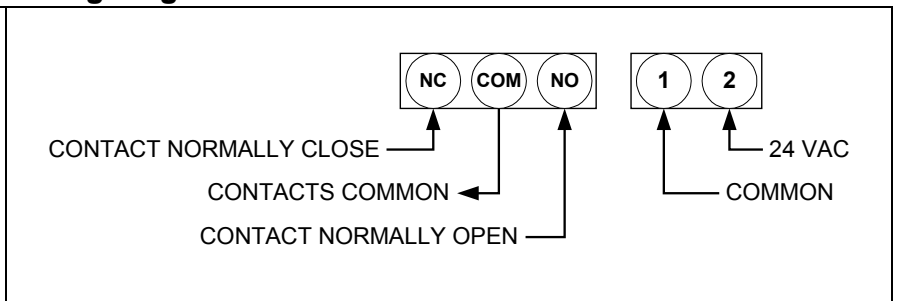
- Adjustment free.
- Easily installation.
- SPDT output relay.
- Indicator light.
- Sensor operation temperature up to 212°F [100°C].

COT100

Technical Data	COT100
Power supply	24 VAC +/-10%
Power consumption	1 VA
Electrical connection	18 AWG minimum on screw terminals
Inlet bushing	5 inlet bushing of 7/8 in [22.2 mm]
Sensor	Thermistor, NTC, Curve A, Encapsulation: black epoxy Temperature max. 212°F [100°C]
Dry contact	1 Amp. @ 24 VDC, 0.5 Amp. @ 120 VAC Resistive load
Set point	Cooling: 73.4°F [23°C], Heating: 78.8°F [26°C]
Hysteresys	5.4°F [3°C]
Ambient temperature	32°F to 122°F [0°C to 50°C]
Storage temperature	0°F to 150°F [-18°C to 66°C]
Relative Humidity	5 to 95 % non condensing.

Dimensions

Dimension	Inches	Metric (mm)
A	0.25	6.4
B	6.75	171.5
C	2.00	50.8
D	4.00	101.6
E	2.00	50.8

PC Board**Wiring Diagrams****Process**

Temperature	Contact NC	Contact NO	LED
T° < 73.4°F [23°C]	Open	Close	Illuminate
T° > 78.8°F [26°C]	Close	Open	Extinguish
73.4°F [23°C] < T° < 78.8°F [26°C]	No change of state		

Caution

We strongly recommend that all neptronic® products be wired to a separate transformer and that transformer shall service only neptronic® products. This precaution will prevent interference with, and/or possible damage to incompatible equipment.