

### Model

**SHR10**

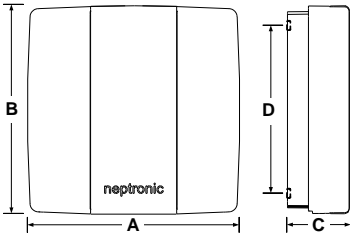
### Features

- Wall mounted humidity sensor
- Built-in temperature sensor
- Plastic cover for wall mount installation
- 2 analog outputs (0-10 Vdc)
- Can be installed in association with Neptronic room (HRO20) humidistat or directly to the Neptronic SK300 / SKE Series Steam humidifier (rev 3.3)



**SHR10**

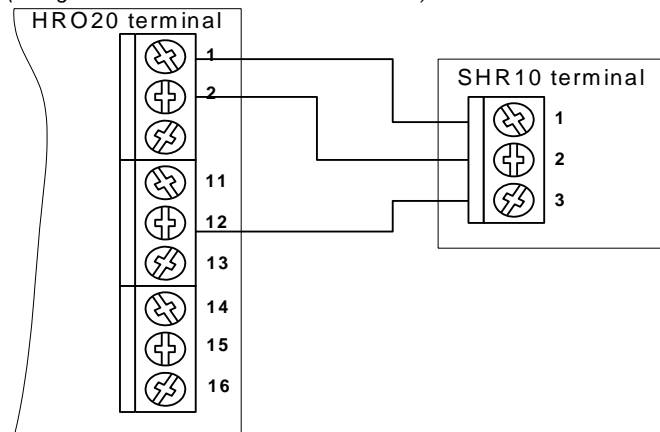
### Technical Specifications

Description	SHR10
Power supply	24 Vac or Vdc +/-10%
Power consumption	1 VA
Electrical connection	18 AWG minimum
Actual humidity output	0-10 Vdc (0-100% RH)
Actual temperature output	0-10 Vdc (0-100°C)
Control accuracy	Humidity: +/- 3%, Temperature: +/- 0.9°F [0.5° C] at 40% RH and 73°F [23° C]
Operating temperature	32°F to 104°F [0° C to 40° C]
Storage temperature	14°F to 122°F [-10° C to +50° C]
Relative Humidity	0 to 95 % RH
Weight	0.13 lb [60 g]
Dimensions A = 3.00"   78mm B = 3.00"   78mm C = 1.00"   24mm D = 2.36"   60mm	
Description of terminal	<ol style="list-style-type: none"> <li>① Common</li> <li>② 24 Vac or Vdc</li> <li>③ 0-10 Vdc output (0-100%RH)</li> <li>④ 0-10 Vdc output (0-100°C)</li> </ol>

### Wiring Diagrams

#### Connection to HRO20

(Along with SK300 or SKE series Humidifier)



**NOTE:** When using the HRO20 with a remote sensor, the remote set point feature will be disabled on the HRO20.

#### Connection to SK300 / SKE

