

Model

SHC80

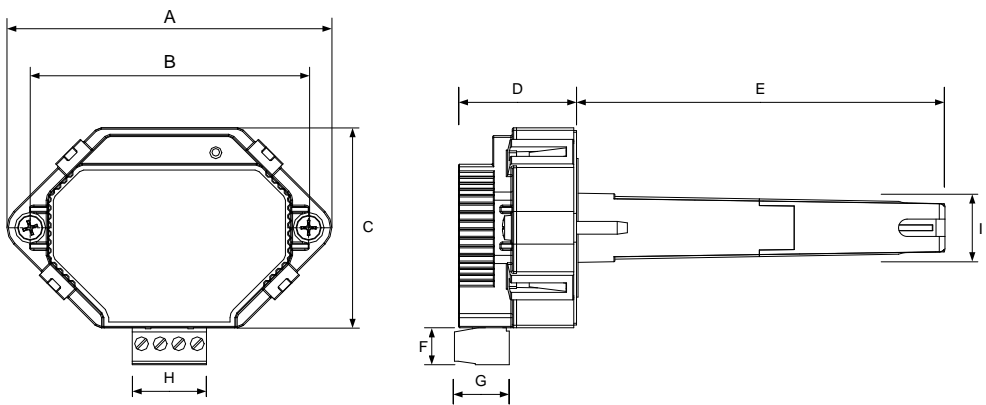
Features

- Duct mounted humidity sensor
- Built-in temperature sensor
- 2 analog outputs (0-10 Vdc)
- Can be installed in association with Neptronic room humidistat (HRO20)
- Status LED



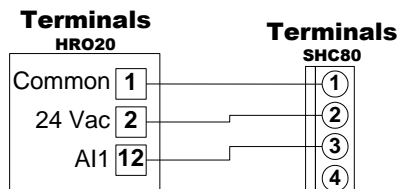
SHC80

Technical Specifications

Description	SHC80
Power supply	24 Vac or Vdc $\pm 10\%$
Power consumption	1 VA
Electrical connection	18 AWG minimum
Actual humidity output	0-10 Vdc (0-100 %RH)
Humidity sensor precision	$\pm 3\%$ at 40 %RH and 23°C [73°F]
Relative Humidity range	0 to 100 %RH
Actual temperature output	0-10 Vdc (0-100°C)
Temperature sensor precision	$\pm 0.4^\circ\text{C}$
Operating temperature	-40°C to 80°C [-40°F to 176°F]
Weight	0.35lb [160g]
Dimensions	 <p> A = 3.50" 89mm B = 3.00" 76mm C = 2.16" 55mm D = 1.30" 33mm E = 3.95" 100mm F = 0.37" 9.5mm G = 0.60" 15mm H = 0.80" 20mm I = 0.75" 19mm </p>

Wiring Diagrams

Connection to HRO20 (Neptronic humidifiers SK series)



Terminal description

