

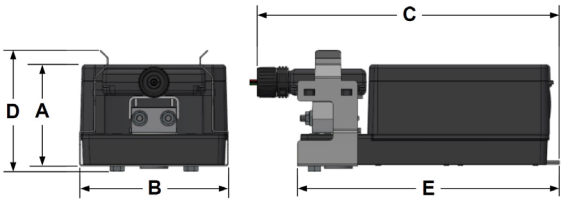
Models

AC2-T: Auxiliary switches for L, T and R actuators.

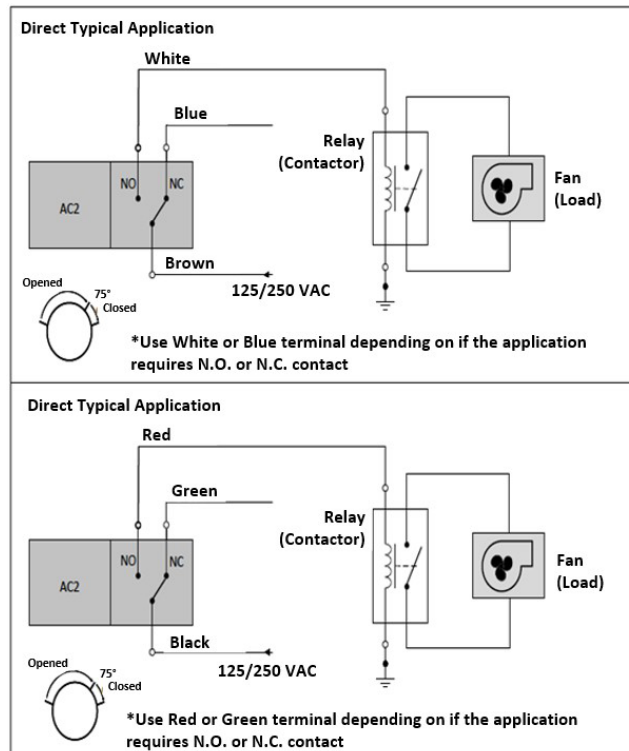


AC2-T

Technical Specification

Description	AC2-T
Actuator Compatibility	Neptronic L, T and R series actuators
Power Supply	125VAC, 5A Resistive or 250VAC, 3A Resistive
Electrical Connection	Cable 39.5" (1m), 6 x 18AWG, FT1 with ½" conduit connector
Purpose and Action of Control	Type 1 operating control
Construction of Control	Independently mounted, accessory
Polution Degree	2
Impulse Voltage	4000V
Dimensions	 <p>A = 3.3" or 3.5" (86mm or 89mm) B = 5.3" (135mm) C = 10.7" (272mm) D = 4.3" (110mm) E = 9.2" (234mm)</p>

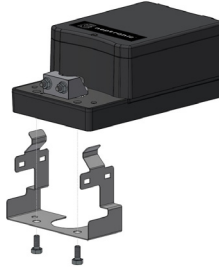
Wiring Diagram



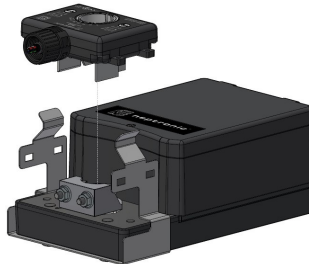
The auxiliary switch comes factory preset: 10° - 80°

Mounting Instruction

1. Slide the bracket onto the actuator and secure it by inserting the two bolts from the bottom into the threaded holes of the actuator (supplied).

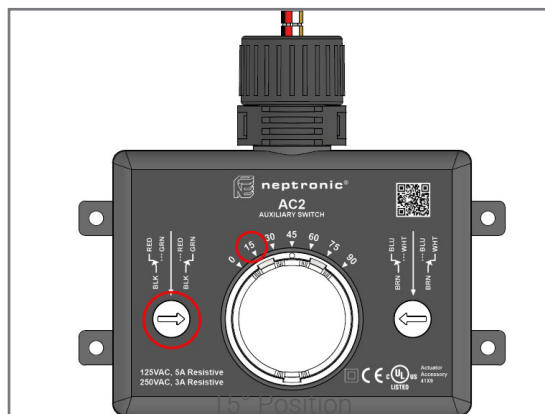


2. Ensure that the AC2 is aligned with the adaptor from the actuator. Align the AC2 with the bracket and press it until it clips in place. Ensure that all 4 protrusions are properly clipped into place.



Actuator Positioning

1. Turn the dial on the auxiliary switch to the desired position for the actuator lower contact.
2. Using a flathead screwdriver, turn the left arrow on the auxiliary switch so that the arrowhead is aligned with the arrow on the wiring diagram.



3. Turn the dial on the auxiliary switch to the desired position for the actuator upper contact.
4. Using a flathead screwdriver, turn the right arrow on the auxiliary switch so that the arrowhead is aligned with the arrow on the wiring diagram.



Recycling at end of life: please return this product to your Neptronic local distributor for recycling. If you need to find the nearest Neptronic authorized distributor, please consult www.neptronic.com.